



**BOARD OF COUNTY COMMISSIONERS  
WARREN COUNTY, OHIO**

*406 Justice Drive, Lebanon, Ohio 45036*

*www.co.warren.oh.us*

*commissioners@co.warren.oh.us*

*Telephone (513) 695-1250*

*Facsimile (513) 695-2054*

**SHANNON JONES  
DAVID G. YOUNG  
TOM GROSSMANN**

24-0284

February 27, 2024

**ENTERING INTO CONTRACT WITH FORD DEVELOPMENT CORP. FOR THE ROACHESTER-COZADDALE ROAD BRIDGE #52-4.02 REHABILITATION PROJECT**

WHEREAS, pursuant to Resolution #24-0189 dated February 06, 2024, this Board approved a Notice of Intent to Award Bid for the Roachester-Cozaddale Road Bridge #52-4.02 Rehabilitation Project to Ford Development Corp., for a total bid price of \$478,171.90; and

WHEREAS, all documentation, including performance bonds, insurance certificates, etc., has been submitted by the contractor.

NOW THEREFORE BE IT RESOLVED, to enter into contract with Ford Development Corp., 11148 Woodward Lane, Cincinnati, Ohio 45241, for a total bid price of \$478,171.90; as attached hereto and made a part hereof.

Mrs. Jones moved for adoption of the foregoing resolution being seconded by Mr. Grossmann. Upon call of the roll, the following vote resulted:

Mr. Young – yea  
Mr. Grossmann – yea  
Mrs. Jones – yea

Resolution adopted this 27<sup>th</sup> day of February 2024.

BOARD OF COUNTY COMMISSIONERS

---

Krystal Powell, Clerk

cc: c/a— Ford Development Corp.  
Engineer (file)  
OMB Bid file



**BOARD OF COUNTY COMMISSIONERS**  
**WARREN COUNTY, OHIO**

406 Justice Drive, Lebanon, Ohio 45036

[www.co.warren.oh.us](http://www.co.warren.oh.us)

[commissioners@co.warren.oh.us](mailto:commissioners@co.warren.oh.us)

Telephone (513) 695-1250

Facsimile (513) 695-2054

**SHANNON JONES**  
**DAVID G. YOUNG**  
**TOM GROSSMANN**

24-0189

February 06, 2024

**APPROVING NOTICE OF INTENT TO AWARD BID TO FORD DEVELOPMENT CORP. FOR THE ROACHESTER-COZADDALE ROAD BRIDGE #52-4.02 REHABILITATION PROJECT**

WHEREAS, bids were closed at 9:30 a.m., on January 23, 2024, and the bids received were opened and read aloud for the Roachester-Cozaddale Road Bridge #52-4.02 Rehabilitation Project, and the results are on file in the Commissioners' Office; and

WHEREAS, upon review of such bids by Roy Henson, Bridge Engineer, Ford Development Corp. has been determined to be the lowest and best bidder.

NOW THEREFORE BE IT RESOLVED, upon recommendation of the Warren County Engineer, that it is the intent of this Board to award the contract to , Ford Development Corp., 11148 Woodward Lane, Cincinnati, Ohio 45241 for a total bid price of \$478,171.90; and

BE IT FURTHER RESOLVED, that the Vice President of the Board is hereby authorized to execute a "Notice of Intent to Award."

Mrs. Jones moved for adoption of the foregoing resolution being seconded by Mr. Grossmann. Upon call of the roll, the following vote resulted:

Mr. Young – absent  
Mr. Grossmann – yea  
Mrs. Jones – yea

Resolution adopted this 6<sup>th</sup> day of February 2024.

**BOARD OF COUNTY COMMISSIONERS**

---

Krystal Powell, Clerk

cc: Engineer (file)  
OMB Bid file



**BOARD OF COUNTY COMMISSIONERS**  
**WARREN COUNTY, OHIO**

*406 Justice Drive, Lebanon, Ohio 45036*

*www.co.warren.oh.us*

*commissioners@co.warren.oh.us*

*Telephone (513) 695-1250*

*Facsimile (513) 695-2054*

**TOM GROSSMANN**  
**SHANNON JONES**  
**DAVID G. YOUNG**

**BID OPENING**

January 23, 2024

**BID OPENING –**

Bids were closed at 9:30 a.m. this 23<sup>rd</sup> day of January and the following bids were received, opened, and read aloud for the Roachester Cozaddale Road Bridge Rehabilitation Project for the Warren County Engineer.

DDK Construction Cincinnati, OH	\$548,867.74
Ford Development Corp. Cincinnati, OH	\$478,171.90
Sunesis Construction West Chester, OH	\$575,866.81
KT Holden Construction Lebanon, OH	\$507,075.39
Eagle Bridge Co. Sidney, OH	\$592,308.65
Cooper's Excavating LLC Winchester, OH	\$554,833.14

Roy Henson, Bridge Engineer, will review bids for a recommendation at a later date.

cc: Bid File

OMB

E/O

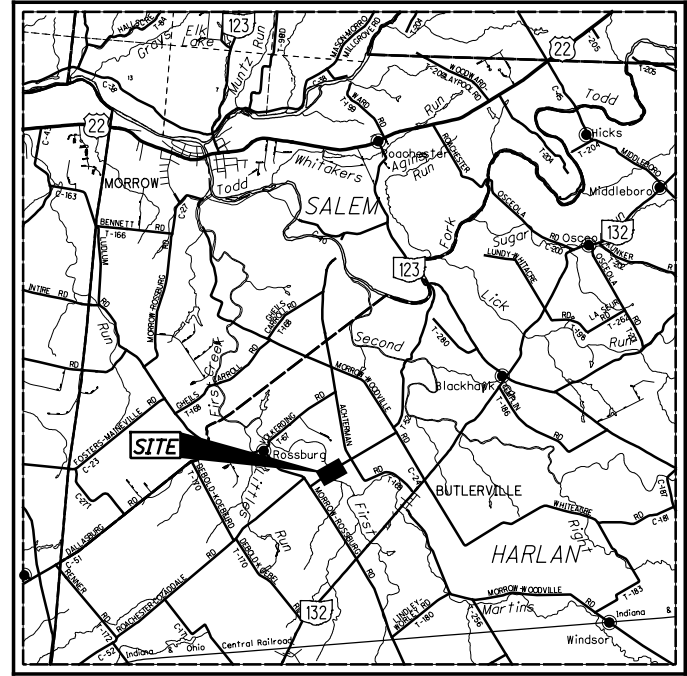
**PLAN HOLDERS LIST**

Roachester – Cozaddale Road Bridge #52-4.02 Rehabilitation Project

**Individuals or companies can be added to the plan holders list by contacting Krystal Powell at [krystal.powell@co.warren.oh.us](mailto:krystal.powell@co.warren.oh.us)**

<b>Name</b>	<b>Company</b>	<b>Phone Number</b>	<b>E-mail Address</b>
Justin Guzzo	Double Z Construction	614-274-2700 ext. 407	<a href="mailto:justinguzzo@doublez.co">justinguzzo@doublez.co</a>
Jenny Foley	Sunesis Construction Co.	513-326-6000	<a href="mailto:jfoley@sunesiscc.com">jfoley@sunesiscc.com</a>
Andrew Kloenne	Ford Development Corporation	513-772-1521	<a href="mailto:Akloenne@Forddevelopment.com">Akloenne@Forddevelopment.com</a>
Tyler Holden	KT Holden Construction LLC	513-200-3432	<a href="mailto:tholden@ktholden.com">tholden@ktholden.com</a>
Tom Schedit	DDK Construction		<a href="mailto:burgerscheidt@aol.com">burgerscheidt@aol.com</a>
Michael Majors	Majors Enterprises Inc.	513-464-6777	<a href="mailto:majors.enterprises@outlook.com">majors.enterprises@outlook.com</a>
Sean Wade	Eagle Bridge Co.	937-492-5654	<a href="mailto:smw@eaglebridge.net">smw@eaglebridge.net</a>
Edmund McVey	Cooper's Excavating LLC	513-310-0414	<a href="mailto:edmund@coopersexc.com">edmund@coopersexc.com</a>

O:\Warren Cnty Eng\018135A.00 - BR\_TR0052-0402\_Roach-Coz\18135\_Design\Roadway\Sheets\18135\_GT001.dgn Sheet 3/30/2023 3:59:16 PM jmelman



**LOCATION MAP**

LATITUDE: 39°18'22" LONGITUDE: 84°06'18"



PORTION TO BE IMPROVED	—————
INTERSTATE HIGHWAY	=====
FEDERAL ROUTES	=====
STATE ROUTES	=====
COUNTY & TOWNSHIP ROADS	-----
OTHER ROADS	-----

**DESIGN DESIGNATION**

CURRENT ADT (2015)	250
DESIGN YEAR ADT (20 )	N/A
DESIGN HOURLY VOLUME (20 )	N/A
DIRECTIONAL DISTRIBUTION	N/A
TRUCKS (24 HOUR B&C)	N/A
DESIGN SPEED	55 MPH
LEGAL SPEED	55 MPH
DESIGN FUNCTIONAL CLASSIFICATION:	
RURAL - LOCAL	
NHS PROJECT	NO

**DESIGN EXCEPTIONS**

SUPERELEVATION RATE, SHOULDER WIDTH, LANE WIDTH, MAXIMUM GRADE, HORIZONTAL CURVE RADIUS, STOPPING SIGHT DISTANCE (HORIZONTAL CURVE)

**UNDERGROUND UTILITIES**  
 Contact Two Working Days Before You Dig  
  
 OHIO811, 8-1-1, or 1-800-362-2764 (Non-members must be called directly)

PLAN PREPARED BY:  
 DESIGN AGENCY  
  
 LJB Inc. • 2500 Newmark Drive  
 Mansburg, OH 45342  
 (937) 259-5000 tel • (937) 259-5100 fax • LJBInc.com

©2012 LJB Inc. All rights reserved. No part of this drawing may be used, reproduced, or modified in any manner without the prior written authorization of LJB Inc. Any such unauthorized use or reproduction of or modification to this drawing is done at the user's own risk and the user agrees to indemnify, defend and hold harmless LJB Inc. from and against any and all claims, liability, and expense, including, but not limited to, reasonable attorney's fees, arising from such use, reproduction or modification.

# WAR-TR 52-4.02 (ROACHESTER- COZADDALE ROAD)

## OVER FIRST CREEK BRIDGE NO. WAR-TR052-0402 HARLAN TOWNSHIP WARREN COUNTY, OHIO

**INDEX OF SHEETS:**

TITLE SHEET	1
TYPICAL SECTIONS	2-3
GENERAL NOTES	4
MAINTENANCE OF TRAFFIC	5-6
GENERAL SUMMARY	7
SUBSUMMARY	8
PLAN AND PROFILE	9
CROSS SECTIONS	10-14
DRIVE DETAILS	15
TRAFFIC CONTROL	16
STRUCTURES	17-28

ENGINEERS SEAL:  
  
 SIGNED: Joseph Mellman  
 DATE: 7/16/2021

STANDARD CONSTRUCTION DRAWINGS				SUPPLEMENTAL SPECIFICATIONS		SPECIAL PROVISIONS	
BP-3.1	1/17/20	DS-1-92	7/18/03	800	1/15/21		
		PSBD-2-07	7/20/18	832	10/19/18		
MGS-1.1	1/19/18	TST-1-99	1/15/21				
MGS-2.1	1/19/18						
MGS-3.1	1/19/18						
MGS-4.2	7/19/13						
MT-101.60	1/17/20						
TC-41.20	10/18/13						
TC-42.20	10/18/13						
TC-51.11	1/15/16						
TC-52.20	1/15/21						

**PROJECT DESCRIPTION**

REPLACE BRIDGE SUPERSTRUCTURE FOR ROACHESTER-COZADDALE ROAD OVER FIRST CREEK, INCLUDING APPROACH ROADWAY WORK.

**EARTH DISTURBED AREAS**

PROJECT EARTH DISTURBED AREA:	.33 ACRES
ESTIMATED CONTRACTOR EARTH DISTURBED AREA:	0.02 ACRES
NOTICE OF INTENT EARTH DISTURBED AREA:	N/A (NOI NOT REQUIRED)

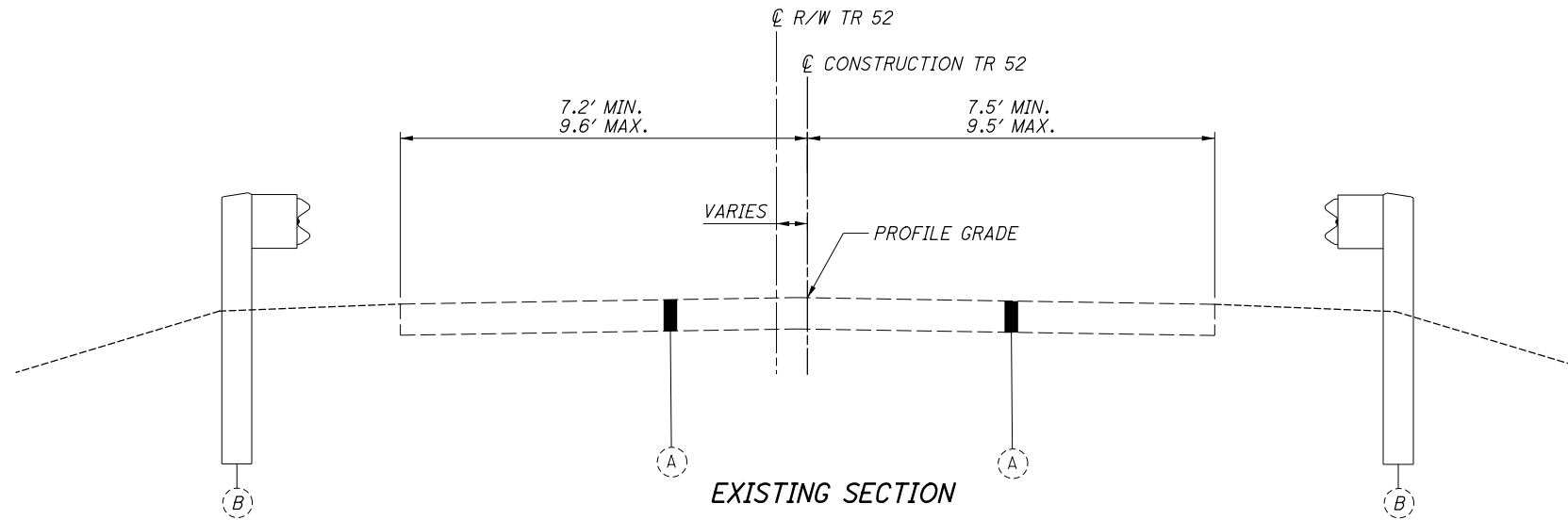
**2019 SPECIFICATIONS**

THE STANDARD SPECIFICATIONS OF THE STATE OF OHIO, DEPARTMENT OF TRANSPORTATION, INCLUDING SUPPLEMENTAL SPECIFICATIONS LISTED IN THE PLANS AND CHANGES LISTED IN THE PROPOSAL SHALL GOVERN THIS IMPROVEMENT.

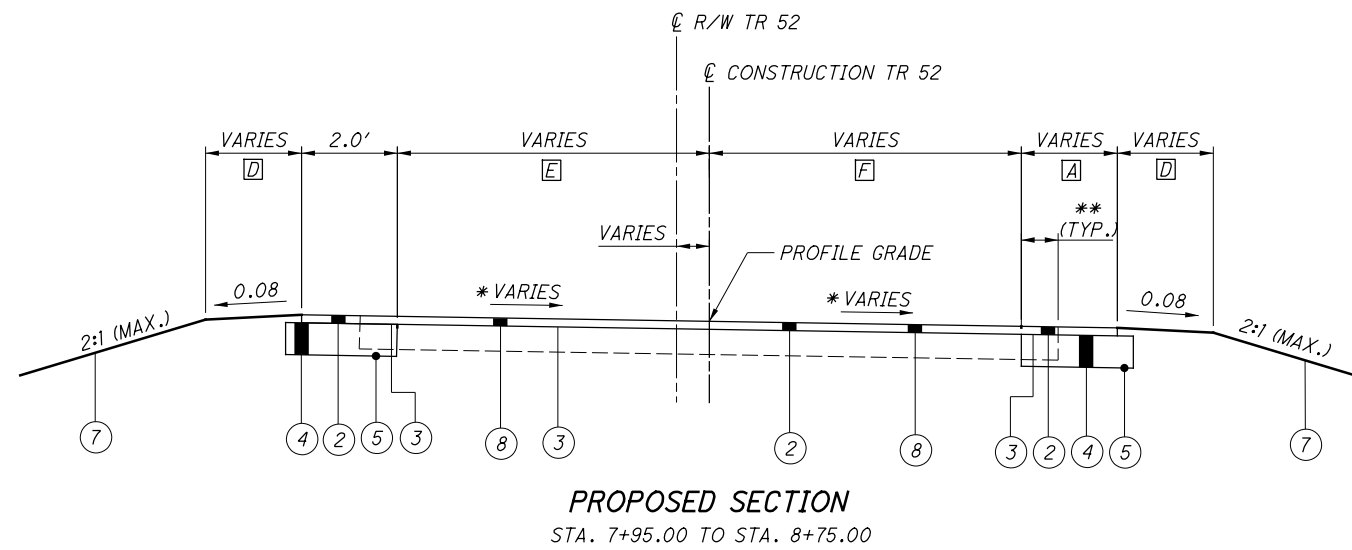
I HEREBY APPROVE THESE PLANS AND DECLARE THAT THE MAKING OF THIS IMPROVEMENT WILL REQUIRE THE CLOSING TO TRAFFIC OF THE HIGHWAY AND THAT DETOURS WILL BE PROVIDED AS INDICATED ON SHEET 6.

APPROVED \_\_\_\_\_  
 DATE \_\_\_\_\_ WARREN COUNTY ENGINEER  
 APPROVED \_\_\_\_\_  
 DATE \_\_\_\_\_ WARREN COUNTY COMMISSIONER  
 APPROVED \_\_\_\_\_  
 DATE \_\_\_\_\_ WARREN COUNTY COMMISSIONER  
 APPROVED \_\_\_\_\_  
 DATE \_\_\_\_\_ WARREN COUNTY COMMISSIONER

FEDERAL PROJECT NO.	N/A
CONSTRUCTION PROJECT NO.	N/A
RAILROAD INVOLVEMENT	NONE
PID NO.	110973
WAR-TR52-4.02	
1/28	



- A** VARIES 2.0' TO 2.1'  
STA. 7+95.00 TO STA. 8+75.00
- B** VARIES 8.6' TO 10.0'  
STA. 8+75.00 TO STA. 9+51.75
- C** VARIES 9.5' TO 10.0'  
STA. 8+75.00 TO STA. 9+05.00
- D** VARIES 0.8' TO 2.0'  
STA. 7+95.00 TO STA. 8+75.00
- E** VARIES 5.2' TO 6.6'  
STA. 7+95.00 TO STA. 8+75.00
- F** VARIES 6.0' TO 7.3'  
STA. 7+95.00 TO STA. 8+75.00

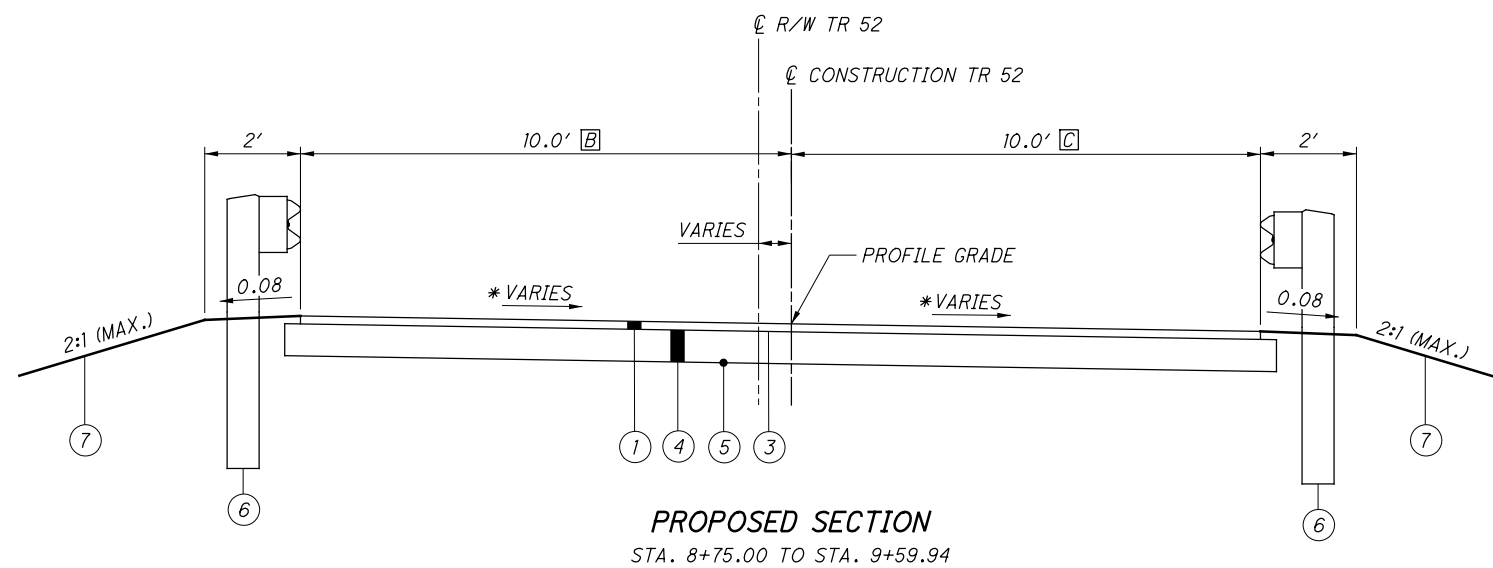


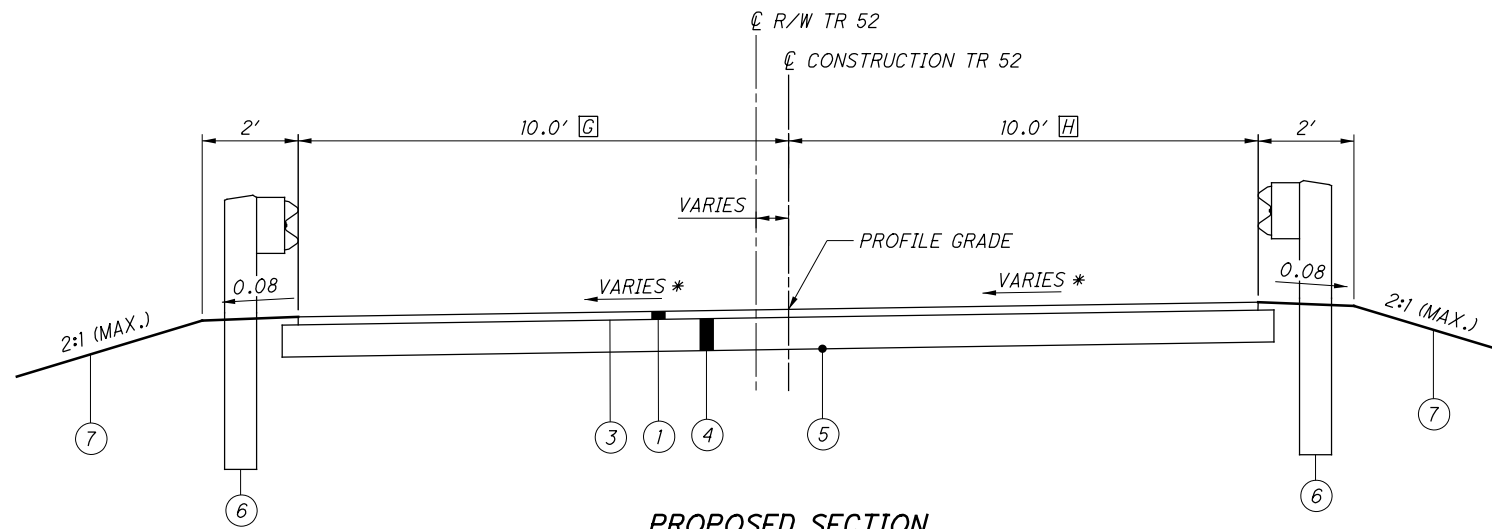
**LEGEND**

- ① ITEM 441 - 2" ASPHALT CONCRETE SURFACE COURSE, TYPE 1, (448) PG64-22
- ② ITEM 441 - VARIABLE DEPTH ASPHALT CONCRETE SURFACE COURSE, TYPE 1, (448) P664-22
- ③ ITEM 407 - TACK COAT (APPLIED AT 0.10 GAL/SY)
- ④ ITEM 301 - 8" ASPHALT CONCRETE BASE, PG 64-22 (APPLY IN TWO EQUAL LIFTS)
- ⑤ ITEM 204 - SUBGRADE COMPACTION
- ⑥ ITEM 606 - GUARDRAIL, TYPE MGS WITH LONG POSTS
- ⑦ ITEM 659 - SEEDING AND MULCHING
- ⑧ ITEM 254 - PAVEMENT PLANING, ASPHALT CONCRETE (T = 2")

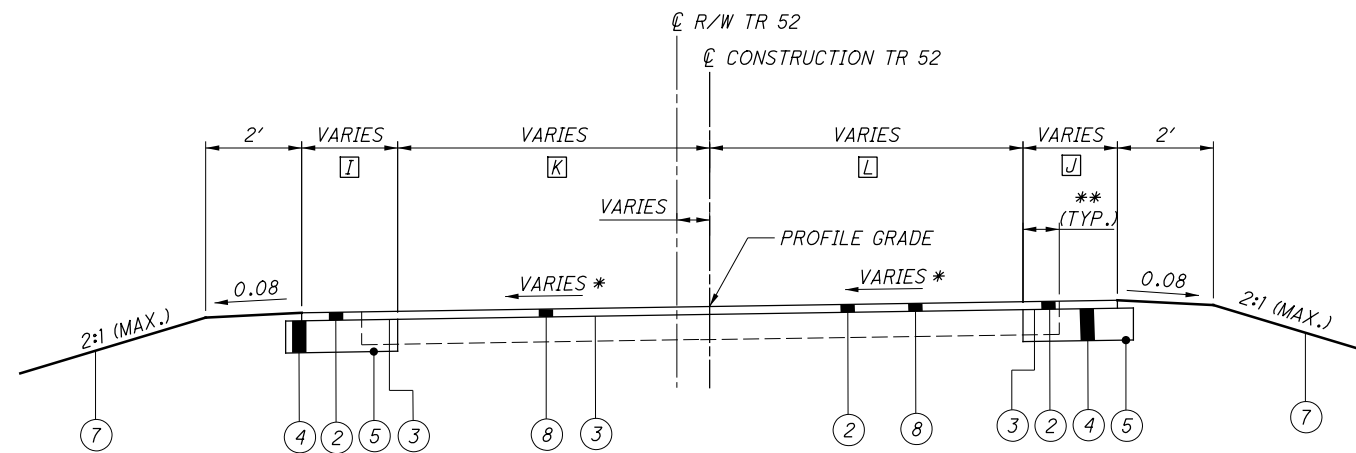
- Ⓐ ASPHALT CONCRETE (THICKNESS VARIES)
- Ⓑ GUARDRAIL

\* SEE SUPERELEVATION TABLE ON SHEET 4.  
\*\* SAWCUT EXISTING PAVEMENT TO SOUND EDGE, 1 FT MIN.

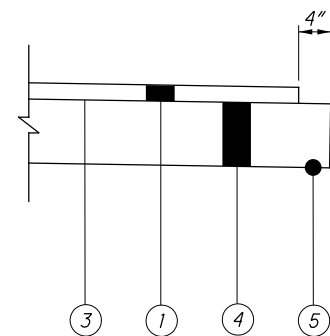




**PROPOSED SECTION**  
STA. 10+40.46 TO STA. 11+50.00



**PROPOSED SECTION**  
STA. 11+50.00 TO STA. 12+26.00



**STEP DETAIL**

- G VARIES 10.0' TO 9.4'  
STA. 10+98.40 TO STA. 11+50.00
- H VARIES 10.0' TO 8.7'  
STA. 10+87.40 TO STA. 11+50.00
- I VARIES 2.6' TO 2.0'  
STA. 11+50.00 TO STA. 12+26.00
- J VARIES 3.2' TO 2.0'  
STA. 11+50.00 TO STA. 12+26.00
- K VARIES 6.8' TO 5.7'  
STA. 11+50.00 TO STA. 12+26.00
- L VARIES 5.5' TO 6.3'  
STA. 11+50.00 TO STA. 11+82.33  
VARIES 6.3' TO 5.5'  
STA. 11+82.33 TO STA. 12+26.00

**LEGEND**

- 1 ITEM 441 - 2" ASPHALT CONCRETE SURFACE COURSE, TYPE 1, (448) P664-22
- 2 ITEM 441 - VARIABLE DEPTH ASPHALT CONCRETE SURFACE COURSE, TYPE 1, (448) P664-22
- 3 ITEM 407 - TACK COAT (APPLIED AT 0.10 GAL/SY)
- 4 ITEM 301 - 8" ASPHALT CONCRETE BASE, PG 64-22 (APPLY IN TWO EQUAL LIFTS)
- 5 ITEM 204 - SUBGRADE COMPACTION
- 6 ITEM 606 - GUARDRAIL, TYPE MGS WITH LONG POSTS
- 7 ITEM 659 - SEEDING AND MULCHING
- 8 ITEM 254 - PAVEMENT PLANING, ASPHALT CONCRETE (T = 2")

\* SEE SUPERELEVATION TABLE ON SHEET 4.  
\*\* SAWCUT EXISTING PAVEMENT TO SOUND EDGE, 1 FT MIN.

**UTILITIES**

LISTED BELOW ARE ALL UTILITIES LOCATED WITHIN THE PROJECT CONSTRUCTION LIMITS TOGETHER WITH THEIR RESPECTIVE OWNERS:

**ELECTRIC:**

DUKE ENERGY  
2010 DANA AVENUE  
ROOM EF 324  
CINCINNATI, OH 45207  
TROY DITTMER  
513-458-3844 (OFFICE)  
513-504-0082 (CELL)

**COMMUNICATION:**

TDS COMMUNICATION  
JEFF WELLS  
616-301-3033

**CABLE TV:**

SPECTRUM  
KENT RIEGER  
513-386-5499 (OFFICE)  
513-233-5678 (CELL)

**WATER:**

WESTERN WATER  
PAUL KILBURN  
513-899-3211 (OFFICE)  
513-490-1367 (CELL)

THE LOCATION OF THE UNDERGROUND UTILITIES SHOWN ON THE PLANS ARE AS OBTAINED FROM THE OWNERS AS REQUIRED BY SECTION 153.64 O.R.C.

**SURVEYING PARAMETERS**

USE THE FOLLOWING PROJECT CONTROL, VERTICAL POSITIONING, AND HORIZONTAL POSITIONING PARAMETERS FOR ALL SURVEYING:

**PROJECT CONTROL**

POSITIONING METHOD: ODOT VRS  
MONUMENT TYPE: VARIES - SEE TABLE

**VERTICAL POSITIONING**

ORTHOMETRIC HEIGHT DATUM: NAVD88  
GEOID: GEOID 12B (CONUS)

**HORIZONTAL POSITIONING**

REFERENCE FRAME: NAD83 (2011)  
ELLIPSOID: GRS80  
MAP PROJECTION: LAMBERT CONFORMAL CONIC  
COORDINATE SYSTEM: OHIO STATE PLANE, SOUTH ZONE (3402)  
COMBINED SCALE FACTOR: 0.99990295  
PROJECT SCALE FACTOR: 1.00009706  
ORIGIN OF COORD. SYSTEM: 0,0

USE THE POSITIONING METHODS AND MONUMENT TYPE USED IN THE ORIGINAL SURVEY TO RESTORE ALL MONUMENTS RELATED TO PRIMARY PROJECT CONTROL THAT ARE DAMAGED OR DESTROYED BY CONSTRUCTION ACTIVITIES. RESTORE THE DAMAGED OR DESTROYED MONUMENTS IN ACCORDANCE WITH CMS 623.

UNITS ARE IN U.S. SURVEY FEET.

**WORK LIMITS**

THE WORK LIMITS SHOWN ON THESE PLANS ARE FOR PHYSICAL CONSTRUCTION ONLY. PROVIDE THE INSTALLATION AND OPERATION OF ALL WORK ZONE TRAFFIC CONTROL AND WORK ZONE TRAFFIC CONTROL DEVICES REQUIRED BY THESE PLANS WHETHER INSIDE OR OUTSIDE THESE WORK LIMITS.

**CLEARING AND GRUBBING**

REMOVE ALL TREES AND STUMPS SPECIFICALLY MARKED FOR REMOVAL WITHIN THE CONSTRUCTION LIMITS UNDER THE LUMP SUM BID FOR ITEM 201, CLEARING AND GRUBBING. THE FOLLOWING IS AN APPROXIMATE ESTIMATE OF THE NUMBER OF TREES AND STUMPS TO BE REMOVED.

SIZES	NO. TREES	NO. STUMPS	TOTAL
12"	2	0	2

**SEEDING AND MULCHING**

THE FOLLOWING QUANTITIES ARE PROVIDED TO PROMOTE GROWTH AND CARE OF PERMANENT SEEDED AREAS:

659, TOPSOIL	80	CU. YD.
659, SEEDING AND MULCHING	720	SQ. YD.
659, REPAIR SEEDING AND MULCHING	36	SQ. YD.

659, COMMERCIAL FERTILIZER	0.1	TON
659, LIME	0.15	ACRES
659, WATER	3.89	M. GAL.

SEEDING AND MULCHING SHALL BE APPLIED TO ALL AREAS OF EXPOSED SOIL BETWEEN THE RIGHT-OF-WAY LINES, AND WITHIN THE CONSTRUCTION LIMITS FOR AREAS OUTSIDE THE RIGHT-OF-WAY LINES COVERED BY WORK AGREEMENT OR SLOPE EASEMENT. QUANTITY CALCULATIONS FOR SEEDING AND MULCHING ARE BASED ON THESE LIMITS.

**ANCHOR ASSEMBLY, MGS TYPE E**

THIS ITEM SHALL CONSIST OF FURNISHING AND INSTALLING ANY OF THE GUARDRAIL END TERMINALS FOR TYPE MGS GUARDRAIL AS LISTED ON ROADWAY ENGINEERING'S WEB PAGE UNDER ROADSIDE SAFETY DEVICES FOR APPROVED GUARDRAIL END TREATMENTS. INSTALLATION SHALL BE AT THE LOCATIONS SPECIFIED IN THE PLANS, IN ACCORDANCE WITH THE MANUFACTURER'S SPECIFICATIONS.

THE FACE OF THE TYPE E IMPACT HEAD SHALL BE COVERED WITH A SHEET OF TYPE J, ASTM D4956 TYPE XI REFLECTIVE SHEETING, PER CMS 730.193.

REFER TO THE MANUFACTURER'S INSTRUCTIONS REGARDING THE INSTALLATION OF, AND THE GRADING AROUND THE FOUNDATION TUBES AND GROUND STRUT. THE TOP OF ANY FOUNDATION TUBE SHOULD BE LESS THAN 4 INCHES ABOVE THE GROUND. THE PLACEMENT OF THE FOUNDATION TUBES SHOULD BE AN APPROPRIATE DEPTH BELOW THE LEVEL LINE IN ORDER TO MAINTAIN THE FINISHED GUARDRAIL HEIGHT OF 31 INCHES FROM THE EDGE OF THE SHOULDER.

ON-SITE GRADING IS REQUIRED IF THE TOP OF THE FOUNDATION TUBES OR TOP OF THE GROUND STRUT DOES PROJECT MORE THAN 4 INCHES ABOVE THE GROUND LINE.

PAYMENT FOR THE ABOVE WORK SHALL BE MADE AT THE UNIT PRICE BID FOR ITEM 606, ANCHOR ASSEMBLY, MGS TYPE E, EACH, AND SHALL INCLUDE ALL LABOR, TOOLS, EQUIPMENT AND MATERIALS NECESSARY TO CONSTRUCT A COMPLETE AND FUNCTIONAL ANCHOR ASSEMBLY SYSTEM, INCLUDING ALL RELATED TRANSITIONS, REFLECTIVE SHEETING, HARDWARE, GRADING, EMBANKMENT AND EXCAVATION NOT SEPERATELY SPECIFIED, AS REQUIRED BY THE MANUFACTURER.

**RESIDENTIAL DRIVES**

ITEM 441 - 1/4" ASPHALT CONCRETE SURFACE COURSE, TYPE 1, (448), PG64-22  
ITEM 407 - TACK COAT (APPLIED AT 0.10 GAL/SY)  
ITEM 301 - 3 1/2" ASPHALT CONCRETE BASE, PG64-22

**EXISTING PLANS**

EXISTING PLANS ENTITLED WA 52-4.02-85 MAY BE INSPECTED IN THE WARREN COUNTY ENGINEER'S OFFICE AT 210 W MAIN ST, LEBANON, OH 45036.

GRID AND GROUND COORDINATES FOR CONTROL POINTS						
ID	GRID		GROUND		ELEVATION	DESCRIPTION
	NORTHING	EASTING	NORTHING	EASTING		
S1	480209.714	1514807.722	480256.323	1514954.748	836.74	Iron Pin w/ Cap
S2	480668.307	1515565.604	480714.960	1515712.704	849.98	Iron Pin w/ Cap
S3	480061.878	1514568.407	480108.473	1514715.410	825.70	Iron Pin w/ Cap
S4	479875.058	1514452.441	479921.634	1514599.433	812.43	Iron Pin w/ Cap
S5	479812.651	1514243.848	479859.221	1514390.820	816.01	Iron Pin w/ Cap
S6	479607.846	1514008.234	479654.396	1514155.183	839.42	Iron Pin w/ Cap

SUPERELEVATION TABLE - CURVE 1												
LEFT SIDE					CENTERLINE CONTROL			RIGHT SIDE				
EDGE ELEVATION	TRANSITION RATE	ELEVATION CORRECTION	CROSS SLOPE	WIDTH	STATION	PROFILE GRADE	WIDTH	CROSS SLOPE	ELEVATION CORRECTION	TRANSITION RATE	EDGE ELEVATION	REMARKS
825.88	1630:1	0.07	0.010	7.15	7+95.00	825.81	7.99	-0.039	-0.31	16765:1	825.50	EXISTING
825.25		0.07	0.010	7.25	8+00.00	825.18	8.09	-0.039	-0.32		824.86	
822.36		0.09	0.012	7.70	8+25.00	822.27	8.55	-0.039	-0.34		821.93	
819.97		0.11	0.013	8.15	8+50.00	819.86	9.00	-0.040	-0.36		819.50	
818.08		0.13	0.015	8.61	8+75.00	817.95	9.45	-0.040	-0.38		817.57	
816.79		0.14	0.016	9.01	8+97.54	816.65	9.86	-0.040	-0.39		816.26	PC
816.68	144:1	0.15	0.016	9.01	9+00.00	816.53	9.90	-0.040	-0.40	198:1	816.13	
816.16		0.15	0.017	9.11	9+12.50	816.01	10.00	-0.040	-0.40		815.61	
815.70		0.08	0.008	9.21	9+25.00	815.62	10.00	-0.034	-0.34		815.28	
814.93		-0.09	-0.009	9.93	9+50.00	815.02	10.00	-0.021	-0.21		814.81	
814.63		-0.16	-0.016	10.00	9+59.94	814.79	10.00	-0.016	-0.16		814.63	PT/ NC

SUPERELEVATION TABLE - CURVE 2												
LEFT SIDE					CENTERLINE CONTROL			RIGHT SIDE				
EDGE ELEVATION	TRANSITION RATE	ELEVATION CORRECTION	CROSS SLOPE	WIDTH	STATION	PROFILE GRADE	WIDTH	CROSS SLOPE	ELEVATION CORRECTION	TRANSITION RATE	EDGE ELEVATION	REMARKS
814.51	313:1	-0.16	-0.016	10.00	10+40.46	814.67	10.00	-0.016	-0.16	143:1	814.51	PC/ NC
814.25		-0.19	-0.019	10.00	10+50.00	814.44	10.00	-0.009	-0.09		814.35	
813.58		-0.27	-0.027	10.00	10+75.00	813.85	10.00	0.008	0.08		813.93	
812.91		-0.35	-0.035	9.99	11+00.00	813.26	9.67	0.026	0.25		813.51	
812.53		-0.42	-0.043	9.79	11+25.00	812.95	9.11	0.043	0.39		813.34	
812.67		-0.37	-0.039	9.36	11+50.00	813.04	8.67	0.026	0.23		813.27	
813.23	645:1	-0.31	-0.035	8.71	11+75.00	813.54	8.36	0.009	0.08	148:1	813.62	
813.47		-0.29	-0.034	8.48	11+82.31	813.76	8.29	0.004	0.03		813.79	PT
814.18		-0.26	-0.031	8.15	12+00.00	814.44	7.95	-0.008	-0.06		814.38	
815.54		-0.21	-0.027	7.69	12+25.00	815.75	7.50	-0.025	-0.19		815.56	
815.60		-0.21	-0.027	7.68	12+26.00	815.81	7.48	-0.025	-0.19		815.62	EXISTING

CALCULATED  
NRP  
CHECKED  
JLM

GENERAL NOTES

WAR-TR52-4.02

O:\Warren Cnty Eng\018135A.00 - BR\_TR0052-0402\_Roach-Coz\18135\_Design\Roadway\Sheets\18135\_GN001.dgn Sheet 3/30/2023 3:59:24 PM jmelman



O:\Warren\_Cnty\_Eng\018135A.00 - BR\_TR0052-0402\_Roach-Coz\18135\_Design\M01\_Sheets\18135\_MN001.dgn\_Sheet\_3/30/2023 3:59:25 PM\_jmellman

**ITEM 614, MAINTAINING TRAFFIC**

A MINIMUM OF ONE LANE OF TRAFFIC IN EACH DIRECTION SHALL BE MAINTAINED AT ALL TIMES, EXCEPT FOR A PERIOD NOT TO EXCEED 90 CONSECUTIVE CALENDAR DAYS, WHEN THROUGH TRAFFIC MAY BE DETOURED AS SHOWN ON SHEET 6. LIQUIDATED DAMAGES SHALL BE ASSESSED PER CMS 108.07 FOR EACH CALENDAR DAY THE ROADWAY REMAINS CLOSED TO TRAFFIC BEYOND THE SPECIFIED LIMIT.

LENGTH AND DURATION OF LANE CLOSURES AND RESTRICTIONS SHALL BE AT THE APPROVAL OF THE ENGINEER. IT IS THE INTENT TO MINIMIZE THE IMPACT TO THE TRAVELING PUBLIC. LANE CLOSURES OR RESTRICTIONS OVER SEGMENTS OF THE PROJECT IN WHICH NO WORK IS ANTICIPATED WITHIN A REASONABLE TIME FRAME, AS DETERMINED BY THE ENGINEER, SHALL NOT BE PERMITTED. THE LEVEL OF UTILIZATION OF MAINTENANCE OF TRAFFIC DEVICES SHALL BE COMMENSURATE WITH THE WORK IN PROGRESS.

NOTICE OF CLOSURE SIGNS (W20-H13) SHALL BE ERECTED BY THE CONTRACTOR TWO WEEKS PRIOR TO THE SCHEDULED ROAD CLOSURE. ACCESS TO DRIVEWAYS SHOULD BE MAINTAINED AT ALL TIMES.

ROAD WILL BE  
CLOSED  
FOR 90 DAYS  
INFO: 513-695-3301

W20-H13-60

THE SIGNS SHALL BE ERECTED ON THE RIGHT-HAND SIDE OF THE ROAD FACING TRAFFIC. THEY SHALL BE PLACED SO AS NOT TO INTERFERE WITH THE VISIBILITY OF ANY OTHER TRAFFIC CONTROL SIGNS. ON ROADWAYS, THEY SHOULD BE ERECTED AT OR NEAR THE POINT OF CLOSURE.

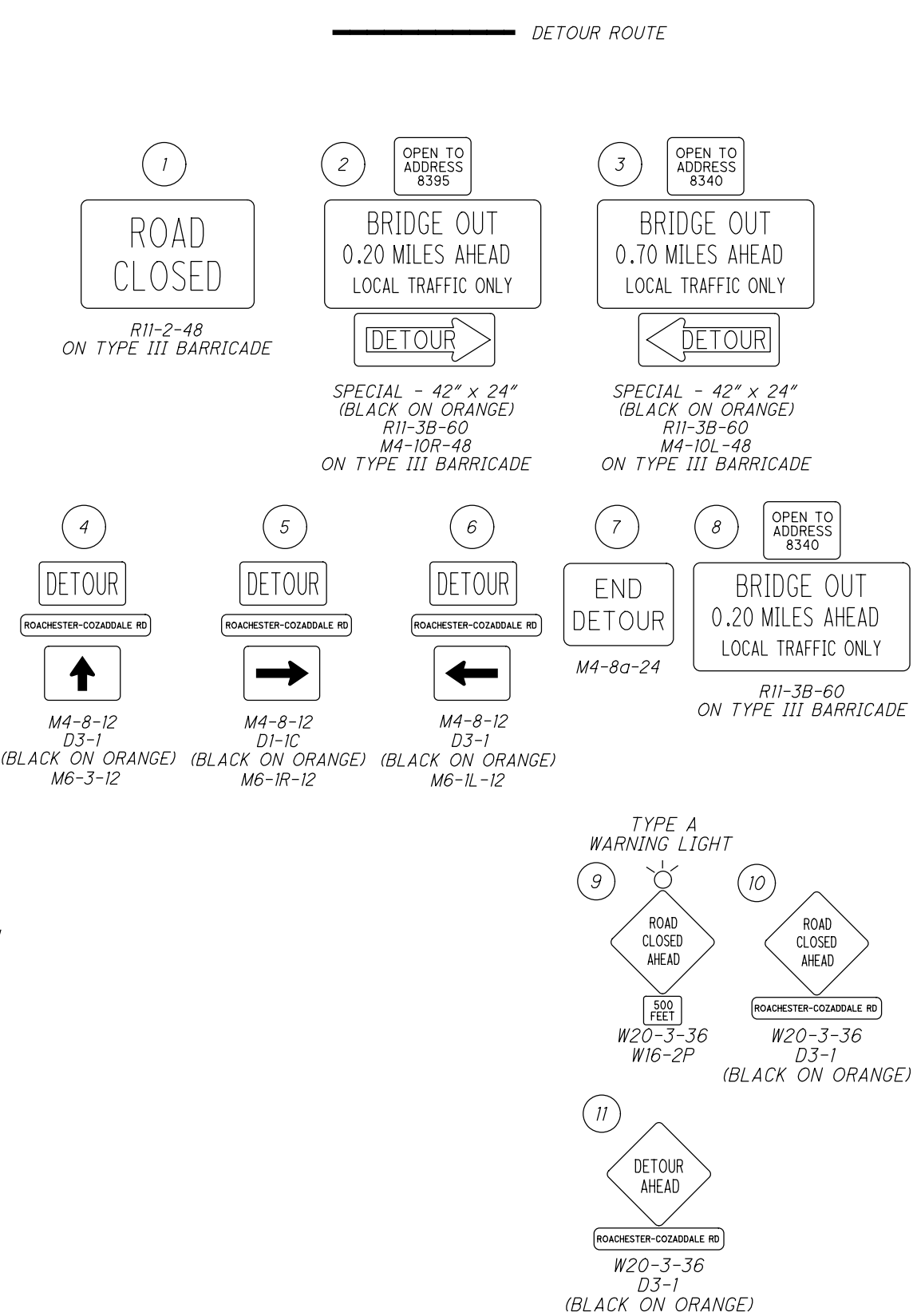
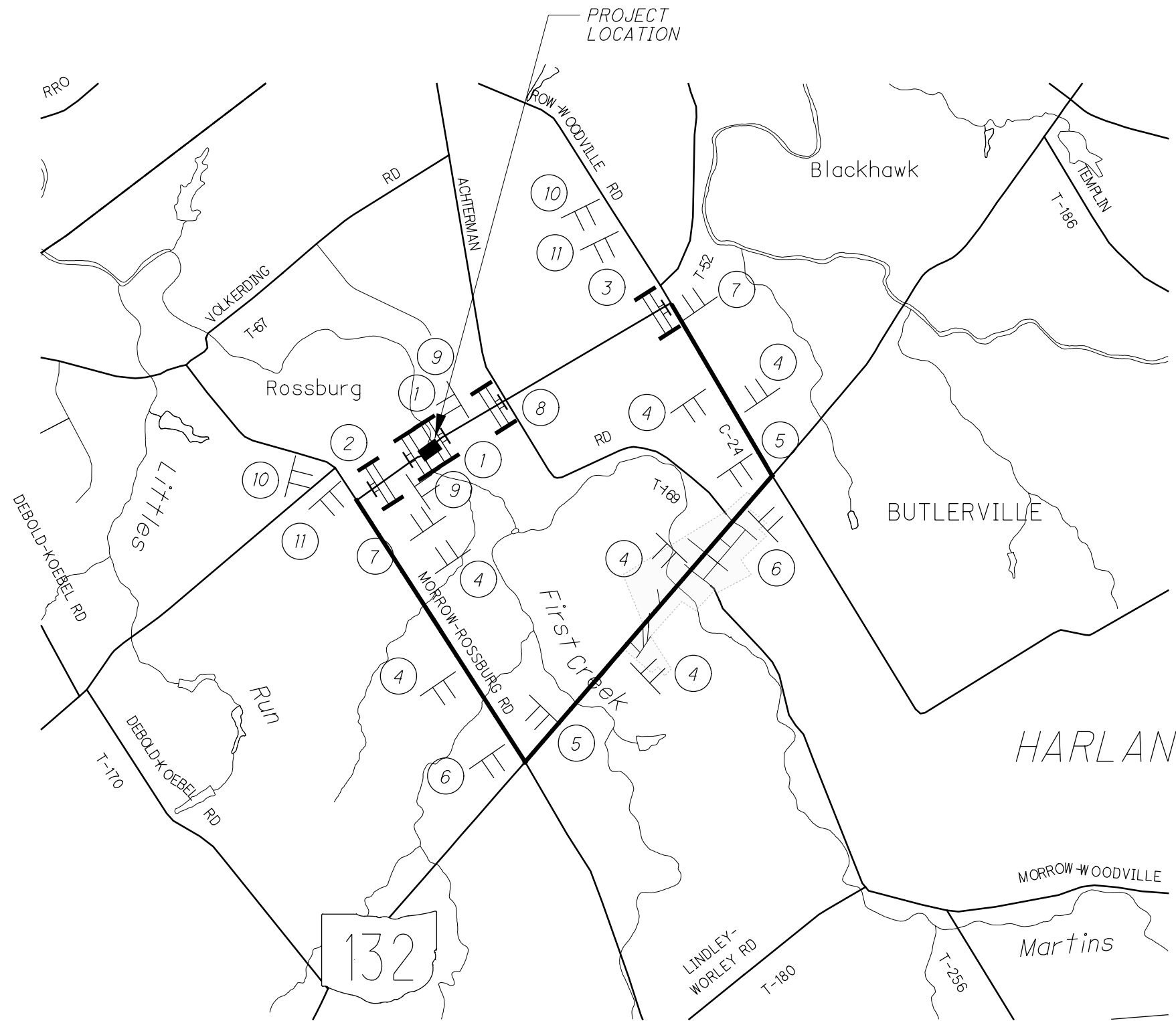
ALL WORK AND TRAFFIC CONTROL DEVICES SHALL BE IN ACCORDANCE WITH C&MS 614 AND OTHER APPLICABLE PORTIONS OF THE SPECIFICATIONS, AS WELL AS THE OHIO MANUAL OF UNIFORM TRAFFIC CONTROL DEVICES. PAYMENT FOR ALL LABOR, EQUIPMENT AND MATERIALS SHALL BE INCLUDED IN THE LUMP SUM CONTRACT PRICE FOR ITEM 614, MAINTAINING TRAFFIC, UNLESS SEPARATELY ITEMIZED IN THE PLAN.

CALCULATED  
RSH  
CHECKED  
JLM

MAINTENANCE OF TRAFFIC GENERAL NOTES

WAR-TR52-4.02

O:\Warren Cnty Eng\018135A.00 - BR\_TR0052-0402\_Roach-Coz\18135\_Sheets\18135\_MDOT\_Sheets\18135\_MDOT.dgn\_Sheet 3/30/2023 3:59:26 PM jmeliman



O:\Warren\_Cnty\_Eng\018135A.00 - BR\_TR0052-0402\_Roach-Coz\18135\Design\Roadway\Sheets\18135\_GG001.dgn\_Sheet 3/30/2023 3:59:27 PM jmeliman

SHEET NUM.											PART.	ITEM	ITEM	GRAND	UNIT	DESCRIPTION	SEE SHEET NO.	CALCULATED NRP	CHECKED JLM
OFFICE CALCS	8	4	10								EXT	TOTAL							
															<b>ROADWAY</b>				
											201	11000	LS		CLEARING AND GRUBBING				
	448										202	23000	448	SY	PAVEMENT REMOVED, ASPHALT				
	31										202	35100	31	FT	PIPE REMOVED, 24" AND UNDER				
	248										202	38000	248	FT	GUARDRAIL REMOVED				
			68								203	10000	68	CY	EXCAVATION				
			124								203	20000	124	CY	EMBANKMENT				
	100										606	15100	100	FT	GUARDRAIL, TYPE MGS WITH LONG POSTS				
	4										606	35002	4	EACH	MGS BRIDGE TERMINAL ASSEMBLY, TYPE 1 (LONG POSTS)				
	4										606	26100	4	EACH	ANCHOR ASSEMBLY, TYPE E (LONG POSTS)				
	8										626	00110	8	EACH	BARRIER REFLECTOR, TYPE 2 (BI-DIRECTIONAL)				
	1										SPECIAL	69050350	1	EACH	MAILBOX REMOVED AND RESET	9			
															<b>EROSION CONTROL</b>				
		80									659	00300	80	CY	TOPSOIL				
		720									659	10000	720	SY	SEEDING AND MULCHING				
		36									659	14000	36	SY	REPAIR SEEDING AND MULCHING				
		0.1									659	20000	0.1	TON	COMMERCIAL FERTILIZER				
		0.15									659	31000	0.15	ACRE	LIME				
		3.89									659	35000	3.89	MGAL	WATER				
											832	30000	5,000	EACH	EROSION CONTROL				
															<b>DRAINAGE</b>				
	35										611	07900	35	FT	18" CONDUIT, TYPE D, 706.02				
															<b>PAVEMENT</b>				
560											204	10000	560	SY	SUBGRADE COMPACTION				
214											254	01000	214	SY	PAVEMENT PLANING, ASPHALT CONCRETE (T = 2")				
119											301	46000	119	CY	ASPHALT CONCRETE BASE, PG64-22				
75											407	10000	75	GAL	TACK COAT				
47											441	50000	47	CY	ASPHALT CONCRETE SURFACE COURSE, TYPE 1, (448), PG64-22				
															<b>TRAFFIC CONTROL</b>				
	90										630	03100	90	FT	GROUND MOUNTED SUPPORT, NO. 3 POST				
	16										630	80100	16	SF	SIGN, FLAT SHEET				
	17										630	84900	17	EACH	REMOVAL OF GROUND MOUNTED SIGN AND DISPOSAL				
	2										630	85000	2	EACH	REMOVAL OF GROUND MOUNTED SIGN AND STORAGE				
	15										630	86002	15	EACH	REMOVAL OF GROUND MOUNTED POST SUPPORT AND DISPOSAL				
															STRUCTURE OVER 20 FOOT SPAN (BRIDGE NO. WAR-TR52-0402)				
															FOR ESTIMATED QUANTITIES, SHEET SHEET 19				
															<b>INCIDENTALS</b>				
											614	11000	LS		MAINTAINING TRAFFIC				
											623	10000	LS		CONSTRUCTION LAYOUT STAKES AND SURVEYING				
											624	10000	LS		MOBILIZATION				

**GENERAL SUMMARY**

**WAR-TR52-4.02**

O:\Warren Cnty Eng\018135A.00 - BR\_TR0052-0402\_Roach-Coz\18135\_Design\Roadway\Sheets\18135\_GS001.dgn Sheet 3/30/2023 3:59:29 PM jmeliman

REF NO.	SHEET NO.	STATION TO STATION				202	202	202		606	606	606		626		611		630	630	630	630	630		SPECIAL		
		PAVEMENT REMOVED	PIPE REMOVED, 24" AND UNDER	GUARDRAIL REMOVED		GUARDRAIL, TYPE MGS WITH LONG POSTS	MGS BRIDGE TERMINAL ASSEMBLY, TYPE 1	ANCHOR ASSEMBLY, TYPE E		BARRIER REFLECTOR, TYPE 2		18" CONDUIT, TYPE D, 706.02		GROUND MOUNTED SUPPORT, NO. 3 POST	SIGN, FLAT SHEET	REMOVAL OF GROUND MOUNTED SIGN AND DISPOSAL	REMOVAL OF GROUND MOUNTED SIGN AND STORAGE	REMOVAL OF GROUND MOUNTED POST SUPPORT AND DISPOSAL		MAILBOX REMOVED AND RESET						
		SY	FT	FT		FT	EACH	EACH		EACH		FT	FT	SF	EACH	EACH	EACH		EACH							
R-1	9	7+95.00	℄	TO	9+59.94	℄	189																			
R-2	9	10+40.06	℄	TO	12+26.00	℄	217																			
R-3	9	12+07.38	RT				42																			
R-4	9	9+16.81	LT	TO	9+59.67	LT																				
R-5	9	8+92.00	RT	TO	9+59.64	RT																				
R-6	9	10+39.28	LT	TO	11+07.64	LT																				
R-7	9	10+39.26	RT	TO	11+07.30	RT																				
R-8	9	11+87.69	RT	TO	12+18.74	RT																				
GR-1	9	8+74.58	LT	TO	9+60.56	LT			12.5	1	1															
GR-2	9	8+42.17	RT	TO	9+60.56	RT			37.5	1	1															
GR-3	9	10+39.44	LT	TO	11+51.95	LT			37.5	1	1															
GR-4	9	10+39.44	RT	TO	11+05.43	RT			12.5	1	1															
D-1	9	11+87.69	RT	TO	12+22.88	RT																				
MB-1	9	11+97.00	RT																							
SN1	16	9+20	LT																							
SN2	16	9+41	LT																							
SN3	16	10+49	LT																							
SN4	16	10+91	LT																							
SN5	16	10+79	LT																							
SN6	16	11+06	LT																							
SN7	16	11+08	LT																							
SN8	16	7+89	RT																							
SN9	16	8+59	RT																							
SN10	16	9+03	RT																							
SN11	16	9+35	RT																							
SN12	16	9+53	RT																							
SN13	16	10+78	RT																							
SN14	16	11+07	RT																							
<b>TOTALS CARRIED TO GENERAL SUMMARY</b>							448	31	248																	

<table border="1" style="width: 100%; border-collapse: collapse;"> <tr> <td style="text-align: center;">CALCULATED</td> <td style="text-align: center;">NRP</td> <td style="text-align: center;">CHECKED</td> <td style="text-align: center;">JLM</td> </tr> </table>	CALCULATED	NRP	CHECKED	JLM	SUBSUMMARY
CALCULATED	NRP	CHECKED	JLM		
<table border="1" style="width: 100%; border-collapse: collapse;"> <tr> <td style="text-align: center; font-weight: bold; font-size: 1.2em;">WAR - TR52 - 4.02</td> </tr> </table>	WAR - TR52 - 4.02	<table border="1" style="width: 100%; border-collapse: collapse;"> <tr> <td style="text-align: center; font-weight: bold; font-size: 1.2em;">8</td> </tr> <tr> <td style="text-align: center; font-weight: bold; font-size: 1.2em;">28</td> </tr> </table>	8	28	
WAR - TR52 - 4.02					
8					
28					

**CURVE 1**  
 P.I. STA. 9+29.10  
 $\Delta = 21^{\circ}12'55''$   
 $D_c = 34^{\circ}00'00''$   
 $R = 168.52'$   
 $T = 31.56'$   
 $L = 62.40'$   
 $E = 2.93'$   
 PC = STA. 8+97.54  
 PT = STA. 9+59.94

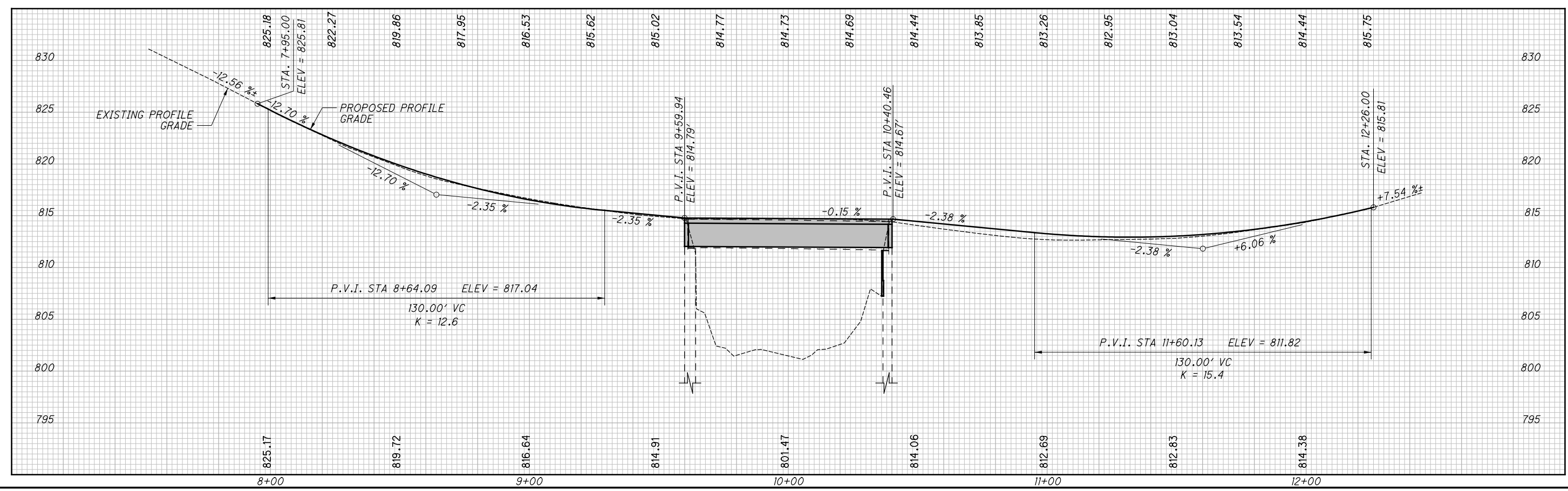
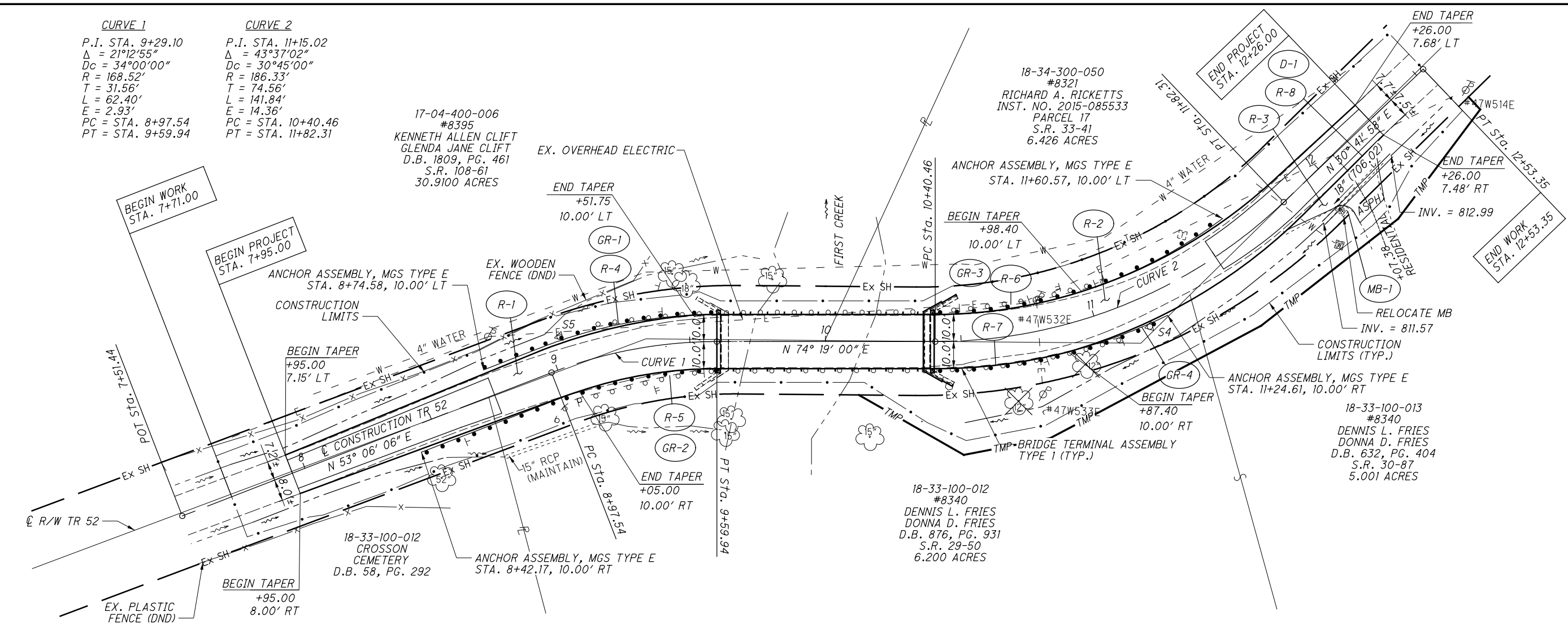
**CURVE 2**  
 P.I. STA. 11+15.02  
 $\Delta = 43^{\circ}37'02''$   
 $D_c = 30^{\circ}45'00''$   
 $R = 186.33'$   
 $T = 74.56'$   
 $L = 141.84'$   
 $E = 14.36'$   
 PC = STA. 10+40.46  
 PT = STA. 11+82.31

17-04-400-006  
 #8395  
 KENNETH ALLEN CLIFT  
 GLENDA JANE CLIFT  
 D.B. 1809, PG. 461  
 S.R. 108-61  
 30.9100 ACRES

18-34-300-050  
 #8321  
 RICHARD A. RICKETTS  
 INST. NO. 2015-085533  
 PARCEL 17  
 S.R. 33-41  
 6.426 ACRES

18-33-100-012  
 #8340  
 DENNIS L. FRIES  
 DONNA D. FRIES  
 D.B. 876, PG. 931  
 S.R. 29-50  
 6.200 ACRES

18-33-100-013  
 #8340  
 DENNIS L. FRIES  
 DONNA D. FRIES  
 D.B. 632, PG. 404  
 S.R. 30-87  
 5.001 ACRES



North arrow pointing up. Scale: 1" = 40' HORIZONTAL, 1" = 4' VERTICAL. Calculated by NRP, Checked by JLM.

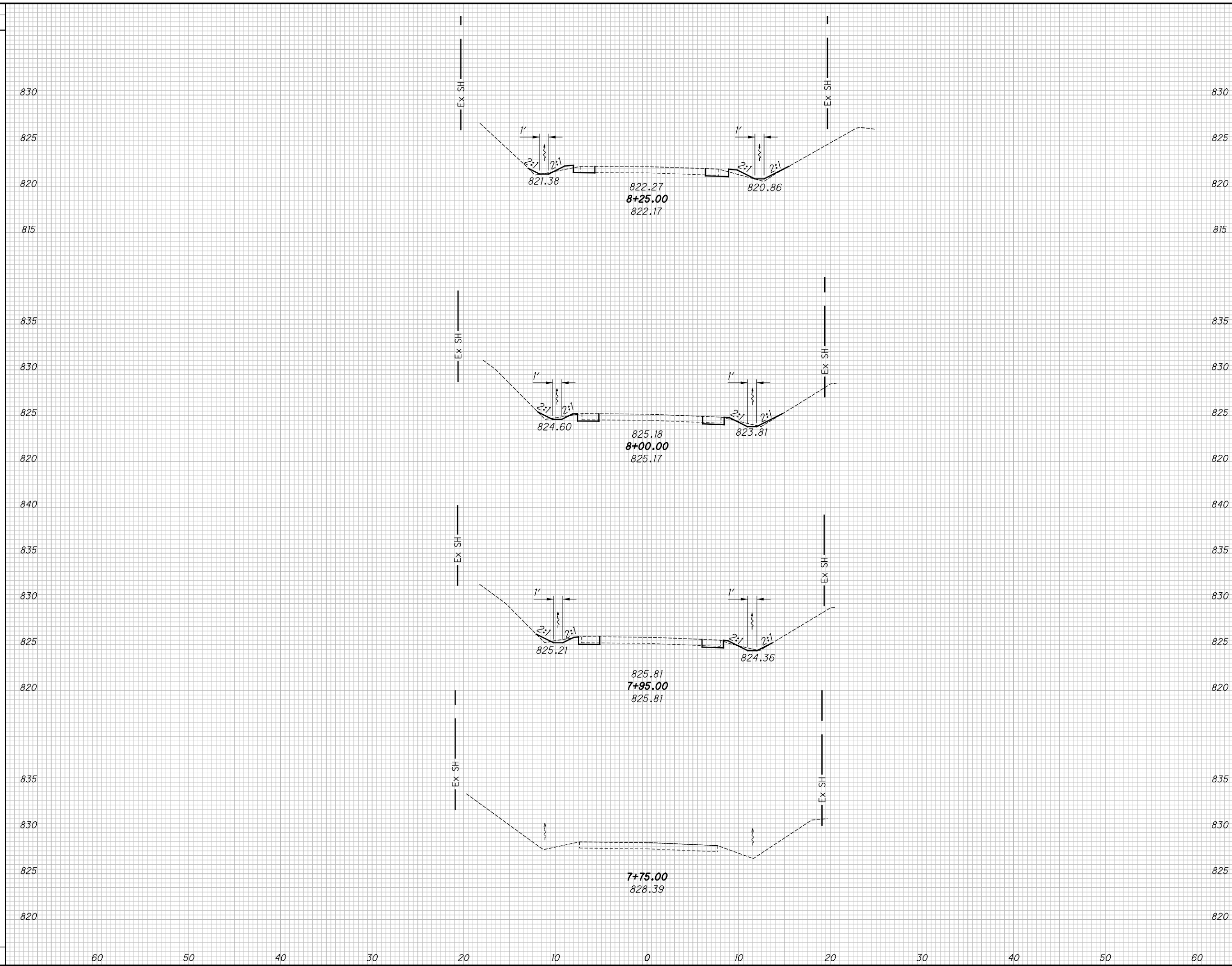
**PLAN & PROFILE - TR 52**  
**STA. 7+95.00 TO 12+26.00**

**WAR-TR52-4.02**

O:\Warren Cnty Eng\018135A.00 - BR\_TR0052-0402\_Roach-Coz\18135\_Design\Roadway\Sheets\18135\_GP001.dgn Sheet 3/30/2023 3:59:30 PM jmelman

O:\Warren\_Cnty\_Eng\018135A.00 - BR\_TR0052-0402\_Roach-Coz\18135\Design\Roadway\Sheets\18135\_xs001.dgn XS\_SHEET\_temporary\_model\_name\_1 3/30/2023 3:59:32 PM jmelman

SEEDING	
END WIDTH	SO. YDS.
13	830
12	825
6	820
11	815
12	810
0	805
53	800

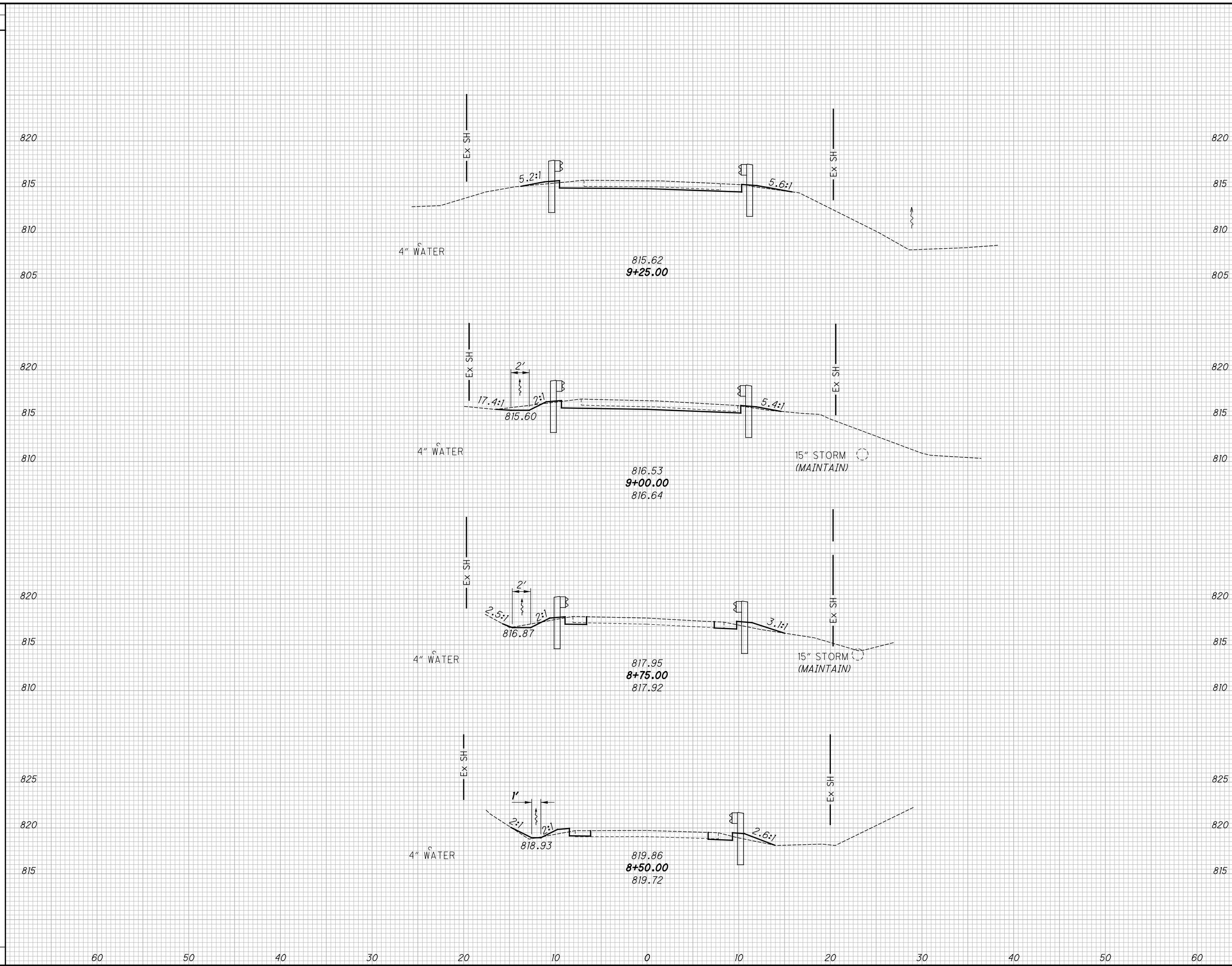


END	AREA		VOLUME		CALCULATED NRP	CHECKED JLM
	CUT	FILL	CUT	FILL		
830						
825	2	2				
820						
815			2	1		
810						
805						
800						
53			3	1		

**CROSS SECTIONS**  
**STA. 7+75.00 TO STA. 8+25.00**  
**WAR-TR52-4.02**  
 10/28

O:\Warren\_Cnty\_Eng\018135A.00 - BR\_TR0052-0402\_Roach-Coz\18135\Design\Roadway\Sheets\18135\_xs002.dgn XS\_SHEET\_temporary\_model\_name\_2 3/30/2023 3:59:32 PM jmelman

SEEDING	
END WIDTH	SO. YDS.
10	
31	
12	
35	
13	
35	
12	
35	
136	

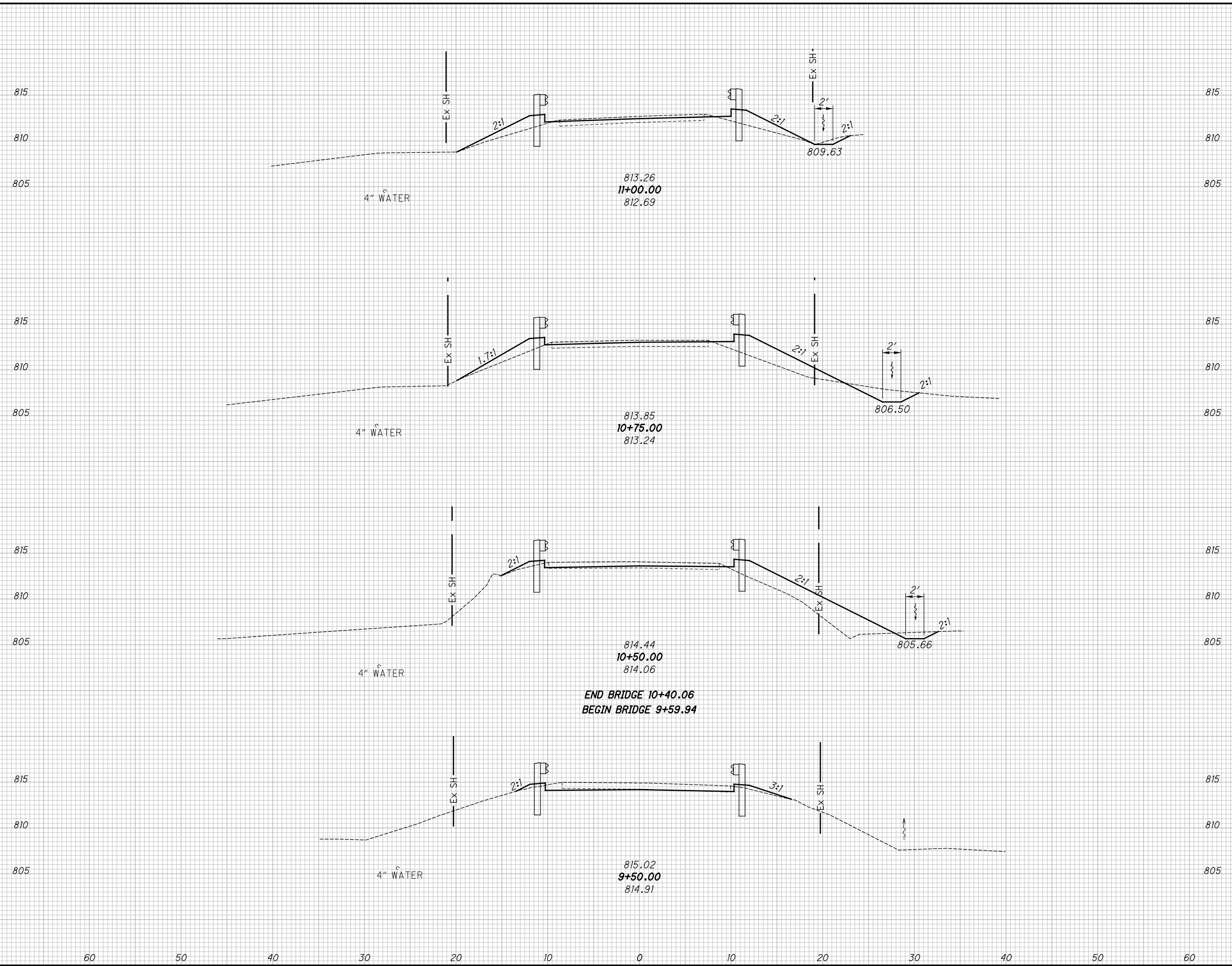


END AREA		VOLUME	
CUT	FILL	CUT	FILL
7	1	7	1
8	1	5	2
3	3	2	3
1	4	1	3
		15	9

**CROSS SECTIONS**  
**STA. 8+50.00 TO STA. 9+25.00**  
**WAR-TR52-4.02**

O:\Warren\_Cnty\_Eng\018135A.00 - BR\_TR0052-0402\_Roach-Coz\18135\_Design\Roadway\Sheets\18135\_xs003.dgn XS\_SHEET\_temporary\_model\_name\_3 3/30/2023 3:59:33 PM jmelman

SEEDING	
END WIDTH	SO. YDS.
25	81
33	88
30	30
33	9
30	10
9	10
10	28
240	



END CUT	AREA FILL	VOLUME	
		CUT	FILL
1	23		
		4	25
7	32		
		4	32
2	37		
		1	14
2	37		
3	2		
		1	1
3	3		
		5	2
		15	74

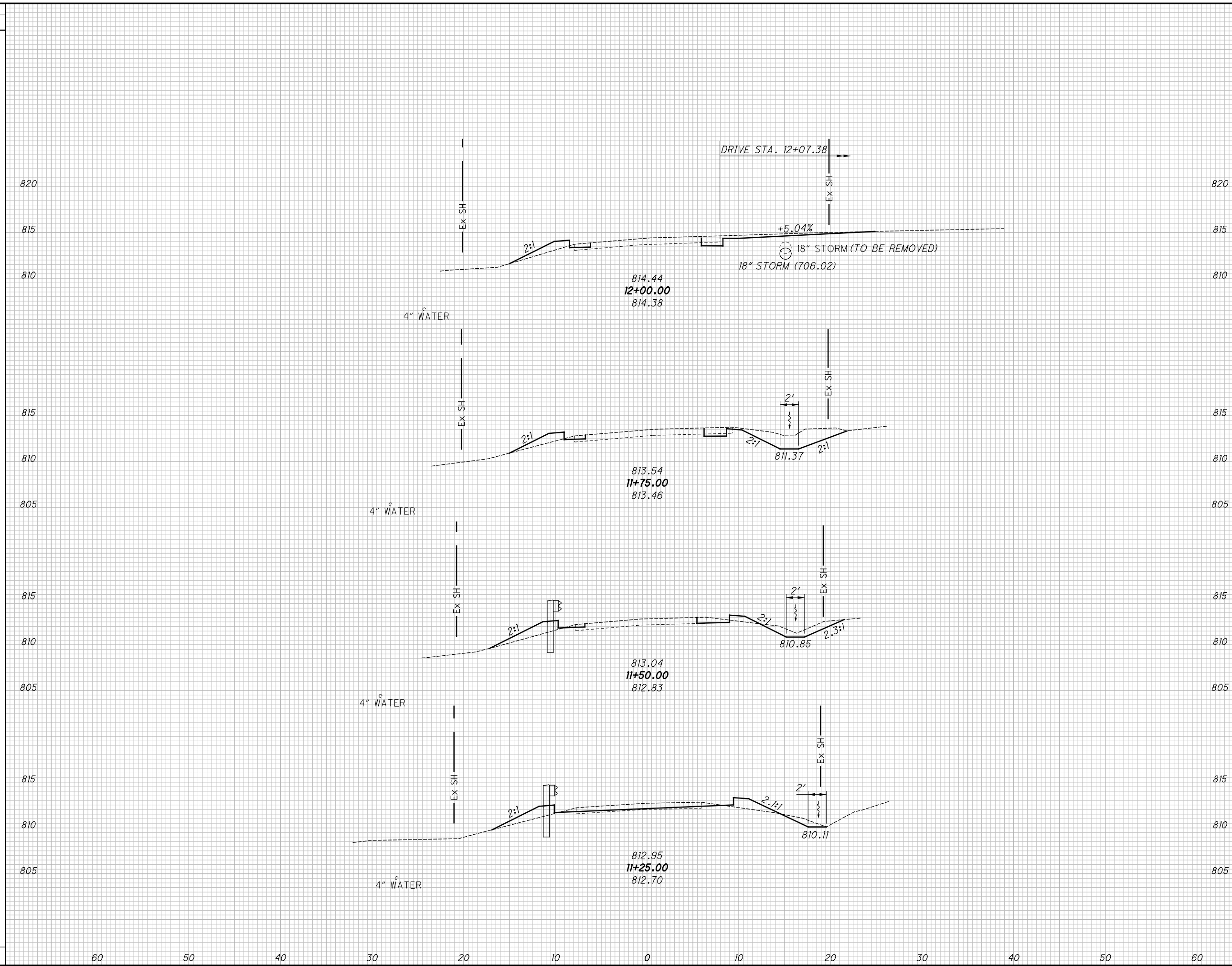
**CROSS SECTIONS**  
**STA. 9+50.00 TO STA. 11+00.00**  
**WAR-TR52-4.02**

12  
28



O:\Warren Cnty Eng\018135A.00 - BR\_TR0052-0402\_Roach-Coz\18135\Design\Roadway\Sheets\18135\_xs004.dgn XS\_SHEET\_temporary\_model\_name\_4 3/30/2023 3:59:34 PM jmelman

SEEDING	
END WIDTH	SO. YDS.
7	7
39	39
21	21
60	60
22	22
56	56
18	18
60	60
215	215



END AREA	VOLUME	CALCULATED	CHECKED		
				CUT	FILL
4	5				
14	5				
6	8				
3	11				
23	36				

**CROSS SECTIONS**  
**STA. 11+25.00 TO STA. 12+00.00**  
**WAR-TR52-4.02**

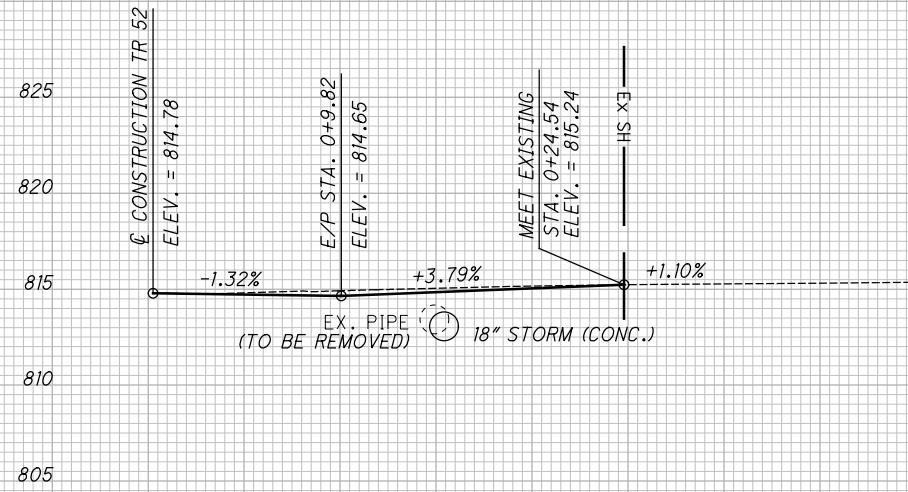
o:\Warren Cnty Eng\018135A.00 - BR\_TR0052-0402\_Roach-Coz\18135\Design\Roadway\Sheets\18135\_xs005.dgn XS\_SHEET\_temporary\_model\_name\_5 3/30/2023 3:59:35 PM jmelman

SEEDING	
END WIDTH	SO. YDS.
60	0
50	31
40	23
30	3
20	23
10	42
0	76

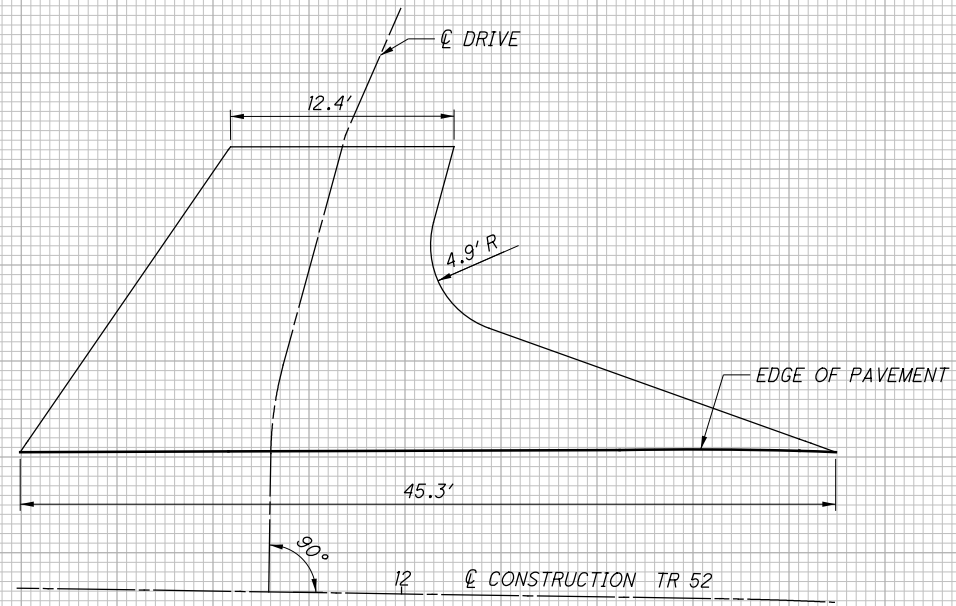


END AREA		VOLUME	
CUT	FILL	CUT	FILL
0	0	0	0
12	2	5	1
12	2	0	0
7	3	12	4

**CROSS SECTIONS**  
**STA. 12+25.00 TO STA. 12+50.00**  
**WAR-TR52-4.02**  
 CALCULATED NRP  
 CHECKED JLM  
 14  
 28

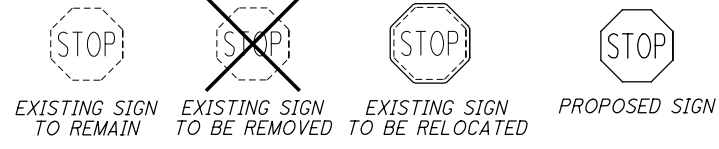


DRIVE PROFILE STA. 12+07.38, RT.



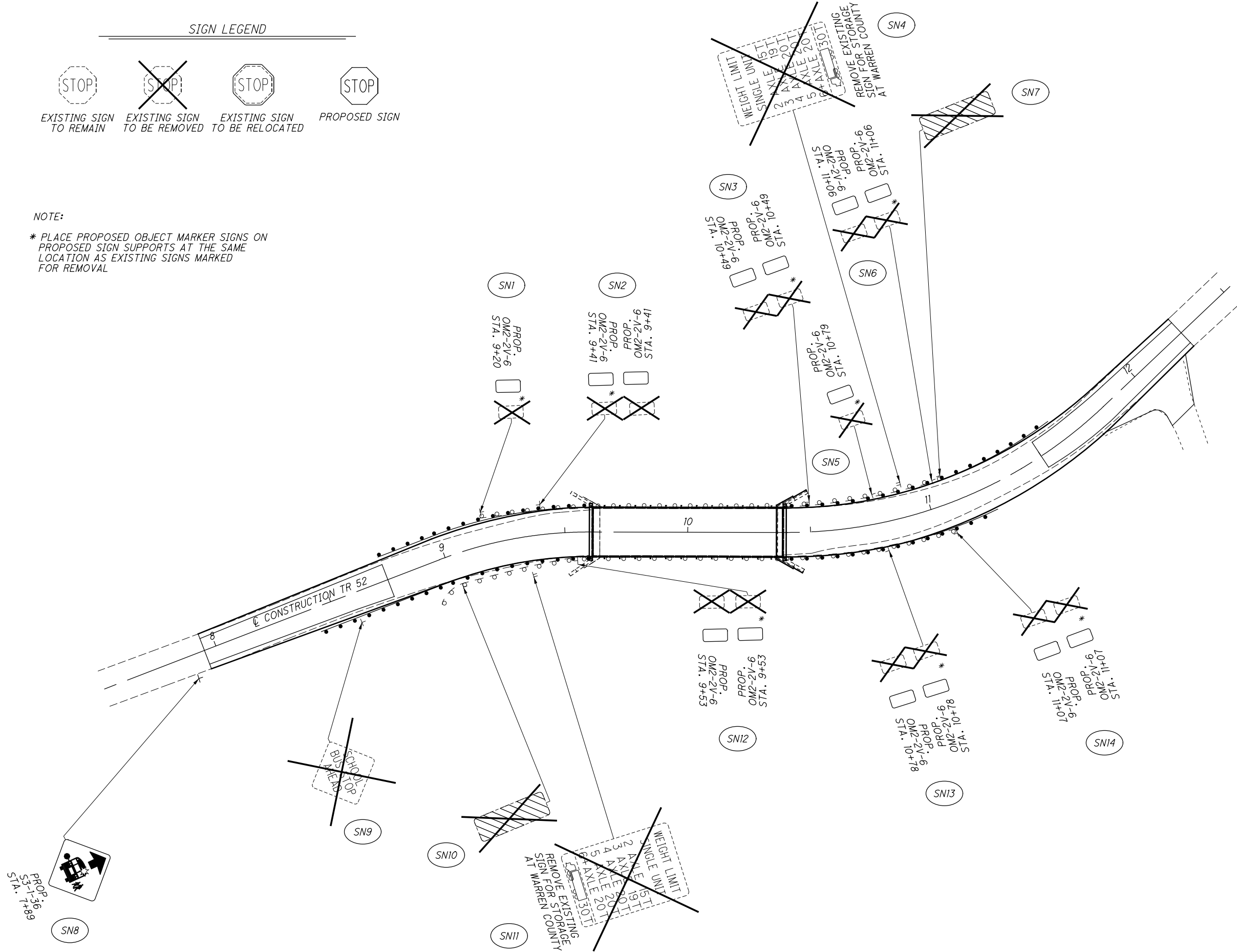
DRIVE PLAN STA. 12+07.38, RT.

SIGN LEGEND



NOTE:

\* PLACE PROPOSED OBJECT MARKER SIGNS ON PROPOSED SIGN SUPPORTS AT THE SAME LOCATION AS EXISTING SIGNS MARKED FOR REMOVAL



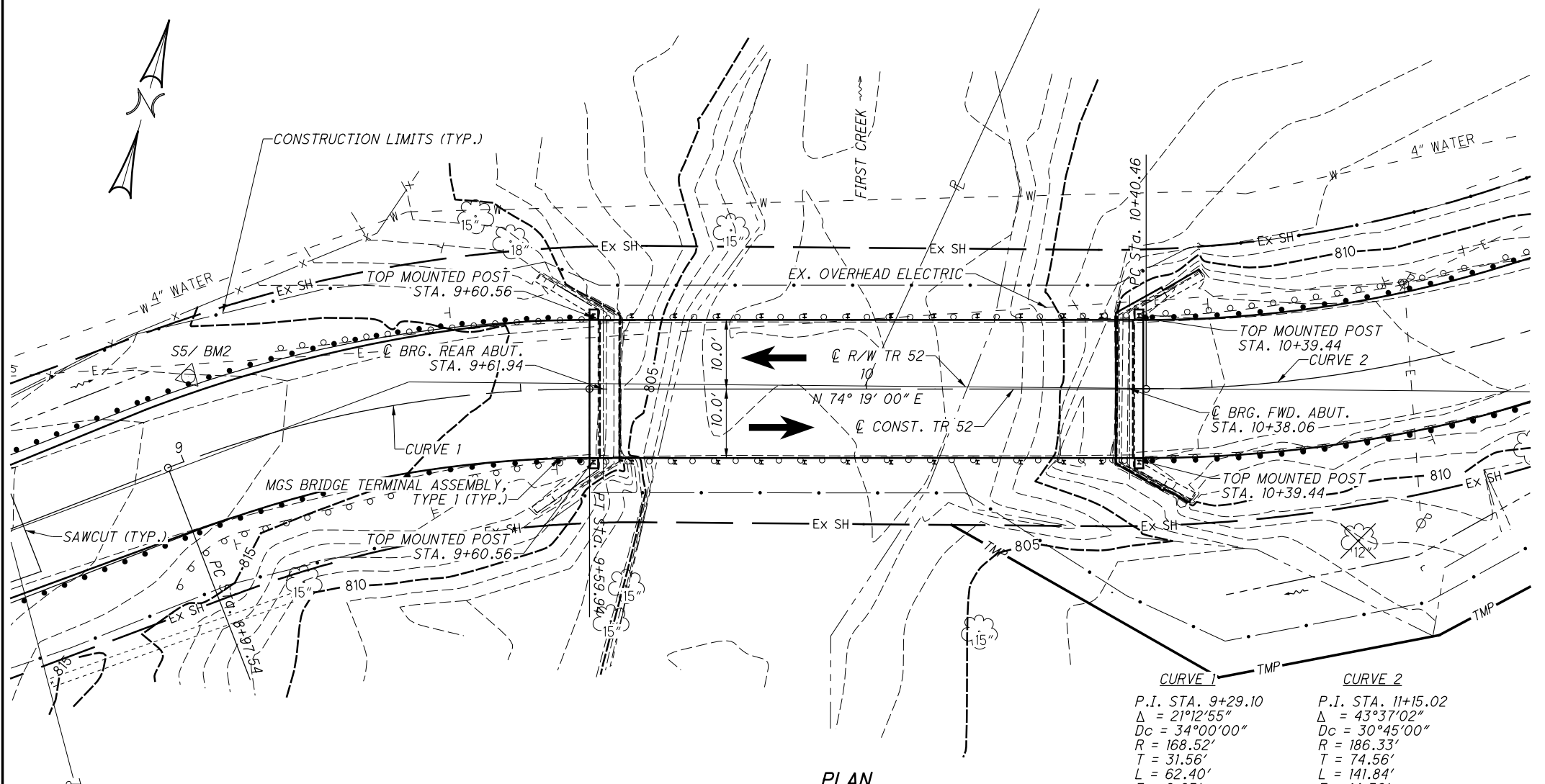
CALCULATED: RSH, CHECKED: JLM

0 20 40 HORIZONTAL SCALE IN FEET

TRAFFIC CONTROL - TR 52  
STA. 7+95.00 TO 12+26.00

WAR-TR52-4.02

O:\Warren Cnty Eng\018135A.00 - BR\_TR0052-0402\_Roach-Coz\18135\Design\Structures\WAR052\_0402L\_Sheets\18135\_SP001.dgn Sheet 3/30/2023 3:59:38 PM jmelman



**PLAN**

CURVE 1		CURVE 2	
P.I. STA.	9+29.10	P.I. STA.	11+15.02
$\Delta$	$21^{\circ}12'55''$	$\Delta$	$43^{\circ}37'02''$
Dc	$34^{\circ}00'00''$	Dc	$30^{\circ}45'00''$
R	168.52'	R	186.33'
T	31.56'	T	74.56'
L	62.40'	L	141.84'
E	2.93'	E	14.36'
PC = STA.	8+97.54	PC = STA.	10+40.46
PT = STA.	9+59.94	PT = STA.	11+82.31

BENCHMARK DATA		
BM #1	STA. 11+17.36	ELEV. 812.43
		OFFSET 11.05', RT.
BM #2	STA. 9+04.61	ELEV. 816.01
		OFFSET 11.43', LT.

FOR ADDITIONAL BENCHMARK INFORMATION, SEE ROADWAY PLAN SHEET

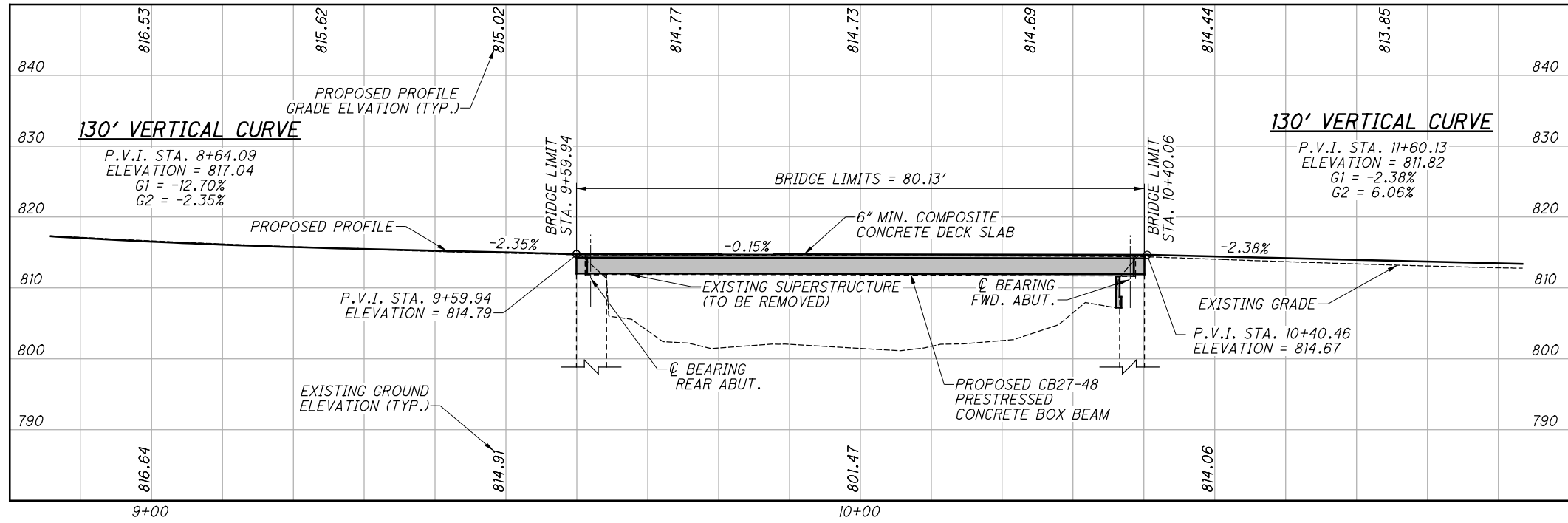
**NOTES**

1. EARTHWORK LIMITS SHOWN ARE APPROXIMATE. ACTUAL SLOPES SHALL CONFORM TO PLAN CROSS SECTIONS.

DESIGN TRAFFIC:  
2015 ADT = 250

EXISTING STRUCTURE
TYPE: SINGLE SPAN NON-COMPOSITE PRESTRESSED BOX BEAM ON STONE MASONRY SUBSTRUCTURE
SPANS: 76'-7 1/2"
ROADWAY: 20'-0"± F/F RAILING
LOADING: HS-20
SKEW: 0°00'00"±
WEARING SURFACE: ASPHALT
APPROACH SLABS: NONE
ALIGNMENT: TANGENT
CROWN: 3/16"± PER FOOT
STRUCTURAL FILE NUMBER: 8334773
DATE BUILT: 1985 RECONSTRUCTION
DISPOSITION: TO BE REHABILITATED

PROPOSED STRUCTURE
PROPOSED WORK: REPLACE SUPERSTRUCTURE AND REHABILITATE SUBSTRUCTURE
TYPE: SINGLE SPAN COMPOSITE PRESTRESSED BOX BEAM WITH STONE MASONRY SUBSTRUCTURE
SPANS: 76'-1 1/2" C/C BEARINGS
ROADWAY: 20'-0"
LOADING: HL-93 AND 60 PSF FUTURE WEARING SURFACE
SKEW: 0°00'00"
WEARING SURFACE: 1" MONOLITHIC CONCRETE
APPROACH SLABS: NONE
ALIGNMENT: TANGENT
CROWN: 0.016 FT/FT
STRUCTURAL FILE NUMBER: 8334774
DECK AREA: 1545 SQ. FT.
COORDINATES: LATITUDE 39°18'22.94"N LONGITUDE 84°06'18.46"W



**PROFILE ALONG C TR 52**

 JLB Inc. - 2500 Newark Drive Miamisburg, OH 45342 1937 295-0000 (tel) - 1937 295-5100 (fax) - Liblic.com	DESIGN AGENCY	DATE	6/21
	REVIEWED	DWS	STRUCTURE FILE NUMBER
	DRAWN	JLM	REVISED
	DESIGNED	JLM	CHECKED
			NRP
WARREN COUNTY	STA. 9+59.94	STA. 10+40.06	
<b>SITE PLAN</b>	BRIDGE NO. WAR-TR52-0402	T.R. 52 OVER FIRST CREEK	
<b>WAR-TR52-4.02</b>	PID No. 118135		
	1/12		
	17		
	28		

**GENERAL NOTES**

**STANDARD DRAWINGS AND SUPPLEMENTAL SPECIFICATIONS**  
REFER TO THE FOLLOWING STANDARD BRIDGE DRAWINGS:

DS-1-92                      REVISED 7-18-03  
PSBD-2-07                  REVISED 7-20-18  
TST-1-99                    REVISED 1-15-21

**DESIGN SPECIFICATIONS**

THIS STRUCTURE CONFORMS TO THE 9TH EDITION OF THE "LRFD BRIDGE DESIGN SPECIFICATIONS" ADOPTED BY THE AMERICAN ASSOCIATION OF STATE HIGHWAY AND TRANSPORTATION OFFICIALS, 2020 AND THE ODOT BRIDGE DESIGN MANUAL, 2020.

**OPERATIONAL IMPORTANCE**

A LOAD MODIFIER OF 1.0 HAS BEEN ASSUMED FOR THE DESIGN OF THIS STRUCTURE IN ACCORDANCE WITH THE AASHTO LRFD BRIDGE DESIGN SPECIFICATIONS, ARTICLE 1.3.5 AND THE ODOT BRIDGE DESIGN MANUAL, 2020.

**DESIGN LOADING**

HL-93 (SUPERSTRUCTURE)  
FUTURE WEARING SURFACE (FWS) OF 0.060 KIPS/FT<sup>2</sup>.

**DESIGN DATA**

CONCRETE CLASS QC2 - COMPRESSIVE STRENGTH 4.5 KSI (SUPERSTRUCTURE)  
CONCRETE CLASS QC1 - COMPRESSIVE STRENGTH 4.0 KSI (SUBSTRUCTURE)  
REINFORCING STEEL - MINIMUM YIELD STRENGTH 60 KSI

**CONCRETE FOR PRESTRESSED BEAMS**

COMPRESSIVE STRENGTH (FINAL) - 7.0 KSI  
COMPRESSIVE STRENGTH (RELEASE) - 5.0 KSI

**PRESTRESSING STRAND**

1/2" DIAMETER, AREA = 0.167 IN<sup>2</sup>  
ULTIMATE STRENGTH = 270 KSI  
INITIAL STRESS = 202.5 KSI (LOW RELAXATION STRANDS)

**DECK PROTECTION METHOD**

EPOXY COATED REINFORCING STEEL  
2 1/2" CONCRETE COVER  
STEEL DRIP STRIP  
SRS TREATMENT  
SEALING OF CONCRETE SURFACES

**MONOLITHIC WEARING SURFACE**

MONOLITHIC WEARING SURFACE IS ASSUMED, FOR DESIGN PURPOSES, TO BE 1 INCH THICK.

**EXISTING STRUCTURE VERIFICATION**

DETAILS AND DIMENSIONS SHOWN ON THESE PLANS PERTAINING TO THE EXISTING STRUCTURE HAVE BEEN OBTAINED FROM FIELD OBSERVATIONS AND MEASUREMENTS. CONSEQUENTLY, THEY ARE INDICATIVE OF THE EXISTING STRUCTURE AND THE PROPOSED WORK BUT THEY SHALL BE CONSIDERED TENTATIVE AND APPROXIMATE. THE CONTRACTOR IS REFERRED TO CMS SECTIONS 102.05 AND 105.02. BASE CONTRACT BID PRICES UPON A RECOGNITION OF THE UNCERTAINTIES DESCRIBED ABOVE AND UPON A PREBID EXAMINATION OF THE EXISTING STRUCTURE. HOWEVER, THE COUNTY WILL PAY FOR ALL PROJECT WORK BASED UPON ACTUAL DETAILS AND DIMENSIONS THAT HAVE BEEN VERIFIED IN THE FIELD.

**ITEM 202, PORTIONS OF STRUCTURE REMOVED, OVER 20 FOOT SPAN, AS PER PLAN**

THIS ITEM SHALL INCLUDE THE ELEMENTS INDICATED IN THE PLANS AND GENERAL NOTES AND THAT ARE NOT SEPARATELY LISTED FOR PAYMENT, EXCEPT FOR WEARING COURSE REMOVAL. ITEMS TO BE REMOVED INCLUDE ALL EXISTING MATERIALS BEING REPLACED BY NEW CONSTRUCTION AND MISCELLANEOUS ITEMS THAT ARE NOT SHOWN TO BE INCORPORATED INTO THE FINAL CONSTRUCTION AND ARE DIRECTED TO BE REMOVED BY THE ENGINEER. THE USE OF EXPLOSIVES, HEADACHE BALLS AND/OR HOE-RAMS WILL NOT BE PERMITTED. THE METHOD OF REMOVAL AND THE WEIGHT OF HAMMER SHALL BE APPROVED BY THE ENGINEER. PERFORM ALL WORK IN A MANNER THAT WILL NOT CUT, ELONGATE OR DAMAGE THE EXISTING REINFORCING STEEL TO BE PRESERVED. CHIPPING HAMMERS SHALL NOT BE HEAVIER THAN THE NOMINAL 90-POUND CLASS. PNEUMATIC HAMMERS SHALL NOT BE PLACED IN DIRECT CONTACT WITH REINFORCING STEEL THAT IS TO BE RETAINED IN THE REBUILT STRUCTURE.

**SUBSTRUCTURE CONCRETE REMOVAL**

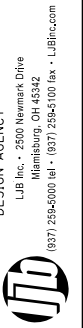
REMOVE CONCRETE BY MEANS OF APPROVED PNEUMATIC HAMMERS EMPLOYING POINTED AND BLUNT CHISEL TOOLS. HYDRAULIC HOE-RAM TYPE HAMMERS WILL NOT BE PERMITTED. THE WEIGHT OF THE HAMMER SHALL NOT BE MORE THAN 35 POUNDS FOR REMOVAL WITHIN 18 INCHES OF PORTIONS TO BE PRESERVED. OUTSIDE THE 18 INCH LIMIT, THE CONTRACTOR MAY USE HAMMERS NOT EXCEEDING 90 POUNDS UPON THE APPROVAL OF THE ENGINEER. DO NOT PLACE PNEUMATIC HAMMERS IN DIRECT CONTACT WITH REINFORCING STEEL THAT IS TO BE RETAINED IN THE REBUILT STRUCTURE.

**ABBREVIATIONS**

ABUT. = ABUTMENT  
ADT = AVERAGE DAILY TRAFFIC  
ADTT = AVERAGE DAILY TRUCK TRAFFIC  
A.S. = APPROACH SLAB  
APPR. = APPROACH  
@ = BASELINE  
BRG. = BEARING  
C/C = CENTER TO CENTER  
CLR. = CLEAR  
C.J. = CONSTRUCTION JOINT  
C.I.P. = CAST-IN-PLACE  
CL. = CENTERLINE  
CLR. = CLEAR  
CMS = CONSTRUCTION AND MATERIAL SPECIFICATIONS  
CONC. = CONCRETE  
CONSTR. = CONSTRUCTION  
DIA. = DIAMETER  
E.F. = EACH FACE  
EL. = ELEVATION  
EQ. = EQUAL  
EX. = EXISTING  
EXP. = EXPANSION  
F.A. = FORWARD ABUTMENT  
F.F. = FAR FACE  
F/F = FACE TO FACE  
FT. = FEET  
FWD. = FORWARD  
HWE = HIGH WATER ELEVATION  
IN. = INCHES  
IN-BET. = IN-BETWEEN  
INCR. = INCREMENT  
JT. = JOINT  
L.F. = LEFT FORWARD  
LT. = LEFT  
MID. = MIDDLE  
MIN. = MINIMUM

N.F. = NEAR FACE  
NB = NORTHBOUND  
NO. = NUMBER  
NPCPP = NON-PERFORATED CORRUGATED PLASTIC PIPE  
O/O = OUT TO OUT  
OHWM = ORDINARY HIGH WATER MARK  
PCB = PORTABLE CONCRETE BARRIER  
PCPP = PERFORATED CORRUGATED PLASTIC PIPE  
PEJF = PREFORMED EXPANSION JOINT FILLER  
PL. = PLATE  
PRESS. = PRESSURE  
PROP. = PROPOSED  
PVI = POINT OF VERTICAL INTERSECTION  
R.A. = REAR ABUTMENT  
RAD. = RADIUS  
RD. = ROAD  
REF. = REFERENCE  
REQ'D = REQUIRED  
RT. = RIGHT  
SB = SOUTHBOUND  
SER. = SERIES  
SHLDR. = SHOULDER  
SPA. = SPACES  
SQ. = SQUARE  
STA. = STATION  
STR = STRAIGHT  
SUPER. = SUPERSTRUCTURE  
TEMP. = TEMPORARY  
T&B = TOP AND BOTTOM  
T/T = TOE TO TOE  
TYP. = TYPICAL  
U.N.O. = UNLESS NOTED OTHERWISE  
VAR. = VARIES  
VERT. = VERTICAL  
W/ = WITH  
W.W. = WINGWALL

O:\Warren Cnty Eng\018135A.00 - BR\_TR0052-0402\_Roach-Coz\18135\_Design\Structures\WAR052\_0402L\_Sheets\18135SN001.dgn\_Sheet 3/30/2023 3:59:39 PM jmelman



DESIGNED	JLM	CHECKED	NRP
DRAWN	NRP	REVISED	
REVIEWED	DWS	DATE	6/21
STRUCTURE FILE NUMBER	8334774		

**GENERAL NOTES**  
BRIDGE NO. WAR-TR52-0402  
OVER FIRST CREEK

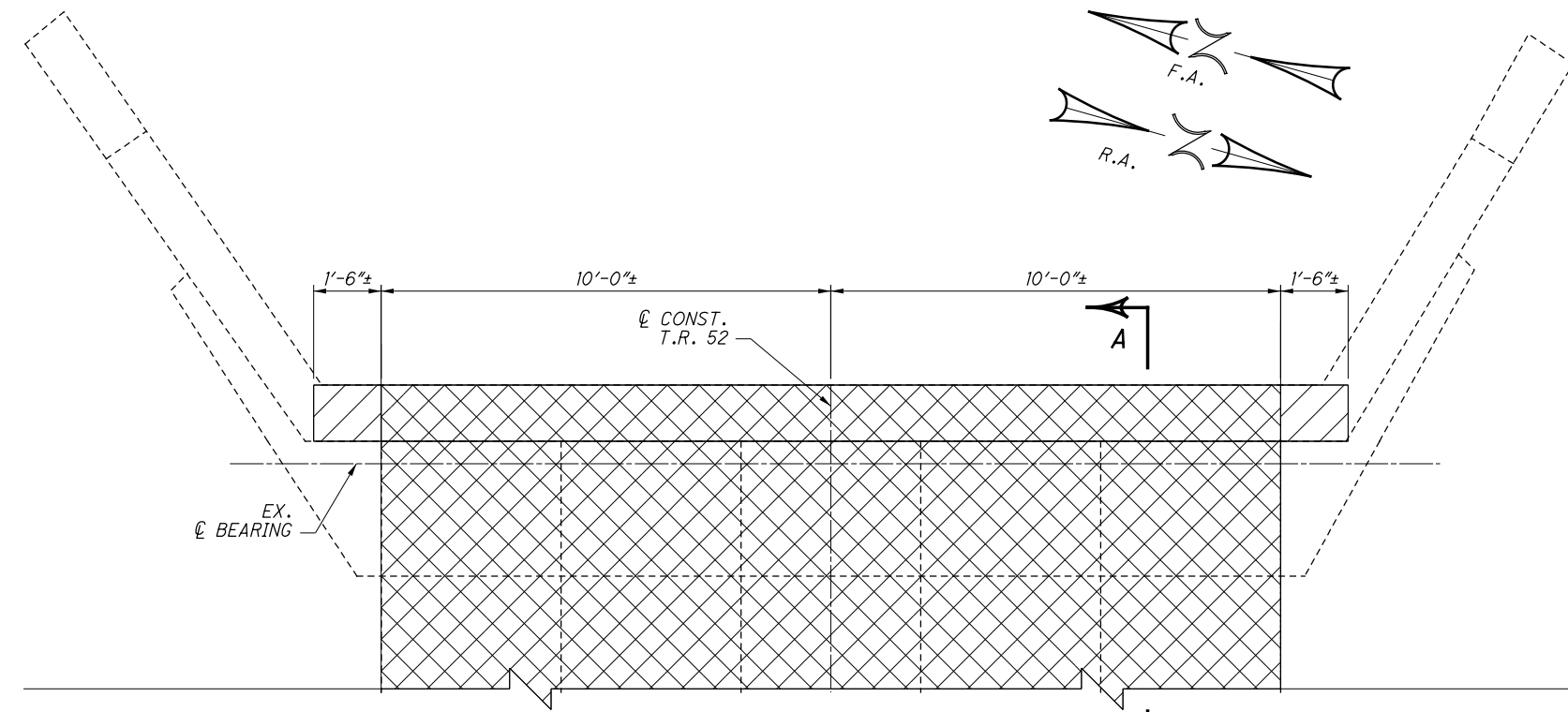
**WAR-TR52-4.02**  
PID No. 118135  
2 / 12  
18  
28

O:\Warren\_Cnty\_Eng\018135A.00 - BR\_TR0052-0402\_Roach-Coz\18135\_Design\Structures\WAR052\_0402L\_Sheets\18135S0001.dgn\_Sheet 3/30/2023 3:59:40 PM jmeliman

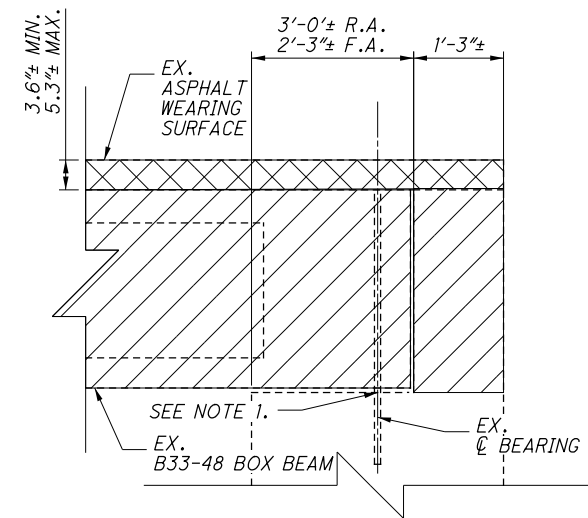
ESTIMATED QUANTITIES								
ITEM	ITEM EXTENSION	TOTAL	UNIT	DESCRIPTION	ABUTMENTS	SUPERSTRUCTURE	GENERAL	AS PER PLAN SHEET NUMBER
202	11203	LUMP		PORTIONS OF STRUCTURE REMOVED, OVER 20 FOOT SPAN, AS PER PLAN			LUMP	2/12
202	23500	179	SQ YD	WEARING COURSE REMOVED		179		
304	20000	22	CU YD	AGGREGATE BASE (GRANULAR BACKFILL)			22	
503	21300	LUMP		UNCLASSIFIED EXCAVATION			LUMP	
509	10000	6,393	POUND	EPOXY COATED REINFORCING STEEL	959	5,434		
510	10000	181	EACH	DOWEL HOLES WITH NONSHRINK, NON METALLIC GROUT	181			
511	31610	47	CU YD	CLASS QC2 CONCRETE, SUPERSTRUCTURE		47		
511	45710	6	CU YD	CLASS QC1 CONCRETE, ABUTMENT	6			
512	10100	129	SQ YD	SEALING OF CONCRETE SURFACES (EPOXY-URETHANE)	62	67		
512	10400	178	SQ YD	TREATING OF CONCRETE BRIDGE DECK WITH SRS		178		
515	12070	5	EACH	PRESTRESSED CONCRETE COMPOSITE BOX BEAM BRIDGE MEMBERS, LEVEL 1, CB27-48 (77'-1 1/2" LONG)		5		
516	10000	40	FT	PREFORMED ELASTOMERIC COMPRESSION JOINT SEAL	40			
516	14020	59	FT	SEMI-INTEGRAL ABUTMENT EXPANSION JOINT SEAL	59			
516	43200	10	EACH	ELASTOMERIC BEARING WITH INTERNAL LAMINATES ONLY (NEOPRENE) (11"x 11" x 2.3857")		10		
516	43300	10	EACH	ELASTOMERIC BEARING WITH INTERNAL LAMINATES ONLY (NEOPRENE) (11"x 11" x 3.5473")		10		
517	70001	168	FT	RAILING (TWIN STEEL TUBE), AS PER PLAN		168		11/12
SPECIAL	518E22300	190	FT	SPECIAL - STEEL DRIP STRIP		190		8/12

QUANTITIES COMPUTED BY: JLM 3/21  
 QUANTITIES CHECKED BY: NRP 3/21

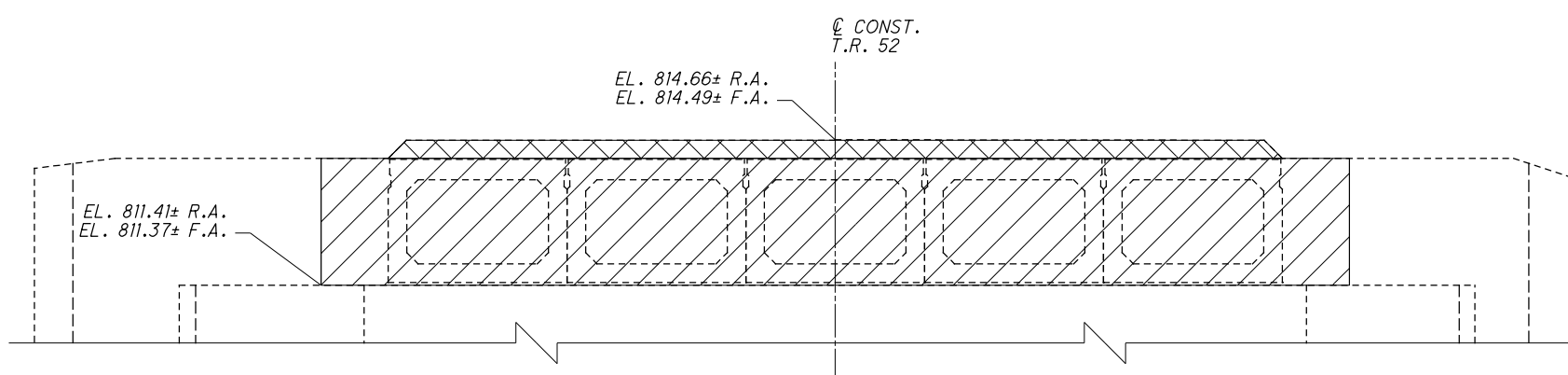
<b>WAR-TR52-4.02</b> PID No. 118135	<b>ESTIMATED QUANTITIES</b> BRIDGE NO. WAR-TR52-0402 OVER FIRST CREEK	DESIGNED JLM CHECKED NRP	DRAWN NRP REVISED	REVIEWED DWS STRUCTURE FILE NUMBER 8334774	DATE 6/21	DESIGN AGENCY LIB Inc. • 2500 Newmark Drive Marietta, OH 45754 1937 295-5000 tel • 1937 295-5100 fax • LIBInc.com
		3 / 12	19 / 28			



**REMOVAL PLAN**  
(REAR SHOWN,  
FORWARD OPPOSITE HAND)



**REMOVAL SECTION A-A**



**REMOVAL ELEVATION**  
(REAR SHOWN,  
FORWARD OPPOSITE HAND)

**LEGEND**

- ITEM 202 - PORTIONS OF STRUCTURE REMOVED, OVER 20 FOOT SPAN, AS PER PLAN
- ITEM 202 - WEARING COURSE REMOVED

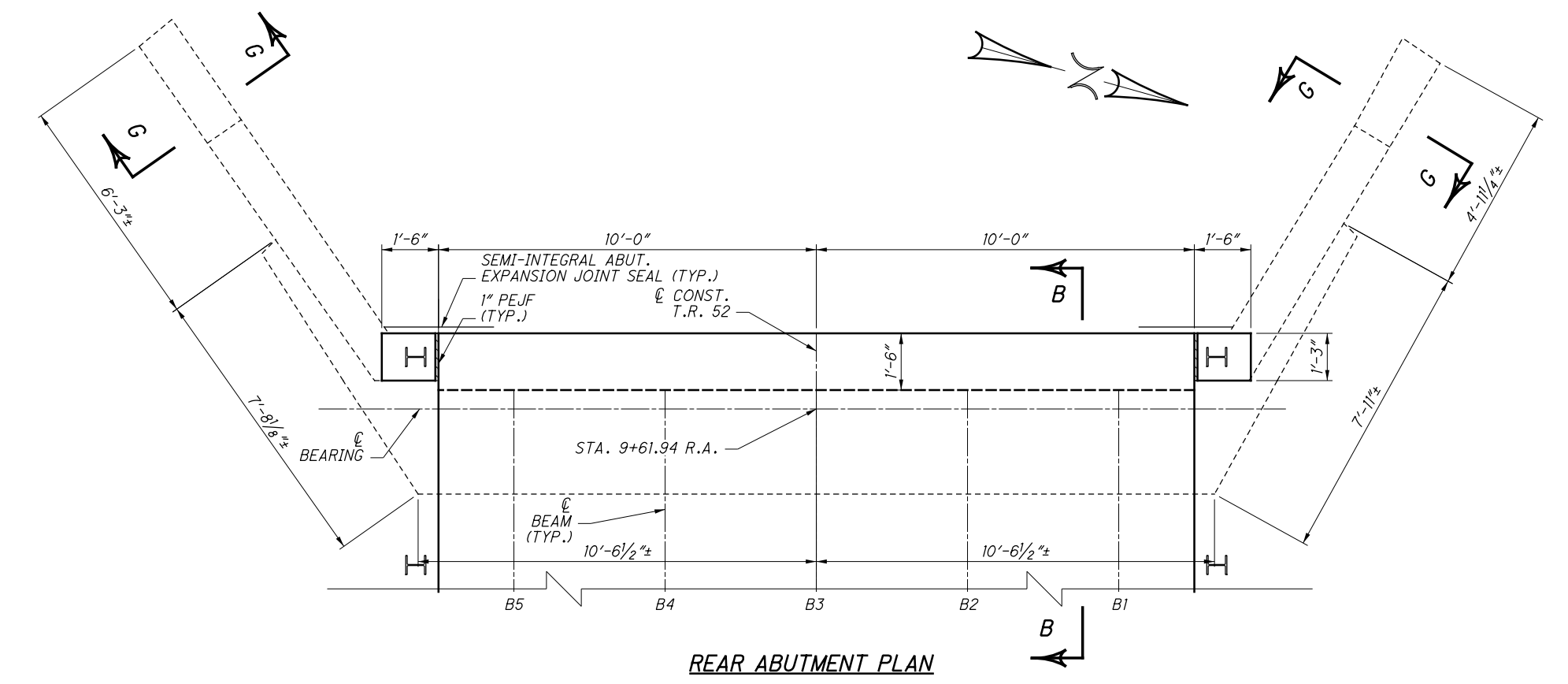
**NOTES:**

1. CUT OFF EXISTING BOX BEAM ANCHOR DOWELS WITH THE EXISTING BEAM SEAT. REMOVE EXISTING ANCHOR DOWELS FROM BEAM SEAT WHERE IN CONFLICT WITH PROPOSED DOWELS BY CONCRETE CORING AND FILL CORED HOLES WITH NONSHRINK, NONMETALLIC GROUT. INCLUDE WORK WITH ITEM 202 PORTIONS OF STRUCTURE REMOVED, OVER 20 FOOT SPAN.

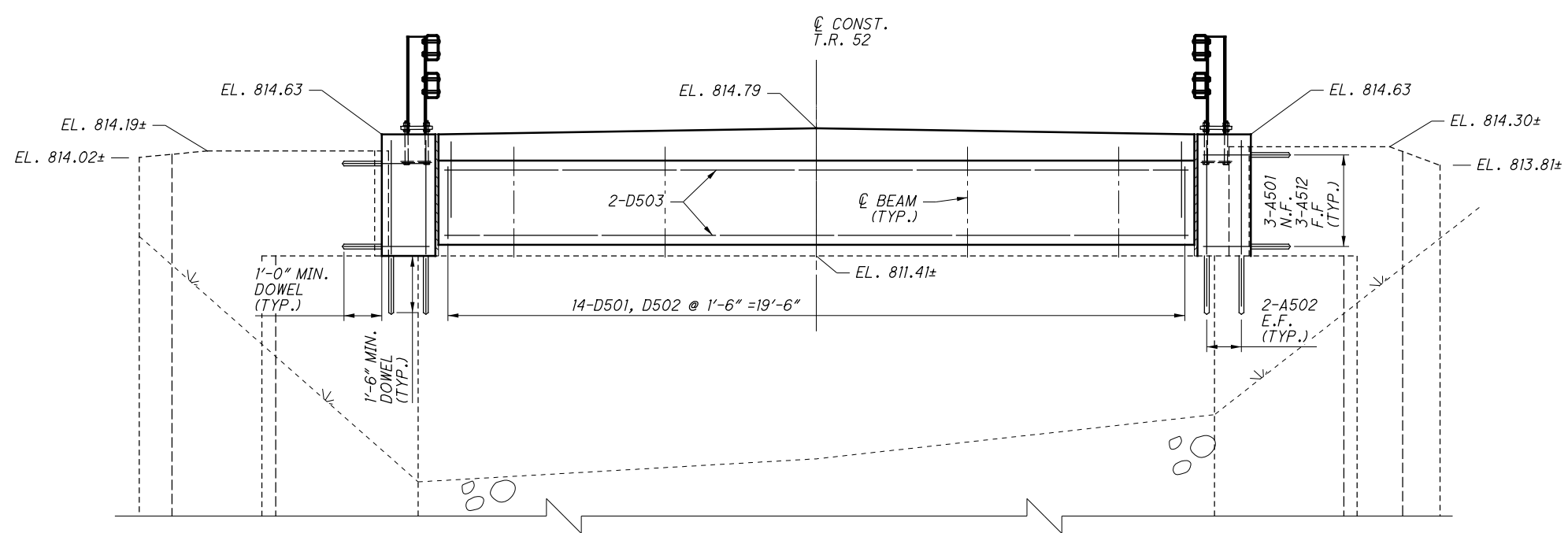
	<b>DESIGN AGENCY</b> JLB Inc. • 2500 Newmark Drive Marietta, OH 45754 1937 294-0000 (tel) • 1937 294-5100 (fax) • jlb@jlb.com
DESIGNED JLM CHECKED NRP	DRAWN JLM REVISED
REVIEWED DWS	DATE 6/21
STRUCTURE FILE NUMBER 8334774	
<b>REMOVAL DETAILS</b> BRIDGE NO. WAR-TR52-0402 T.R. 52 OVER FIRST CREEK	
<b>WAR-TR52-4-02</b> PID NO. 118135	
4 / 12	
20 28	



O:\Warren Cnty Eng\018135A.00 - BR\_TR0052-0402\_Roach-Coz\18135\Design\Structures\WAR052\_0402L\Sheets\18135SR001.dgn Sheet 3/30/2023 3:59:43 PM jmelman



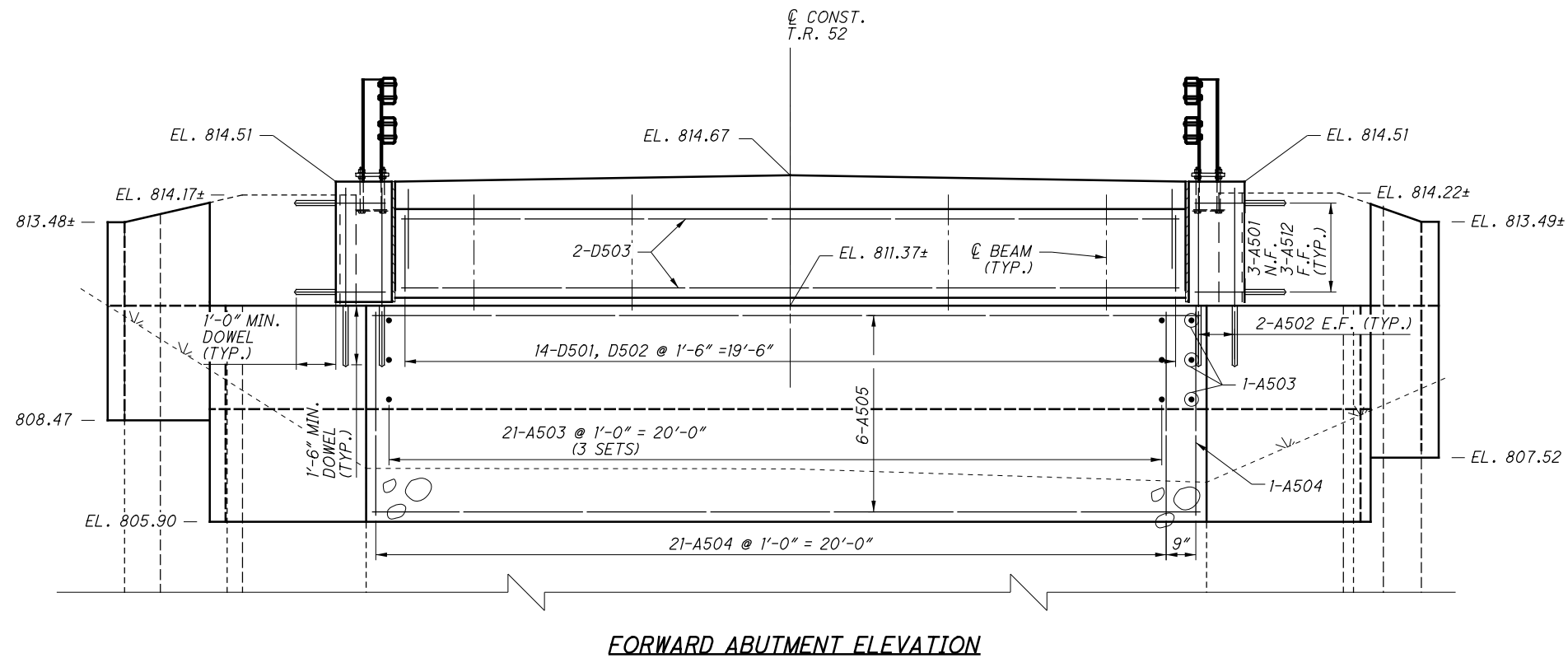
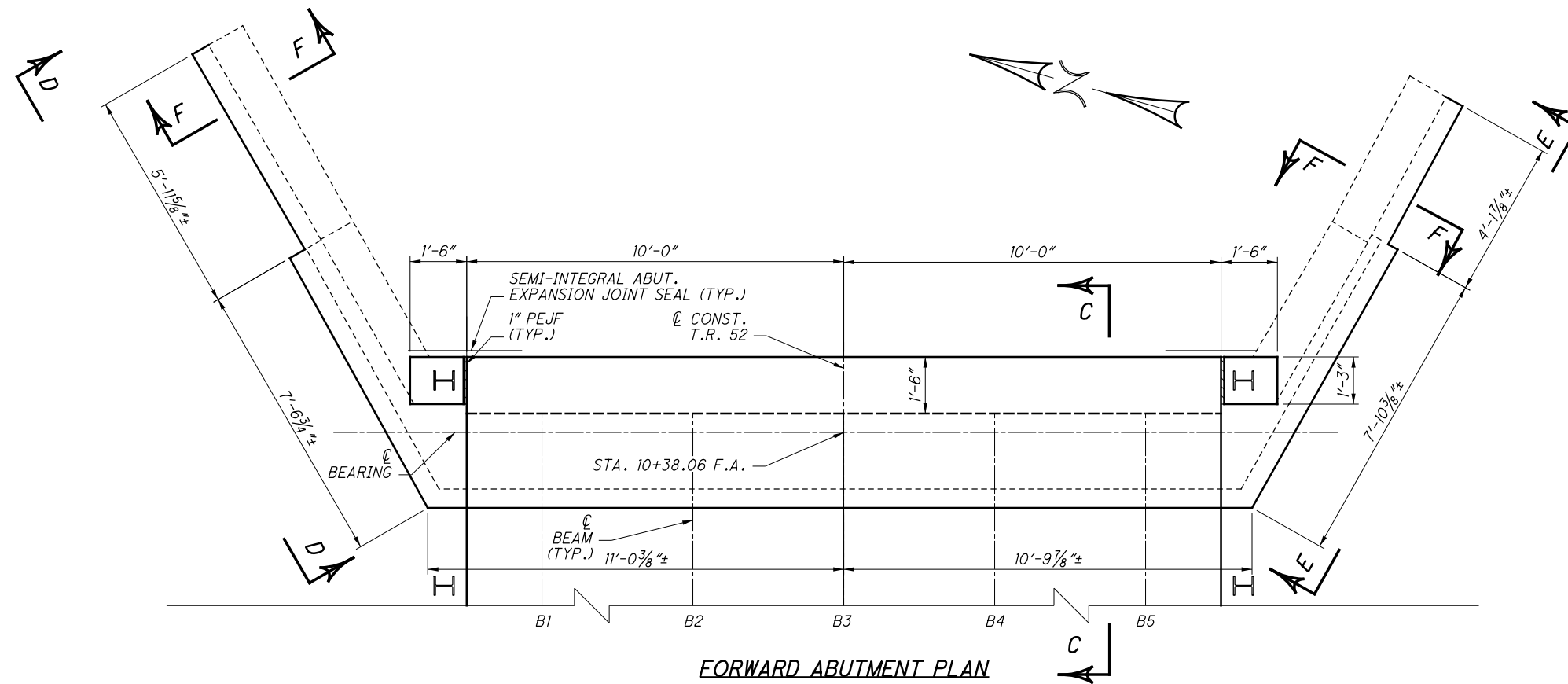
REAR ABUTMENT PLAN



REAR ABUTMENT ELEVATION

- NOTES:
1. ABUTMENT CONCRETE: DO NOT PLACE THE ABUTMENT CONCRETE ABOVE THE BRIDGE SEAT CONSTRUCTION JOINT UNTIL THE PRESTRESSED CONCRETE BOX BEAMS HAVE BEEN ERECTED.
  2. FOR SECTION B-B AND G-G, SEE SHEET 7 / 12 .
  3. FOR REINFORCING LIST, SEE SHEET 12 / 12 .

	DESIGN AGENCY	DATE	6/21
	JLB Inc. • 2500 Newmark Drive Miamisburg, OH 45342 937.295-0000 (tel) • (937) 295-5100 (fax) • JLBinc.com	REVIEWED	DWS
	DRAWN	JLM	STRUCTURE FILE NUMBER
	CHECKED	NRP	8334774
<b>ABUTMENT DETAILS</b> BRIDGE NO. WAR-TR52-0402 T.R. 52 OVER FIRST CREEK			
<b>WAR-TR52-4.02</b> PID NO. 118135			
5 / 12			
21 28			

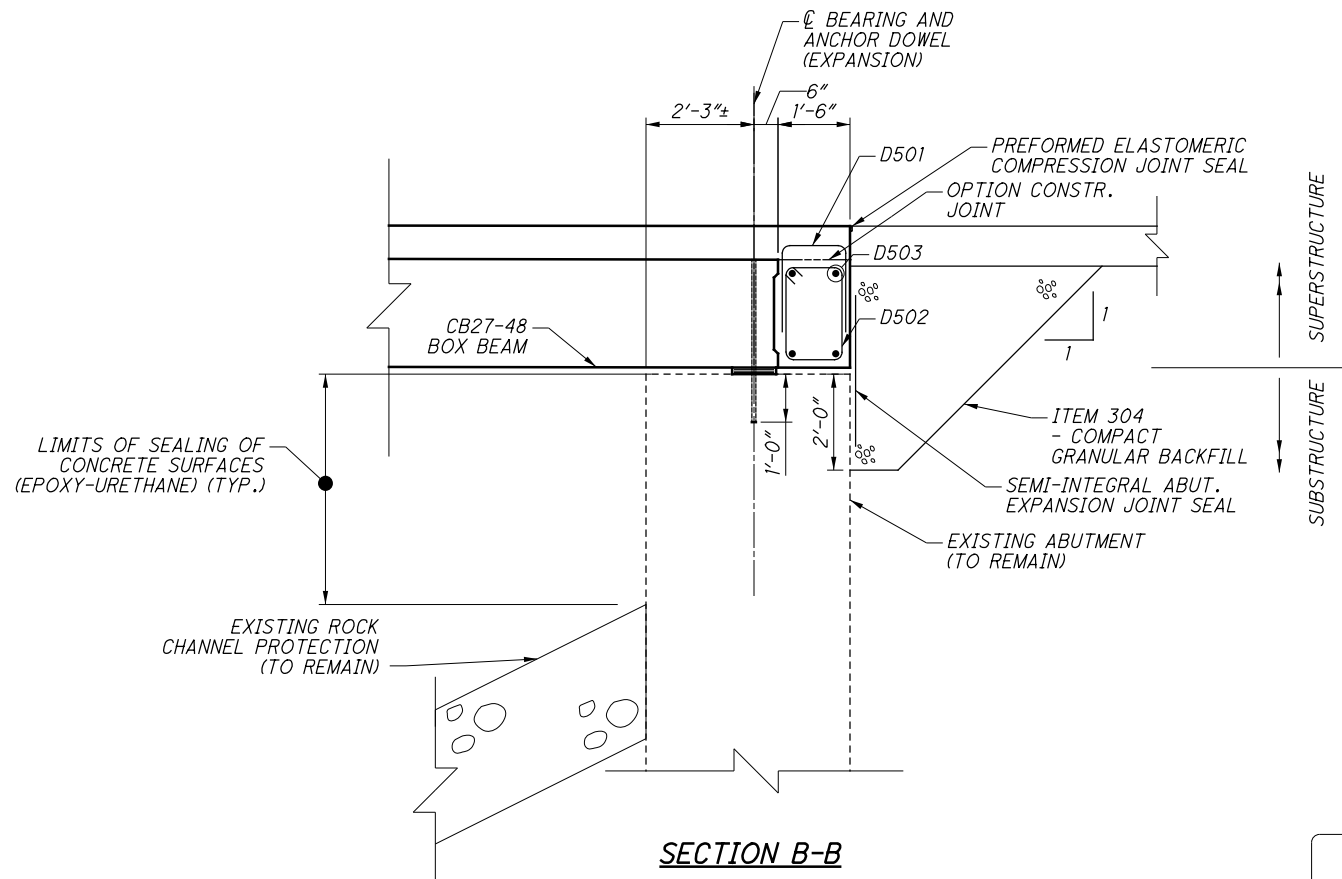


NOTES:

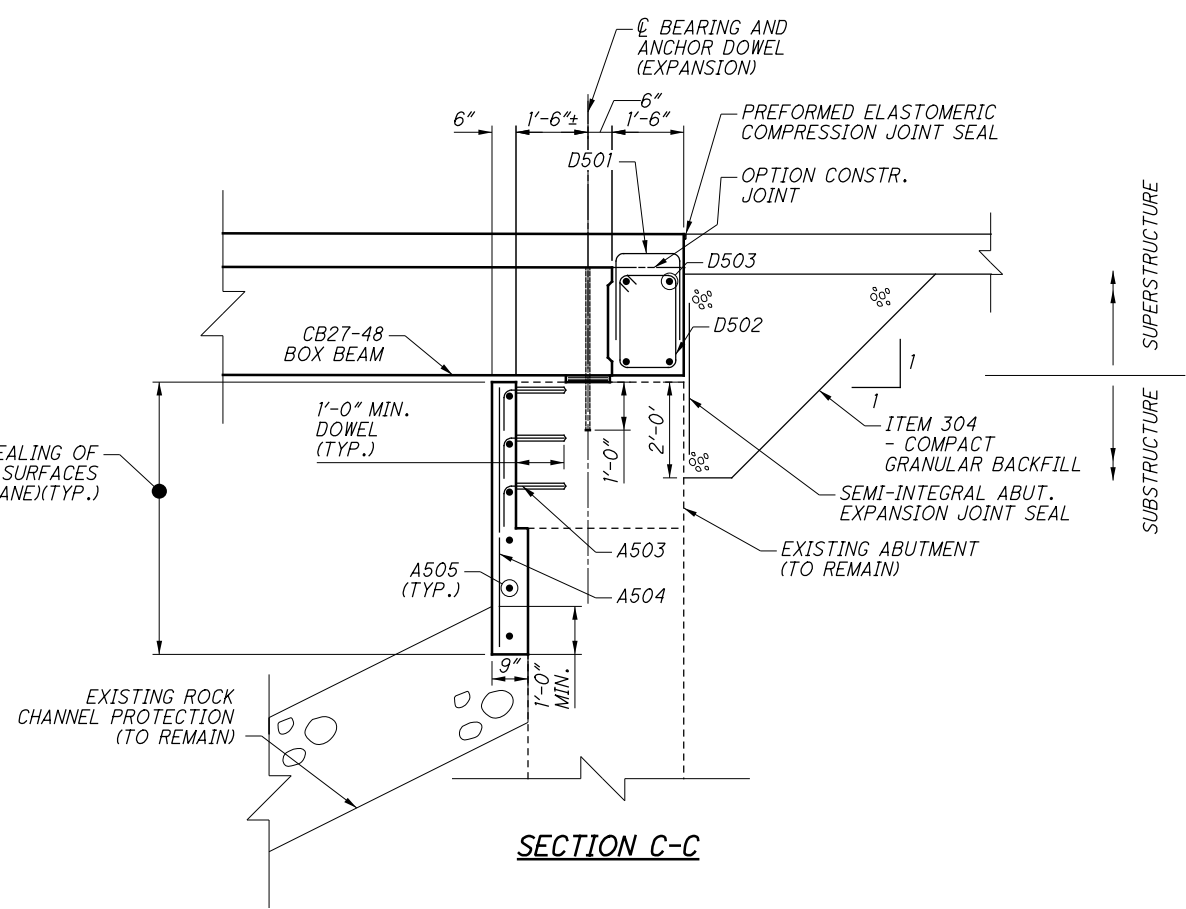
1. ABUTMENT CONCRETE: DO NOT PLACE THE ABUTMENT CONCRETE ABOVE THE BRIDGE SEAT CONSTRUCTION JOINT UNTIL THE PRESTRESSED CONCRETE BOX BEAMS HAVE BEEN ERECTED.
2. FOR SECTIONS C-C AND F-F SEE SHEET 7 / 12.
2. FOR VIEWS D-D, E-E, AND F-F SEE SHEET 7 / 12.
3. FOR REINFORCING LIST, SEE SHEET 12 / 12.
4. COSTS TO REMOVE AND REPLACE EXISTING GROUND AND ROCK CHANNEL PROTECTION FOR CONCRETE WORK SHALL BE INCLUDED WITH ITEM 503 UNCLASSIFIED EXCAVATION.

	<b>DESIGN AGENCY</b> LIB Inc. • 2500 Newmark Drive Marietta, OH 45754 937.295-0000 (tel) • (937) 295-5100 (fax) • libinc.com	<b>DATE</b> 6/21	<b>REVIEWED</b> DWS	<b>STRUCTURE FILE NUMBER</b> 8334774
<b>DESIGNED</b> JLM	<b>DRAWN</b> JLM	<b>CHECKED</b> NRP	<b>REVISER</b> NRP	<b>FILE NUMBER</b> 8334774
<b>ABUTMENT DETAILS</b> BRIDGE NO. WAR-TR52-0402 T.R. 52 OVER FIRST CREEK				
<b>WAR-TR52-4-02</b> PID NO. 118135				
6 / 12				
<div style="border: 1px solid black; border-radius: 50%; width: 40px; height: 40px; display: flex; align-items: center; justify-content: center; margin: 0 auto;"> <span style="margin-right: 5px;">22</span> <span>28</span> </div>				

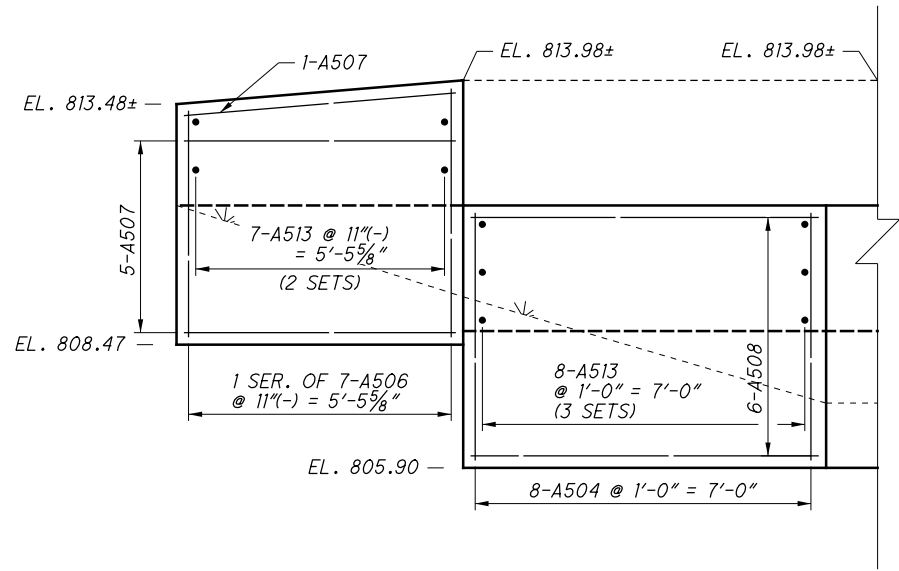
O:\Warren Cnty Eng\018135A.00 - BR\_TR0052-0402\_Roach-Coz\18135\_Sheets\WAR052-0402L\_Sheets\18135SR002.dgn Sheet 3/30/2023 3:59:45 PM jmeliman



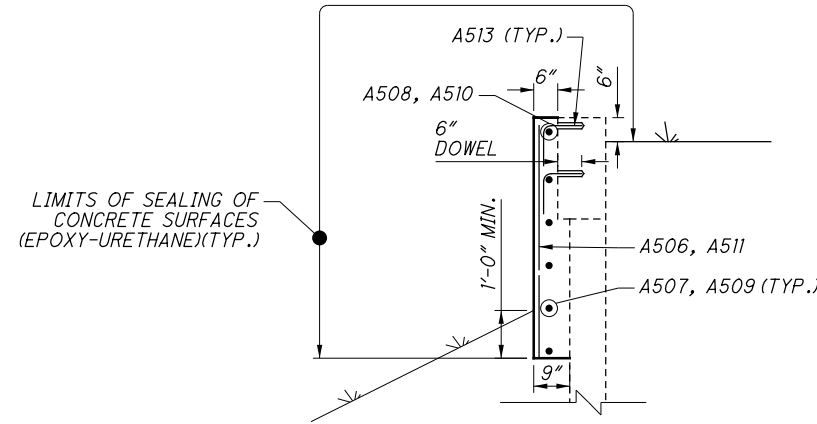
**SECTION B-B**



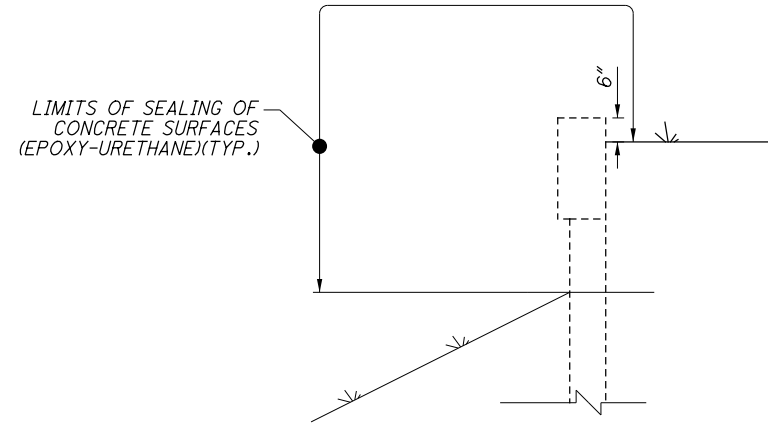
**SECTION C-C**



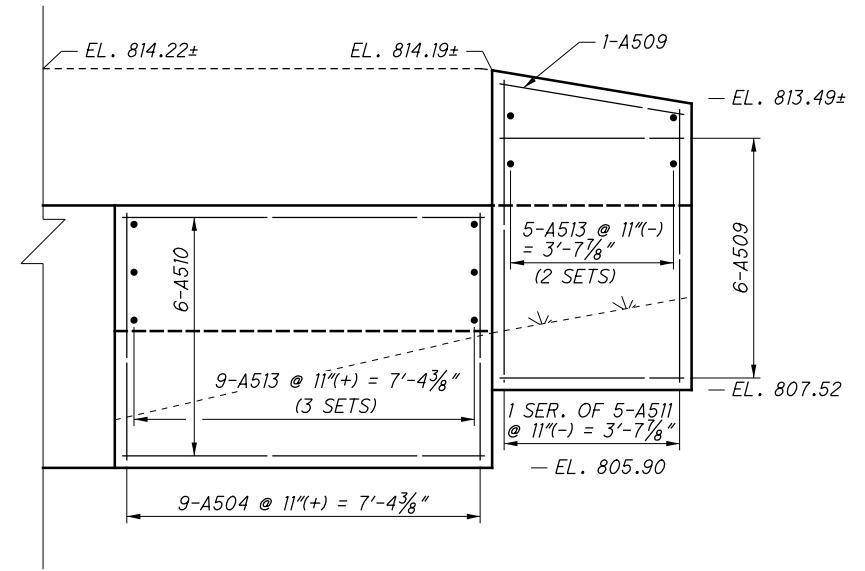
**VIEW D-D**



**SECTION F-F**



**SECTION G-G**

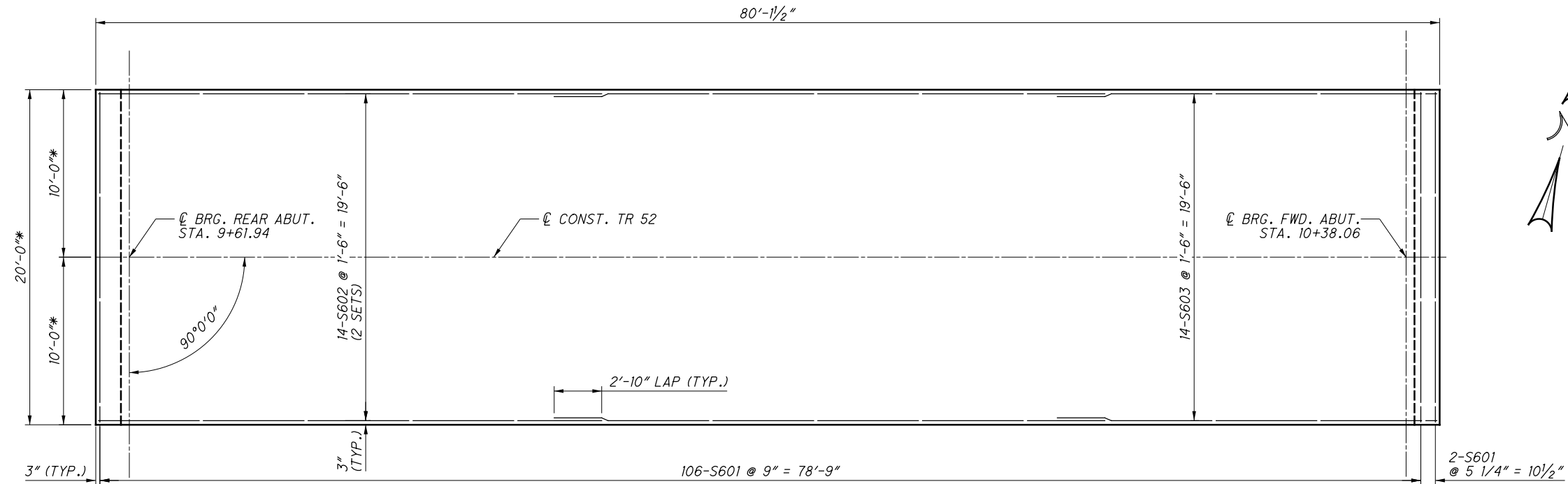


**VIEW E-E**

- NOTES:
1. FOR BEAM END REINFORCING, SEE SHEET 10 / 12.
  2. FOR DECK SLAB REINFORCING, SEE SHEET 8 / 12.
  3. FOR REINFORCING STEEL LIST, SEE SHEET 12 / 12.

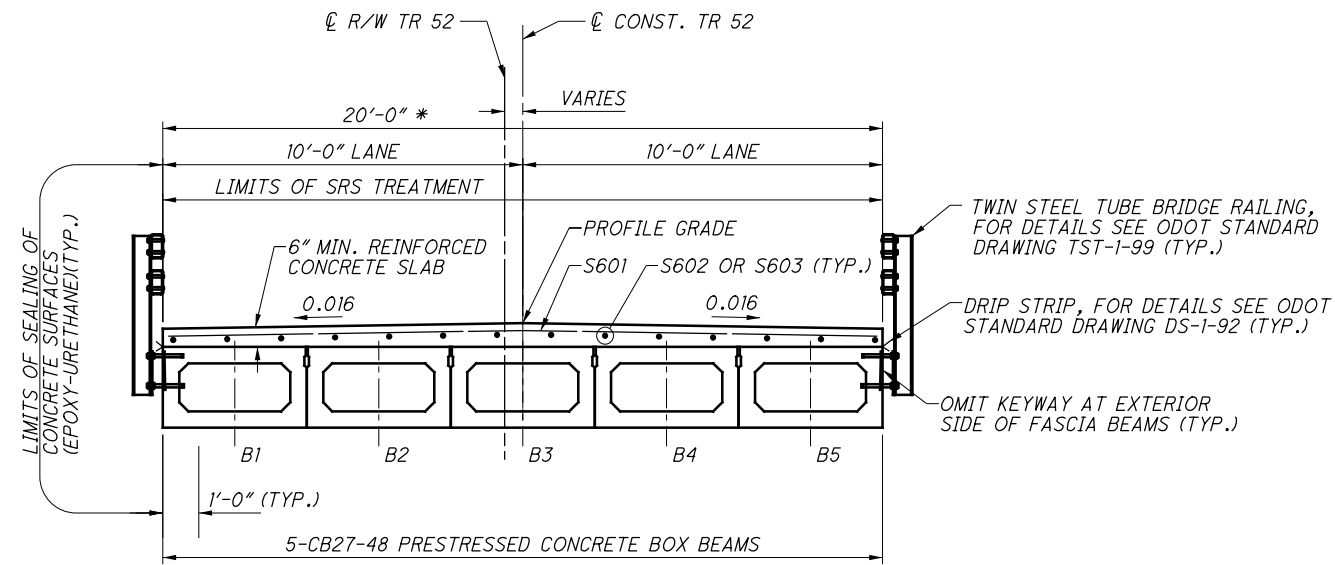
	<b>DESIGN AGENCY</b> LIB Inc. • 2500 Newmark Drive Marietta, OH 45754 1937 254-0000 (tel.) • 1937 254-5100 (fax) • libinc.com	<b>DATE</b> 6/21	<b>DESIGNED</b> JLM	<b>REVIEWED</b> DWS
<b>DRAWN</b> JLM	<b>REVISIONS</b> NRP	<b>STRUCTURE FILE NUMBER</b> 8334774		
<b>ABUTMENT DETAILS</b> BRIDGE NO. WAR-TR52-0402 T.R. 52 OVER FIRST CREEK				
<b>WAR-TR52-4-02</b> PID NO. 118135				
7 / 12				
23 28				

O:\Warren Cnty Eng\018135A.00 - BR\_TR0052-0402\_Roach-Coz\18135\Design\Structures\WAR052\_0402L\Sheets\18135SD001.dgn Sheet 3/30/2023 3:59:46 PM jnellman



**DECK SLAB PLAN**

\* - PLUS FIT-UP



**BRIDGE TYPICAL SECTION**

\* - PLUS FIT-UP

**NOTES:**

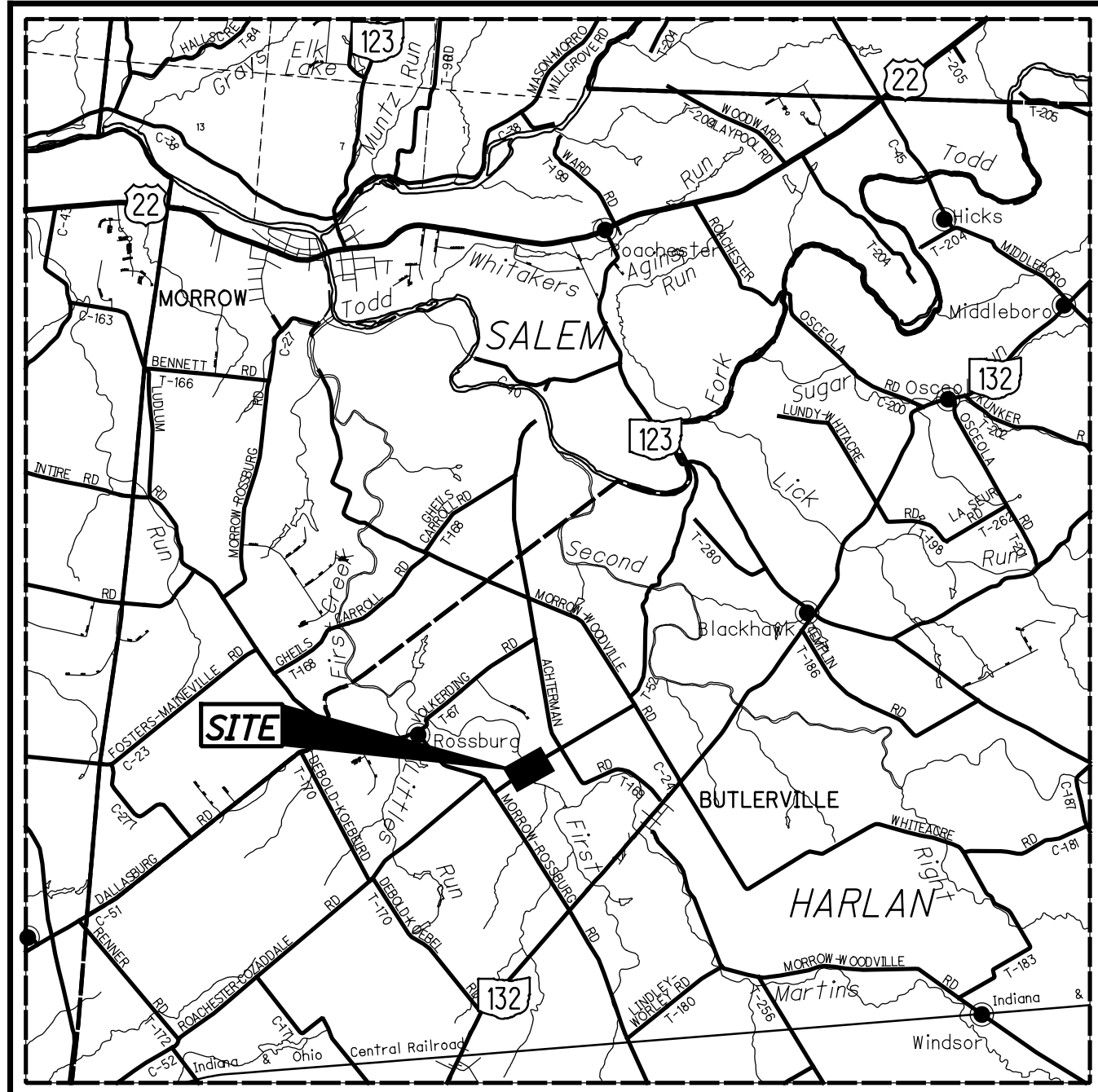
1. DECK SLAB THICKNESS FOR CONCRETE QUANTITY: THE ESTIMATED QUANTITY OF DECK CONCRETE IS MEASURED ACCORDING TO C&MS 511. IN ADDITION TO THE DESIGN SLAB THICKNESS, THE QUANTITY INCLUDES A VARIABLE HAUNCH THICKNESS THAT PROVIDES AN ALLOWANCE FOR VERTICAL GRADE ADJUSTMENT AND BEAM CAMBER.
2. FOR REINFORCING STEEL LIST, SEE SHEET [12/12].



<b>WAR-TR52-4.02</b> PID No. 118135	<b>DECK SLAB PLAN AND TYPICAL SECTION</b> BRIDGE NO. WAR-TR52-0402 T.R. 52 OVER FIRST CREEK		DESIGNED JLM	CHECKED NRP	DRAWN JLM	REVIEWED DWS	DATE 6/21	STRUCTURE FILE NUMBER 8334774	DESIGN AGENCY LUB Inc. • 2500 Newmark Drive Marietta, OH 45754 1937 256-0000 (tel) • (937) 256-5100 (fax) • LubInc.com
	8 / 12	24 28							

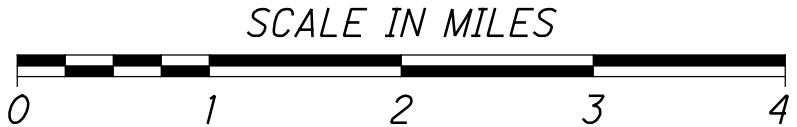
# WAR-TR 52-4.02 (ROACHESTER- COZADDALE ROAD)

## OVER FIRST CREEK BRIDGE NO. WAR-TR052-0402 HARLAN TOWNSHIP WARREN COUNTY, OHIO



LOCATION MAP

LATITUDE: 39°18'22" LONGITUDE: 84°06'18"



PORTION TO BE IMPROVED	—————
INTERSTATE HIGHWAY	=====
FEDERAL ROUTES	=====
STATE ROUTES	=====
COUNTY & TOWNSHIP ROADS	=====
OTHER ROADS	-----

**DESIGN DESIGNATION**

CURRENT ADT (2015)	250
DESIGN YEAR ADT (20 )	N/A
DESIGN HOURLY VOLUME (20 )	N/A
DIRECTIONAL DISTRIBUTION	N/A
TRUCKS (24 HOUR B&C)	N/A
DESIGN SPEED	55 MPH
LEGAL SPEED	55 MPH
DESIGN FUNCTIONAL CLASSIFICATION:	
RURAL - LOCAL	
NHS PROJECT	NO

**DESIGN EXCEPTIONS**  
SUPERELEVATION RATE, SHOULDER WIDTH, LANE WIDTH, MAXIMUM GRADE, HORIZONTAL CURVE RADIUS, STOPPING SIGHT DISTANCE (HORIZONTAL CURVE)

**UNDERGROUND UTILITIES**  
Contact Two Working Days Before You Dig

OHIO811, 8-1-1, or 1-800-362-2764  
(Non-members must be called directly)

PLAN PREPARED BY:

DESIGN AGENCY  
LJB Inc. • 2500 Newmark Drive  
Millsburg, OH 45342  
(937) 259-5000 tel • (937) 259-5100 fax • LJBinc.com

©2012 LJB Inc. All rights reserved. No part of this drawing may be used, reproduced, or modified in any manner without the prior written authorization of LJB Inc. Any such unauthorized use or reproduction of or modification to this drawing is done at the user's own risk and the user agrees to indemnify, defend and hold harmless LJB Inc. from and against any and all claims, liability, and expense, including, but not limited to, reasonable attorney's fees, arising from such use, reproduction or modification.

**INDEX OF SHEETS:**

TITLE SHEET	1
TYPICAL SECTIONS	2-3
GENERAL NOTES	4
MAINTENANCE OF TRAFFIC	5-6
GENERAL SUMMARY	7
SUBSUMMARY	8
PLAN AND PROFILE	9
CROSS SECTIONS	10-14
DRIVE DETAILS	15
TRAFFIC CONTROL	16
STRUCTURES	17-28

ENGINEERS SEAL:

SIGNED: Joseph Mellman  
DATE: 7/16/2021

STANDARD CONSTRUCTION DRAWINGS				SUPPLEMENTAL SPECIFICATIONS		SPECIAL PROVISIONS	
BP-3.1	1/17/20	DS-1-92	7/18/03	800	1/15/21		
		PSBD-2-07	7/20/18	832	10/19/18		
MGS-1.1	1/19/18	TST-1-99	1/15/21				
MGS-2.1	1/19/18						
MGS-3.1	1/19/18						
MGS-4.2	7/19/13						
MT-101.60	1/17/20						
TC-41.20	10/18/13						
TC-42.20	10/18/13						
TC-51.11	1/15/16						
TC-52.20	1/15/21						

**PROJECT DESCRIPTION**  
REPLACE BRIDGE SUPERSTRUCTURE FOR ROACHESTER-COZADDALE ROAD OVER FIRST CREEK, INCLUDING APPROACH ROADWAY WORK.

**EARTH DISTURBED AREAS**  
PROJECT EARTH DISTURBED AREA: .33 ACRES  
ESTIMATED CONTRACTOR EARTH DISTURBED AREA: 0.02 ACRES  
NOTICE OF INTENT EARTH DISTURBED AREA: N/A (NOI NOT REQUIRED)

**2019 SPECIFICATIONS**  
THE STANDARD SPECIFICATIONS OF THE STATE OF OHIO, DEPARTMENT OF TRANSPORTATION, INCLUDING SUPPLEMENTAL SPECIFICATIONS LISTED IN THE PLANS AND CHANGES LISTED IN THE PROPOSAL SHALL GOVERN THIS IMPROVEMENT.

I HEREBY APPROVE THESE PLANS AND DECLARE THAT THE MAKING OF THIS IMPROVEMENT WILL REQUIRE THE CLOSING TO TRAFFIC OF THE HIGHWAY AND THAT DETOURS WILL BE PROVIDED AS INDICATED ON SHEET 6.

APPROVED \_\_\_\_\_  
DATE \_\_\_\_\_ WARREN COUNTY ENGINEER

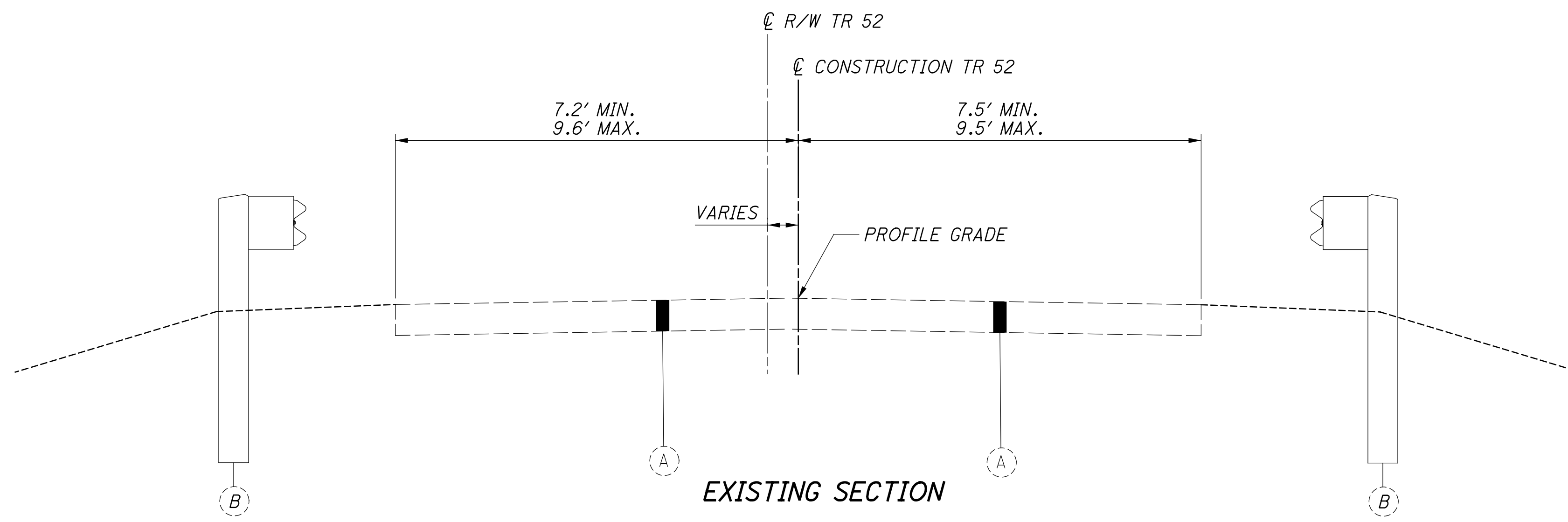
APPROVED \_\_\_\_\_  
DATE \_\_\_\_\_ WARREN COUNTY COMMISSIONER

APPROVED \_\_\_\_\_  
DATE \_\_\_\_\_ WARREN COUNTY COMMISSIONER

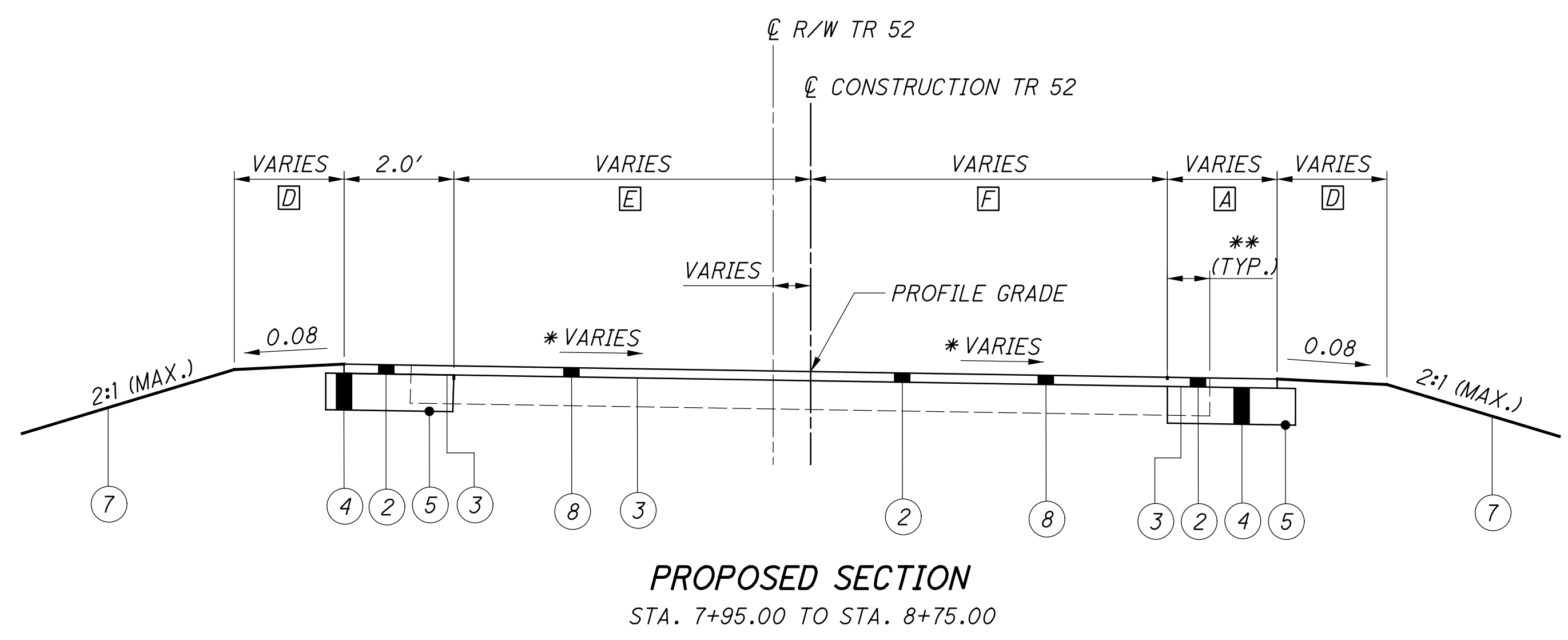
APPROVED \_\_\_\_\_  
DATE \_\_\_\_\_ WARREN COUNTY COMMISSIONER

O:\Warren Cnty Eng\018135A.00 - BR-TR0052-0402-Roach-Coz\18135-Design\Roadway\Sheets\18135-GT001.dgn Sheet 3/30/2023 4:05:19 PM jmelman

FEDERAL PROJECT NO.	N/A
CONSTRUCTION PROJECT NO.	N/A
RAILROAD INVOLVEMENT	NONE
PID NO.	110973
WAR-TR52-4.02	
1	28



- A** VARIES 2.0' TO 2.1'  
STA. 7+95.00 TO STA. 8+75.00
- B** VARIES 8.6' TO 10.0'  
STA. 8+75.00 TO STA. 9+51.75
- C** VARIES 9.5' TO 10.0'  
STA. 8+75.00 TO STA. 9+05.00
- D** VARIES 0.8' TO 2.0'  
STA. 7+95.00 TO STA. 8+75.00
- E** VARIES 5.2' TO 6.6'  
STA. 7+95.00 TO STA. 8+75.00
- F** VARIES 6.0' TO 7.3'  
STA. 7+95.00 TO STA. 8+75.00

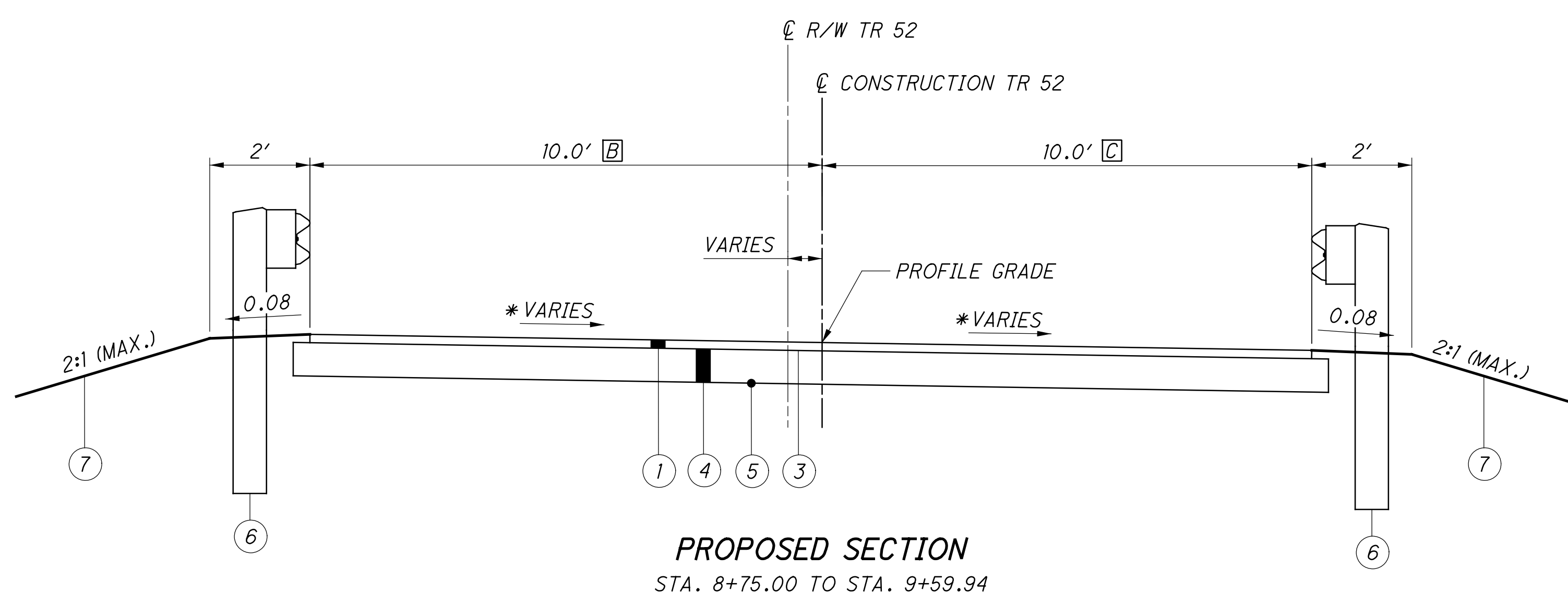


**LEGEND**

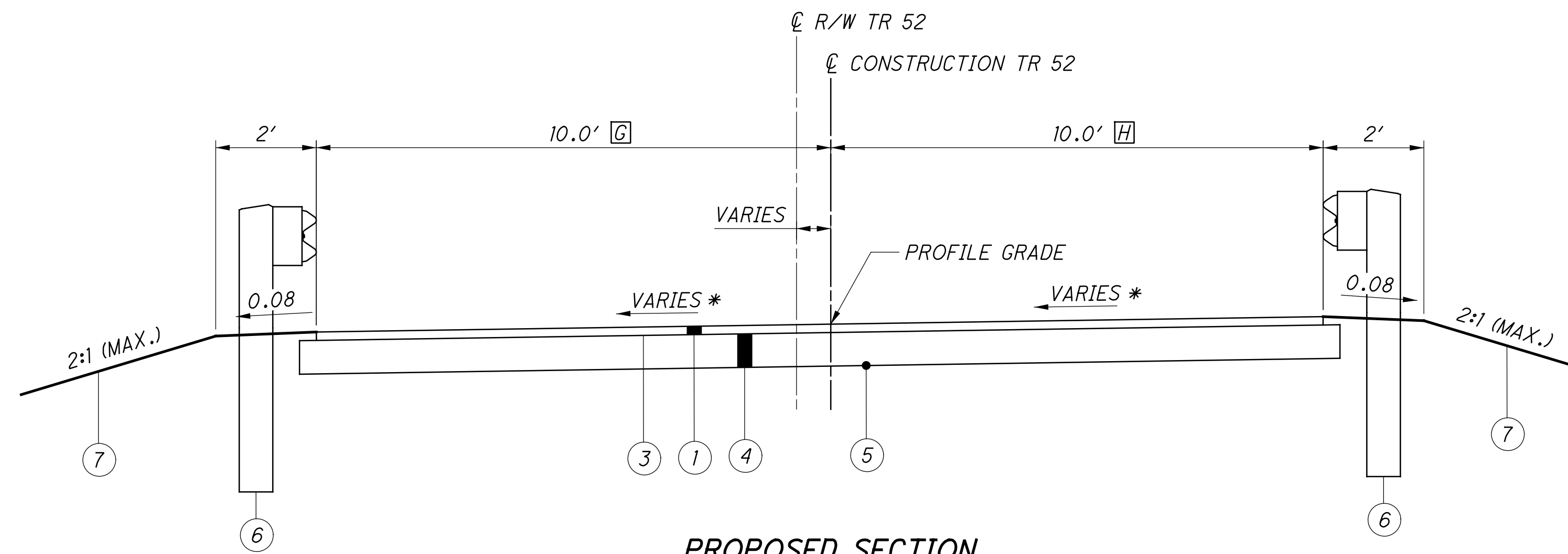
- ① ITEM 441 - 2" ASPHALT CONCRETE SURFACE COURSE, TYPE 1, (448) PG64-22
- ② ITEM 441 - VARIABLE DEPTH ASPHALT CONCRETE SURFACE COURSE, TYPE 1, (448) P664-22
- ③ ITEM 407 - TACK COAT (APPLIED AT 0.10 GAL/SY)
- ④ ITEM 301 - 8" ASPHALT CONCRETE BASE, PG 64-22 (APPLY IN TWO EQUAL LIFTS)
- ⑤ ITEM 204 - SUBGRADE COMPACTION
- ⑥ ITEM 606 - GUARDRAIL, TYPE MGS WITH LONG POSTS
- ⑦ ITEM 659 - SEEDING AND MULCHING
- ⑧ ITEM 254 - PAVEMENT PLANING, ASPHALT CONCRETE (T = 2")

- Ⓐ ASPHALT CONCRETE (THICKNESS VARIES)
- Ⓑ GUARDRAIL

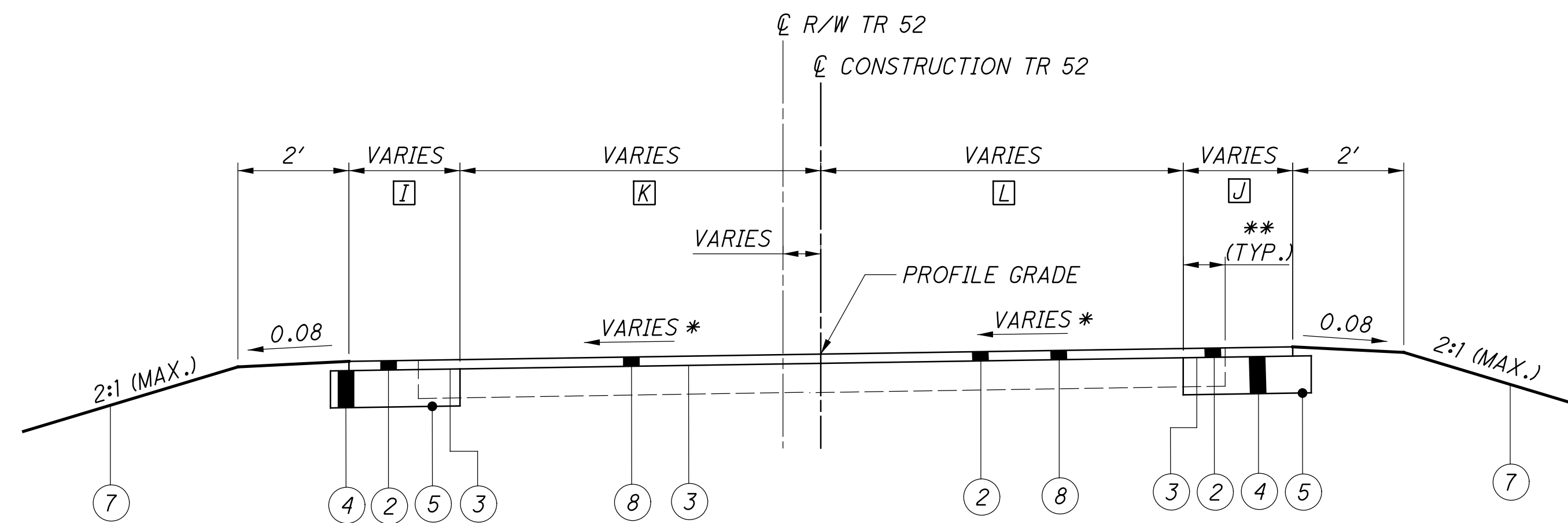
\* SEE SUPERELEVATION TABLE ON SHEET 4.  
\*\* SAWCUT EXISTING PAVEMENT TO SOUND EDGE, 1 FT MIN.



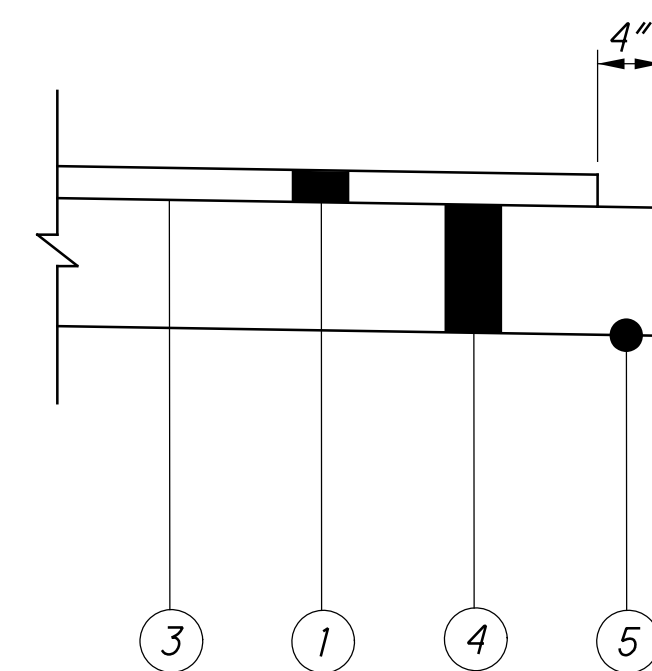
O:\Warren\_Cnty\_Eng\018135A.00 - BR\_TR0052-0402\_Roach-Coz\18135\_Design\Roadway\Sheet.s\18135\_GY002.dgn Sheet 3/30/2023 4:05:26 PM jmeliman



**PROPOSED SECTION**  
STA. 10+40.46 TO STA. 11+50.00



**PROPOSED SECTION**  
STA. 11+50.00 TO STA. 12+26.00



**STEP DETAIL**

- G VARIES 10.0' TO 9.4'  
STA. 10+98.40 TO STA. 11+50.00
- H VARIES 10.0' TO 8.7'  
STA. 10+87.40 TO STA. 11+50.00
- I VARIES 2.6' TO 2.0'  
STA. 11+50.00 TO STA. 12+26.00
- J VARIES 3.2' TO 2.0'  
STA. 11+50.00 TO STA. 12+26.00
- K VARIES 6.8' TO 5.7'  
STA. 11+50.00 TO STA. 12+26.00
- L VARIES 5.5' TO 6.3'  
STA. 11+50.00 TO STA. 11+82.33  
VARIES 6.3' TO 5.5'  
STA. 11+82.33 TO STA. 12+26.00

**LEGEND**

- 1 ITEM 441 - 2" ASPHALT CONCRETE SURFACE COURSE, TYPE 1, (448) P664-22
- 2 ITEM 441 - VARIABLE DEPTH ASPHALT CONCRETE SURFACE COURSE, TYPE 1, (448) P664-22
- 3 ITEM 407 - TACK COAT (APPLIED AT 0.10 GAL/SY)
- 4 ITEM 301 - 8" ASPHALT CONCRETE BASE, PG 64-22 (APPLY IN TWO EQUAL LIFTS)
- 5 ITEM 204 - SUBGRADE COMPACTION
- 6 ITEM 606 - GUARDRAIL, TYPE MGS WITH LONG POSTS
- 7 ITEM 659 - SEEDING AND MULCHING
- 8 ITEM 254 - PAVEMENT PLANING, ASPHALT CONCRETE (T = 2")

\* SEE SUPERELEVATION TABLE ON SHEET 4.  
\*\* SAWCUT EXISTING PAVEMENT TO SOUND EDGE, 1 FT MIN.

**UTILITIES**

LISTED BELOW ARE ALL UTILITIES LOCATED WITHIN THE PROJECT CONSTRUCTION LIMITS TOGETHER WITH THEIR RESPECTIVE OWNERS:

**ELECTRIC:**

DUKE ENERGY  
2010 DANA AVENUE  
ROOM EF 324  
CINCINNATI, OH 45207  
TROY DITTMER  
513-458-3844 (OFFICE)  
513-504-0082 (CELL)

**COMMUNICATION:**

TDS COMMUNICATION  
JEFF WELLS  
616-301-3033

**CABLE TV:**

SPECTRUM  
KENT RIEGER  
513-386-5499 (OFFICE)  
513-233-5678 (CELL)

**WATER:**

WESTERN WATER  
PAUL KILBURN  
513-899-3211 (OFFICE)  
513-490-1367 (CELL)

THE LOCATION OF THE UNDERGROUND UTILITIES SHOWN ON THE PLANS ARE AS OBTAINED FROM THE OWNERS AS REQUIRED BY SECTION 153.64 O.R.C.

**SURVEYING PARAMETERS**

USE THE FOLLOWING PROJECT CONTROL, VERTICAL POSITIONING, AND HORIZONTAL POSITIONING PARAMETERS FOR ALL SURVEYING:

**PROJECT CONTROL**

POSITIONING METHOD: ODOT VRS  
MONUMENT TYPE: VARIES - SEE TABLE

**VERTICAL POSITIONING**

ORTHOMETRIC HEIGHT DATUM: NAVD88  
GEOID: GEOID 12B (CONUS)

**HORIZONTAL POSITIONING**

REFERENCE FRAME: NAD83 (2011)  
ELLIPSOID: GRS80  
MAP PROJECTION: LAMBERT CONFORMAL CONIC  
COORDINATE SYSTEM: OHIO STATE PLANE, SOUTH ZONE (3402)  
COMBINED SCALE FACTOR: 0.99990295  
PROJECT SCALE FACTOR: 1.00009706  
ORIGIN OF COORD. SYSTEM: 0,0

USE THE POSITIONING METHODS AND MONUMENT TYPE USED IN THE ORIGINAL SURVEY TO RESTORE ALL MONUMENTS RELATED TO PRIMARY PROJECT CONTROL THAT ARE DAMAGED OR DESTROYED BY CONSTRUCTION ACTIVITIES. RESTORE THE DAMAGED OR DESTROYED MONUMENTS IN ACCORDANCE WITH CMS 623.

UNITS ARE IN U.S. SURVEY FEET.

**WORK LIMITS**

THE WORK LIMITS SHOWN ON THESE PLANS ARE FOR PHYSICAL CONSTRUCTION ONLY. PROVIDE THE INSTALLATION AND OPERATION OF ALL WORK ZONE TRAFFIC CONTROL AND WORK ZONE TRAFFIC CONTROL DEVICES REQUIRED BY THESE PLANS WHETHER INSIDE OR OUTSIDE THESE WORK LIMITS.

**CLEARING AND GRUBBING**

REMOVE ALL TREES AND STUMPS SPECIFICALLY MARKED FOR REMOVAL WITHIN THE CONSTRUCTION LIMITS UNDER THE LUMP SUM BID FOR ITEM 201, CLEARING AND GRUBBING. THE FOLLOWING IS AN APPROXIMATE ESTIMATE OF THE NUMBER OF TREES AND STUMPS TO BE REMOVED.

SIZES	NO. TREES	NO. STUMPS	TOTAL
12"	2	0	2

**SEEDING AND MULCHING**

THE FOLLOWING QUANTITIES ARE PROVIDED TO PROMOTE GROWTH AND CARE OF PERMANENT SEEDED AREAS:

659, TOPSOIL	80	CU. YD.
659, SEEDING AND MULCHING	720	SQ. YD.
659, REPAIR SEEDING AND MULCHING	36	SQ. YD.

659, COMMERCIAL FERTILIZER	0.1	TON
659, LIME	0.15	ACRES
659, WATER	3.89	M. GAL.

SEEDING AND MULCHING SHALL BE APPLIED TO ALL AREAS OF EXPOSED SOIL BETWEEN THE RIGHT-OF-WAY LINES, AND WITHIN THE CONSTRUCTION LIMITS FOR AREAS OUTSIDE THE RIGHT-OF-WAY LINES COVERED BY WORK AGREEMENT OR SLOPE EASEMENT. QUANTITY CALCULATIONS FOR SEEDING AND MULCHING ARE BASED ON THESE LIMITS.

**ANCHOR ASSEMBLY, MGS TYPE E**

THIS ITEM SHALL CONSIST OF FURNISHING AND INSTALLING ANY OF THE GUARDRAIL END TERMINALS FOR TYPE MGS GUARDRAIL AS LISTED ON ROADWAY ENGINEERING'S WEB PAGE UNDER ROADSIDE SAFETY DEVICES FOR APPROVED GUARDRAIL END TREATMENTS. INSTALLATION SHALL BE AT THE LOCATIONS SPECIFIED IN THE PLANS, IN ACCORDANCE WITH THE MANUFACTURER'S SPECIFICATIONS.

THE FACE OF THE TYPE E IMPACT HEAD SHALL BE COVERED WITH A SHEET OF TYPE J, ASTM D4956 TYPE XI REFLECTIVE SHEETING, PER CMS 730.193.

REFER TO THE MANUFACTURER'S INSTRUCTIONS REGARDING THE INSTALLATION OF, AND THE GRADING AROUND THE FOUNDATION TUBES AND GROUND STRUT. THE TOP OF ANY FOUNDATION TUBE SHOULD BE LESS THAN 4 INCHES ABOVE THE GROUND. THE PLACEMENT OF THE FOUNDATION TUBES SHOULD BE AN APPROPRIATE DEPTH BELOW THE LEVEL LINE IN ORDER TO MAINTAIN THE FINISHED GUARDRAIL HEIGHT OF 31 INCHES FROM THE EDGE OF THE SHOULDER.

ON-SITE GRADING IS REQUIRED IF THE TOP OF THE FOUNDATION TUBES OR TOP OF THE GROUND STRUT DOES PROJECT MORE THAN 4 INCHES ABOVE THE GROUND LINE.

PAYMENT FOR THE ABOVE WORK SHALL BE MADE AT THE UNIT PRICE BID FOR ITEM 606, ANCHOR ASSEMBLY, MGS TYPE E, EACH, AND SHALL INCLUDE ALL LABOR, TOOLS, EQUIPMENT AND MATERIALS NECESSARY TO CONSTRUCT A COMPLETE AND FUNCTIONAL ANCHOR ASSEMBLY SYSTEM, INCLUDING ALL RELATED TRANSITIONS, REFLECTIVE SHEETING, HARDWARE, GRADING, EMBANKMENT AND EXCAVATION NOT SEPERATELY SPECIFIED, AS REQUIRED BY THE MANUFACTURER.

**RESIDENTIAL DRIVES**

ITEM 441 - 1/4" ASPHALT CONCRETE SURFACE COURSE, TYPE 1, (448), PG64-22  
ITEM 407 - TACK COAT (APPLIED AT 0.10 GAL/SY)  
ITEM 301 - 3 1/2" ASPHALT CONCRETE BASE, PG64-22

**EXISTING PLANS**

EXISTING PLANS ENTITLED WA 52-4.02-85 MAY BE INSPECTED IN THE WARREN COUNTY ENGINEER'S OFFICE AT 210 W MAIN ST, LEBANON, OH 45036.

ID	GRID		GROUND		ELEVATION	DESCRIPTION
	NORTHING	EASTING	NORTHING	EASTING		
S1	480209.714	1514807.722	480256.323	1514954.748	836.74	Iron Pin w/ Cap
S2	480668.307	1515565.604	480714.960	1515712.704	849.98	Iron Pin w/ Cap
S3	480061.878	1514568.407	480108.473	1514715.410	825.70	Iron Pin w/ Cap
S4	479875.058	1514452.441	479921.634	1514599.433	812.43	Iron Pin w/ Cap
S5	479812.651	1514243.848	479859.221	1514390.820	816.01	Iron Pin w/ Cap
S6	479607.846	1514008.234	479654.396	1514155.183	839.42	Iron Pin w/ Cap

SUPERELEVATION TABLE - CURVE 1												
LEFT SIDE					CENTERLINE CONTROL			RIGHT SIDE				
EDGE ELEVATION	TRANSITION RATE	ELEVATION CORRECTION	CROSS SLOPE	WIDTH	STATION	PROFILE GRADE	WIDTH	CROSS SLOPE	ELEVATION CORRECTION	TRANSITION RATE	EDGE ELEVATION	REMARKS
825.88	1630:1	0.07	0.010	7.15	7+95.00	825.81	7.99	-0.039	-0.31	16765:1	825.50	EXISTING
825.25		0.07	0.010	7.25	8+00.00	825.18	8.09	-0.039	-0.32		824.86	
822.36		0.09	0.012	7.70	8+25.00	822.27	8.55	-0.039	-0.34		821.93	
819.97		0.11	0.013	8.15	8+50.00	819.86	9.00	-0.040	-0.36		819.50	
818.08		0.13	0.015	8.61	8+75.00	817.95	9.45	-0.040	-0.38		817.57	
816.79	144:1	0.14	0.016	9.01	8+97.54	816.65	9.86	-0.040	-0.39	198:1	816.26	PC
816.68		0.15	0.016	9.01	9+00.00	816.53	9.90	-0.040	-0.40		816.13	
816.16		0.15	0.017	9.11	9+12.50	816.01	10.00	-0.040	-0.40		815.61	
815.70		0.08	0.008	9.21	9+25.00	815.62	10.00	-0.034	-0.34		815.28	
814.93		-0.09	-0.009	9.93	9+50.00	815.02	10.00	-0.021	-0.21		814.81	
814.63	-0.16	-0.016	10.00	9+59.94	814.79	10.00	-0.016	-0.16	814.63	PT/ NC		

SUPERELEVATION TABLE - CURVE 2												
LEFT SIDE					CENTERLINE CONTROL			RIGHT SIDE				
EDGE ELEVATION	TRANSITION RATE	ELEVATION CORRECTION	CROSS SLOPE	WIDTH	STATION	PROFILE GRADE	WIDTH	CROSS SLOPE	ELEVATION CORRECTION	TRANSITION RATE	EDGE ELEVATION	REMARKS
814.51	313:1	-0.16	-0.016	10.00	10+40.46	814.67	10.00	-0.016	-0.16	143:1	814.51	PC/ NC
814.25		-0.19	-0.019	10.00	10+50.00	814.44	10.00	-0.009	-0.09		814.35	
813.58		-0.27	-0.027	10.00	10+75.00	813.85	10.00	0.008	0.08		813.93	
812.91		-0.35	-0.035	9.99	11+00.00	813.26	9.67	0.026	0.25		813.51	
812.53		-0.42	-0.043	9.79	11+25.00	812.95	9.11	0.043	0.39		813.34	
812.67	645:1	-0.37	-0.039	9.36	11+50.00	813.04	8.67	0.026	0.23	148:1	813.27	
813.23		-0.31	-0.035	8.71	11+75.00	813.54	8.36	0.009	0.08		813.62	
813.47		-0.29	-0.034	8.48	11+82.31	813.76	8.29	0.004	0.03		813.79	PT
814.18		-0.26	-0.031	8.15	12+00.00	814.44	7.95	-0.008	-0.06		814.38	
815.54		-0.21	-0.027	7.69	12+25.00	815.75	7.50	-0.025	-0.19		815.56	
815.60	-0.21	-0.027	7.68	12+26.00	815.81	7.48	-0.025	-0.19	815.62	EXISTING		

CALCULATED  
NRP  
CHECKED  
JLM

GENERAL NOTES

WAR - TR52 - 4.02

O:\Warren\_Cnty\_Eng\018135A.00 - BR\_TR0052-0402\_Roach-Coz\18135\_Design\Roadway\Sheets\18135\_GN001.dgn\_Sheet 3/30/2023 4:05:27 PM jmelman



O:\Warren\_Cnty\_Eng\018135A.00 - BR\_TR0052-0402\_Roach-Coz\18135\_Design\01\18135\_Sheets\18135\_MN001.dgn\_Sheet\_3/30/2023 4:05:28 PM jmeliman

**ITEM 614, MAINTAINING TRAFFIC**

A MINIMUM OF ONE LANE OF TRAFFIC IN EACH DIRECTION SHALL BE MAINTAINED AT ALL TIMES, EXCEPT FOR A PERIOD NOT TO EXCEED 90 CONSECUTIVE CALENDAR DAYS, WHEN THROUGH TRAFFIC MAY BE DETOURED AS SHOWN ON SHEET 6. LIQUIDATED DAMAGES SHALL BE ASSESSED PER CMS 108.07 FOR EACH CALENDAR DAY THE ROADWAY REMAINS CLOSED TO TRAFFIC BEYOND THE SPECIFIED LIMIT.

LENGTH AND DURATION OF LANE CLOSURES AND RESTRICTIONS SHALL BE AT THE APPROVAL OF THE ENGINEER. IT IS THE INTENT TO MINIMIZE THE IMPACT TO THE TRAVELING PUBLIC. LANE CLOSURES OR RESTRICTIONS OVER SEGMENTS OF THE PROJECT IN WHICH NO WORK IS ANTICIPATED WITHIN A REASONABLE TIME FRAME, AS DETERMINED BY THE ENGINEER, SHALL NOT BE PERMITTED. THE LEVEL OF UTILIZATION OF MAINTENANCE OF TRAFFIC DEVICES SHALL BE COMMENSURATE WITH THE WORK IN PROGRESS.

NOTICE OF CLOSURE SIGNS (W20-H13) SHALL BE ERECTED BY THE CONTRACTOR TWO WEEKS PRIOR TO THE SCHEDULED ROAD CLOSURE. ACCESS TO DRIVEWAYS SHOULD BE MAINTAINED AT ALL TIMES.

ROAD WILL BE  
CLOSED  
FOR 90 DAYS  
INFO: 513-695-3301

W20-H13-60

THE SIGNS SHALL BE ERECTED ON THE RIGHT-HAND SIDE OF THE ROAD FACING TRAFFIC. THEY SHALL BE PLACED SO AS NOT TO INTERFERE WITH THE VISIBILITY OF ANY OTHER TRAFFIC CONTROL SIGNS. ON ROADWAYS, THEY SHOULD BE ERECTED AT OR NEAR THE POINT OF CLOSURE.

ALL WORK AND TRAFFIC CONTROL DEVICES SHALL BE IN ACCORDANCE WITH C&MS 614 AND OTHER APPLICABLE PORTIONS OF THE SPECIFICATIONS, AS WELL AS THE OHIO MANUAL OF UNIFORM TRAFFIC CONTROL DEVICES. PAYMENT FOR ALL LABOR, EQUIPMENT AND MATERIALS SHALL BE INCLUDED IN THE LUMP SUM CONTRACT PRICE FOR ITEM 614, MAINTAINING TRAFFIC, UNLESS SEPARATELY ITEMIZED IN THE PLAN.

CALCULATED  
RSH  
CHECKED  
JLM

MAINTENANCE OF TRAFFIC GENERAL NOTES

WAR-TR52-4.02

O:\Warren Cnty Eng\018135A.00 - BR\_TR0052-0402\_Roach-Coz\18135\_Sheets\18135\_MDOT\_Sheets\18135\_MDOT.dgn Sheet 3/30/2023 4:05:30 PM jmelman



DETOUR ROUTE

1  
ROAD CLOSED  
R11-2-48  
ON TYPE III BARRICADE

2  
OPEN TO ADDRESS 8395  
BRIDGE OUT  
0.20 MILES AHEAD  
LOCAL TRAFFIC ONLY  
DETOUR  
SPECIAL - 42" x 24"  
(BLACK ON ORANGE)  
R11-3B-60  
M4-10R-48  
ON TYPE III BARRICADE

3  
OPEN TO ADDRESS 8340  
BRIDGE OUT  
0.70 MILES AHEAD  
LOCAL TRAFFIC ONLY  
DETOUR  
SPECIAL - 42" x 24"  
(BLACK ON ORANGE)  
R11-3B-60  
M4-10L-48  
ON TYPE III BARRICADE

4  
DETOUR  
ROACHESTER-COZADDALE RD  
M4-8-12  
D3-1  
M6-3-12  
(BLACK ON ORANGE)

5  
DETOUR  
ROACHESTER-COZADDALE RD  
M4-8-12  
D1-1C  
M6-1R-12  
(BLACK ON ORANGE)

6  
DETOUR  
ROACHESTER-COZADDALE RD  
M4-8-12  
D3-1  
M6-1L-12  
(BLACK ON ORANGE)

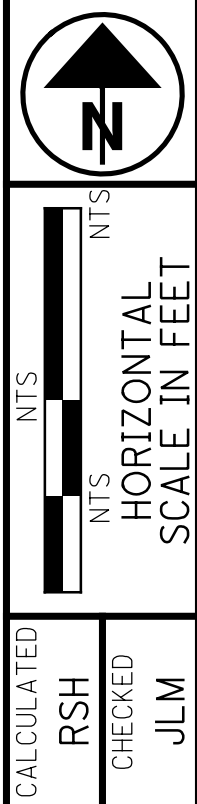
7  
END DETOUR  
M4-8a-24

8  
OPEN TO ADDRESS 8340  
BRIDGE OUT  
0.20 MILES AHEAD  
LOCAL TRAFFIC ONLY  
R11-3B-60  
ON TYPE III BARRICADE

9  
TYPE A WARNING LIGHT  
ROAD CLOSED AHEAD  
500 FEET  
W20-3-36  
W16-2P

10  
ROAD CLOSED AHEAD  
ROACHESTER-COZADDALE RD  
W20-3-36  
D3-1  
(BLACK ON ORANGE)

11  
DETOUR AHEAD  
ROACHESTER-COZADDALE RD  
W20-3-36  
D3-1  
(BLACK ON ORANGE)



CALCULATED RSH CHECKED JLM

DETOUR PLAN - TR 52

WAR-TR52-4.02

O:\Warren Cnty Eng\018135A.00 - BR\_TR0052-0402-Roach-Coz\18135\Design\Roadway\Sheets\18135\_GG001.dgn Sheet 3/30/2023 4:05:30 PM jmelman

SHEET NUM.													PART.	ITEM	ITEM	GRAND	UNIT	DESCRIPTION	SEE	CALCULATED	NRP	CHECKED	JLM
OFFICE	8	4	10											EXT	TOTAL		DESCRIPTION	SHEET					
CALCS																		NO.					
																	ROADWAY						
	448													201	11000	LS	CLEARING AND GRUBBING						
	31													202	23000	448	PAVEMENT REMOVED, ASPHALT						
	248													202	35100	31	PIPE REMOVED, 24" AND UNDER						
			68											202	38000	248	GUARDRAIL REMOVED						
														203	10000	68	EXCAVATION						
			124											203	20000	124	EMBANKMENT						
	100													606	15100	100	GUARDRAIL, TYPE MGS WITH LONG POSTS						
	4													606	35002	4	MGS BRIDGE TERMINAL ASSEMBLY, TYPE 1 (LONG POSTS)						
	4													606	26100	4	ANCHOR ASSEMBLY, TYPE E (LONG POSTS)						
	8													626	00110	8	BARRIER REFLECTOR, TYPE 2 (BI-DIRECTIONAL)						
	1													SPECIAL	69050350	1	MAILBOX REMOVED AND RESET				9		
																	EROSION CONTROL						
		80												659	00300	80	TOPSOIL						
		720												659	10000	720	SEEDING AND MULCHING						
		36												659	14000	36	REPAIR SEEDING AND MULCHING						
		0.1												659	20000	0.1	COMMERCIAL FERTILIZER						
		0.15												659	31000	0.15	LIME						
		3.89												659	35000	3.89	WATER						
														832	30000	5,000	EROSION CONTROL						
	35													611	07900	35	DRAINAGE						
																	18" CONDUIT, TYPE D, 706.02						
																	PAVEMENT						
	560													204	10000	560	SUBGRADE COMPACTION						
	214													254	01000	214	PAVEMENT PLANING, ASPHALT CONCRETE (T = 2")						
	119													301	46000	119	ASPHALT CONCRETE BASE, PG64-22						
	75													407	10000	75	TACK COAT						
	47													441	50000	47	ASPHALT CONCRETE SURFACE COURSE, TYPE 1, (448), PG64-22						
																	TRAFFIC CONTROL						
	90													630	03100	90	GROUND MOUNTED SUPPORT, NO. 3 POST						
	16													630	80100	16	SIGN, FLAT SHEET						
	17													630	84900	17	REMOVAL OF GROUND MOUNTED SIGN AND DISPOSAL						
	2													630	85000	2	REMOVAL OF GROUND MOUNTED SIGN AND STORAGE						
	15													630	86002	15	REMOVAL OF GROUND MOUNTED POST SUPPORT AND DISPOSAL						
																	STRUCTURE OVER 20 FOOT SPAN (BRIDGE NO. WAR-TR52-0402)						
																	FOR ESTIMATED QUANTITIES, SHEET SHEET 19						
																	INCIDENTALS						
														614	11000	LS	MAINTAINING TRAFFIC						
														623	10000	LS	CONSTRUCTION LAYOUT STAKES AND SURVEYING						
														624	10000	LS	MOBILIZATION						

**GENERAL SUMMARY**

**WAR - TR52 - 4.02**

O:\Warren Cnty\_Eng\018135A.00 - BR\_TR0052-0402-Roach-Coz\18135\_Design\Roadway\Sheets\18135\_GS001.dgn Sheet 3/30/2023 4:05:31 PM jmeliman

REF NO.	SHEET NO.	STATION TO STATION				202	202	202		606	606	606		626		611		630	630	630	630	630		SPECIAL		
						PAVEMENT REMOVED	PIPE REMOVED, 24" AND UNDER	GUARDRAIL REMOVED		GUARDRAIL, TYPE MGS WITH LONG POSTS	MGS BRIDGE TERMINAL ASSEMBLY, TYPE 1	ANCHOR ASSEMBLY, TYPE E		BARRIER REFLECTOR, TYPE 2		18" CONDUIT, TYPE D, 706.02		GROUND MOUNTED SUPPORT, NO. 3 POST	SIGN, FLAT SHEET	REMOVAL OF GROUND MOUNTED SIGN AND DISPOSAL	REMOVAL OF GROUND MOUNTED SIGN AND STORAGE	REMOVAL OF GROUND MOUNTED POST SUPPORT AND DISPOSAL		MAILBOX REMOVED AND RESET		
						SY	FT	FT		FT	EACH	EACH		EACH		FT	FT	SF	EACH	EACH	EACH		EACH			
R-1	9	7+95.00	℄	TO	9+59.94	℄																				
R-2	9	10+40.06	℄	TO	12+26.00	℄																				
R-3	9	12+07.38	RT																							
R-4	9	9+16.81	LT	TO	9+59.67	LT																				
R-5	9	8+92.00	RT	TO	9+59.64	RT																				
R-6	9	10+39.28	LT	TO	11+07.64	LT																				
R-7	9	10+39.26	RT	TO	11+07.30	RT																				
R-8	9	11+87.69	RT	TO	12+18.74	RT																				
GR-1	9	8+74.58	LT	TO	9+60.56	LT				12.5	1	1		2												
GR-2	9	8+42.17	RT	TO	9+60.56	RT				37.5	1	1		2												
GR-3	9	10+39.44	LT	TO	11+51.95	LT				37.5	1	1		2												
GR-4	9	10+39.44	RT	TO	11+05.43	RT				12.5	1	1		2												
D-1	9	11+87.69	RT	TO	12+22.88	RT										35										
MB-1	9	11+97.00	RT																						1	
SN1	16	9+20	LT														9.5	0.5	1						1	
SN2	16	9+41	LT														9.5	1	2						1	
SN3	16	10+49	LT														9.5	1	2						1	
SN4	16	10+91	LT																		1				2	
SN5	16	10+79	LT														9.5	0.5	1						1	
SN6	16	11+06	LT														9.5	1	2						1	
SN7	16	11+08	LT																	1					1	
SN8	16	7+89	RT														14	9								
SN9	16	8+59	RT																	1					1	
SN10	16	9+03	RT																	1					1	
SN11	16	9+35	RT																			1			2	
SN12	16	9+53	RT														9.5	1	2						1	
SN13	16	10+78	RT														9.5	1	2						1	
SN14	16	11+07	RT														9.5	1	2						1	
<b>TOTALS CARRIED TO GENERAL SUMMARY</b>						448	31	248		100	4	4		8		35		90	16	17	2	15		1		

<table border="1" style="width: 100%; border-collapse: collapse;"> <tr> <td style="text-align: center;">CALCULATED</td> <td style="text-align: center;">NRP</td> </tr> <tr> <td style="text-align: center;">CHECKED</td> <td style="text-align: center;">JLM</td> </tr> </table>	CALCULATED	NRP	CHECKED	JLM	SUBSUMMARY
CALCULATED	NRP				
CHECKED	JLM				
WAR - TR52 - 4.02	<table border="1" style="width: 100%; border-collapse: collapse;"> <tr> <td style="text-align: center;">8</td> </tr> <tr> <td style="text-align: center;">28</td> </tr> </table>	8	28		
8					
28					

**CURVE 1**  
 P.I. STA. 9+29.10  
 $\Delta = 21^{\circ}12'55''$   
 $D_c = 34^{\circ}00'00''$   
 $R = 168.52'$   
 $T = 31.56'$   
 $L = 62.40'$   
 $E = 2.93'$   
 PC = STA. 8+97.54  
 PT = STA. 9+59.94

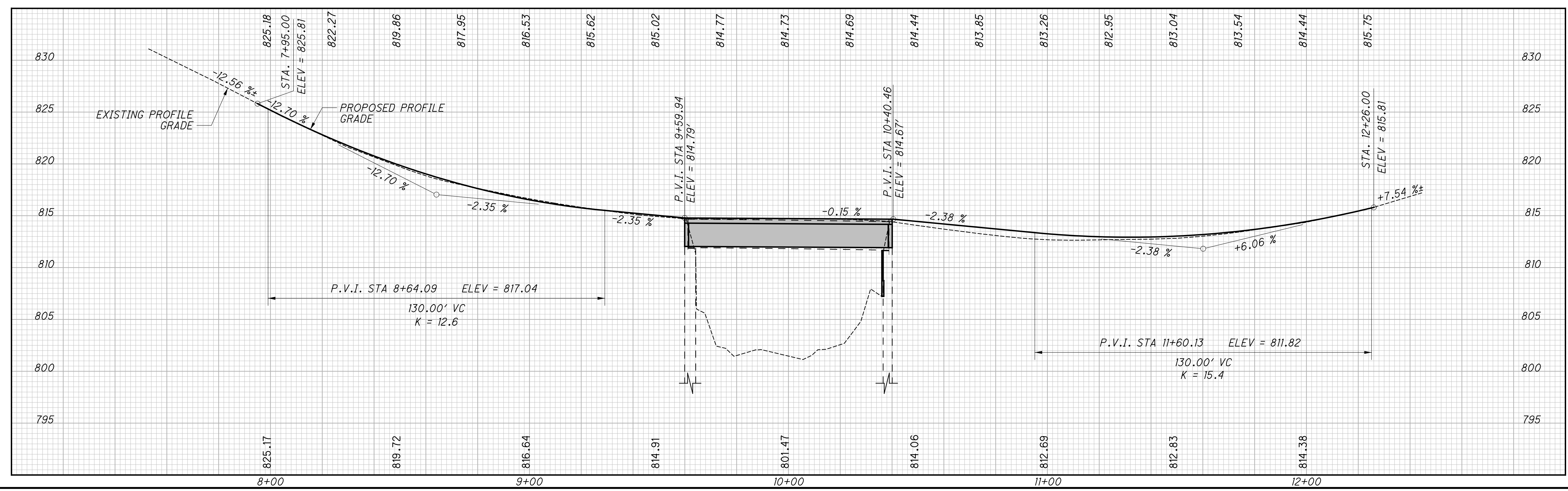
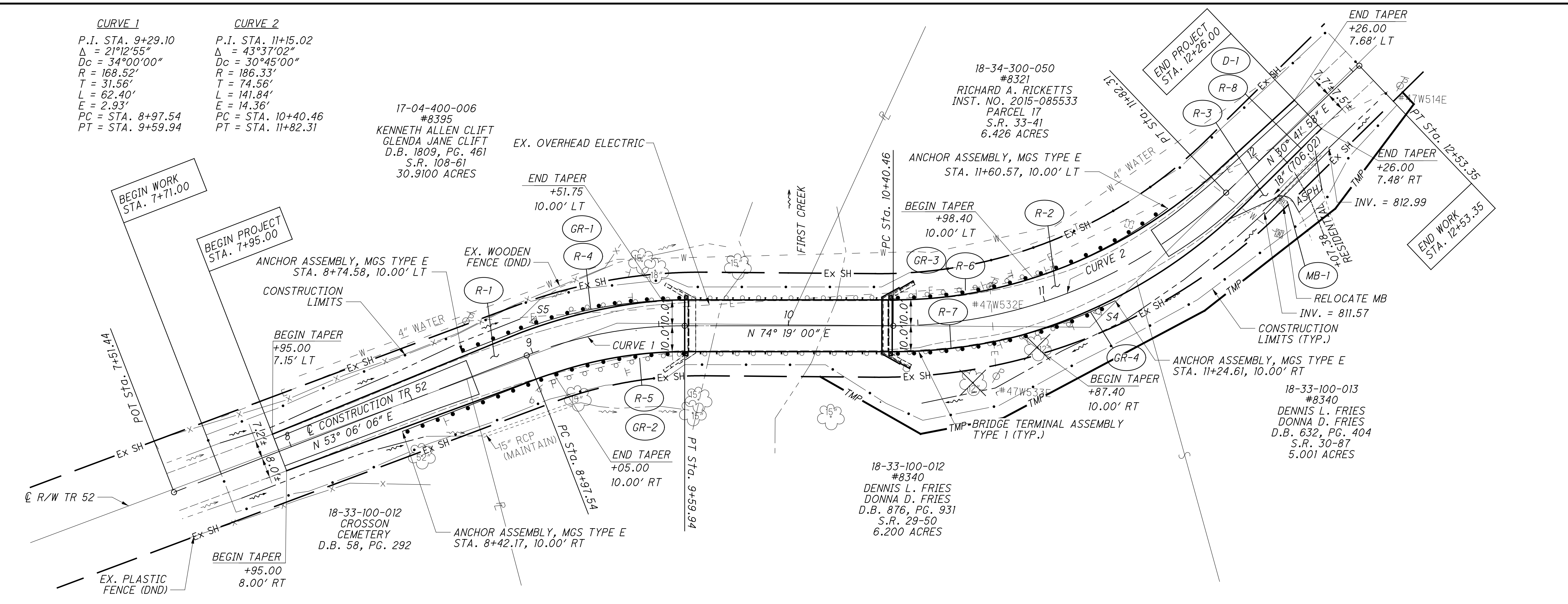
**CURVE 2**  
 P.I. STA. 11+15.02  
 $\Delta = 43^{\circ}37'02''$   
 $D_c = 30^{\circ}45'00''$   
 $R = 186.33'$   
 $T = 74.56'$   
 $L = 141.84'$   
 $E = 14.36'$   
 PC = STA. 10+40.46  
 PT = STA. 11+82.31

17-04-400-006  
 #8395  
 KENNETH ALLEN CLIFT  
 GLENDA JANE CLIFT  
 D.B. 1809, PG. 461  
 S.R. 108-61  
 30.9100 ACRES

18-34-300-050  
 #8321  
 RICHARD A. RICKETTS  
 INST. NO. 2015-085533  
 PARCEL 17  
 S.R. 33-41  
 6.426 ACRES

18-33-100-012  
 #8340  
 DENNIS L. FRIES  
 DONNA D. FRIES  
 D.B. 876, PG. 931  
 S.R. 29-50  
 6.200 ACRES

18-33-100-013  
 #8340  
 DENNIS L. FRIES  
 DONNA D. FRIES  
 D.B. 632, PG. 404  
 S.R. 30-87  
 5.001 ACRES



CALCULATED  
 NRP  
 CHECKED  
 JLM

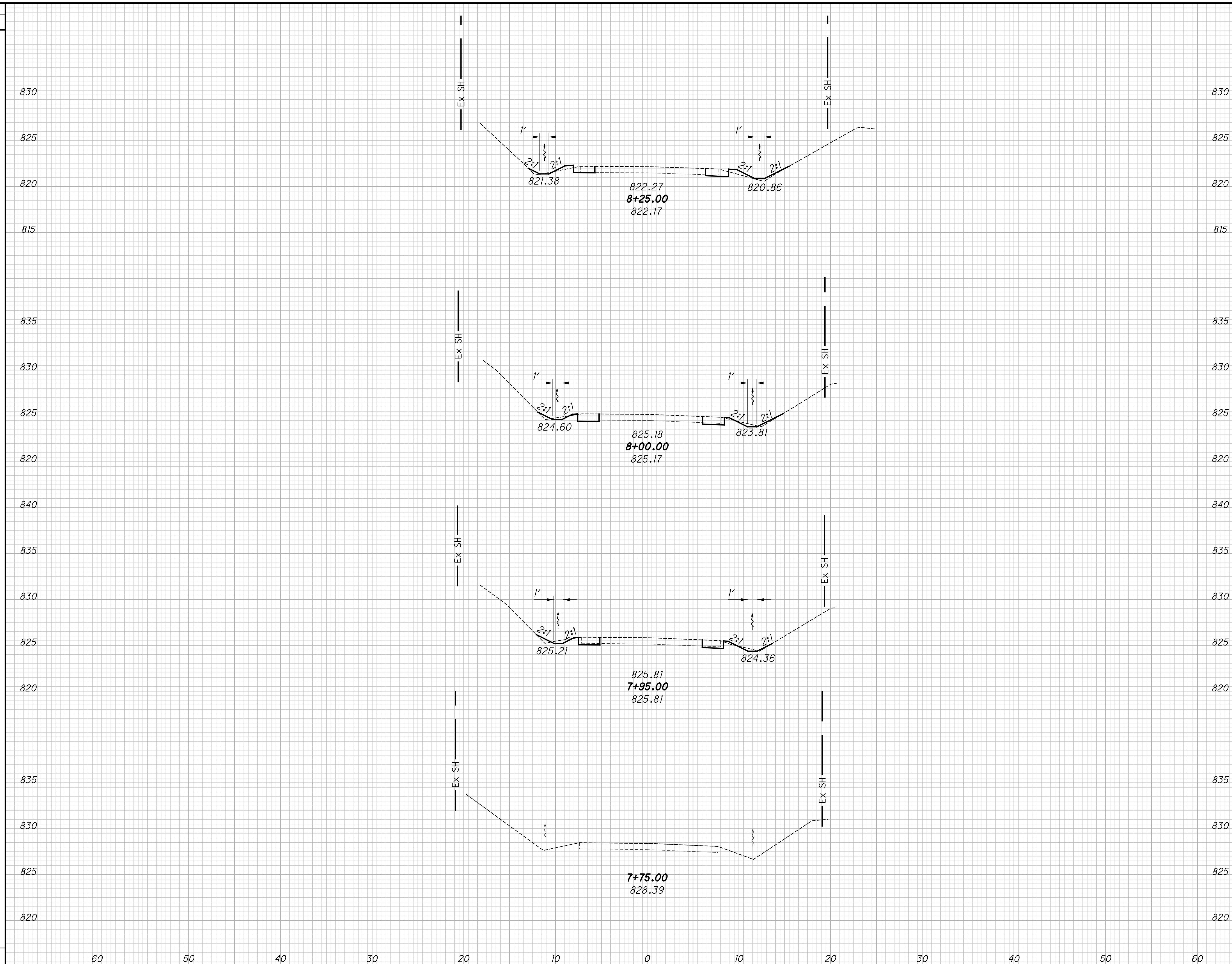
**PLAN & PROFILE - TR 52**  
**STA. 7+95.00 TO 12+26.00**

**WAR-TR52-4.02**

O:\Warren Cnty Eng\018135A.00 - BR\_TR0052-0402\_Roach-Coz\18135\_Design\Roadway\Sheets\18135\_GPO01.dgn Sheet 3/30/2023 4:05:33 PM jmelman

O:\Warren Cnty Eng\018135A.00 - BR\_TR0052-0402\_Roach-Coz\18135\Design\Roadway\Sheets\18135\_xs001.dgn XS\_SHEET\_temporary\_model\_name\_1 3/30/2023 4:05:34 PM jnellman

SEEDING	
END WIDTH	SO. YDS.
53	0
60	12
50	6
40	11
30	12
20	35
10	13



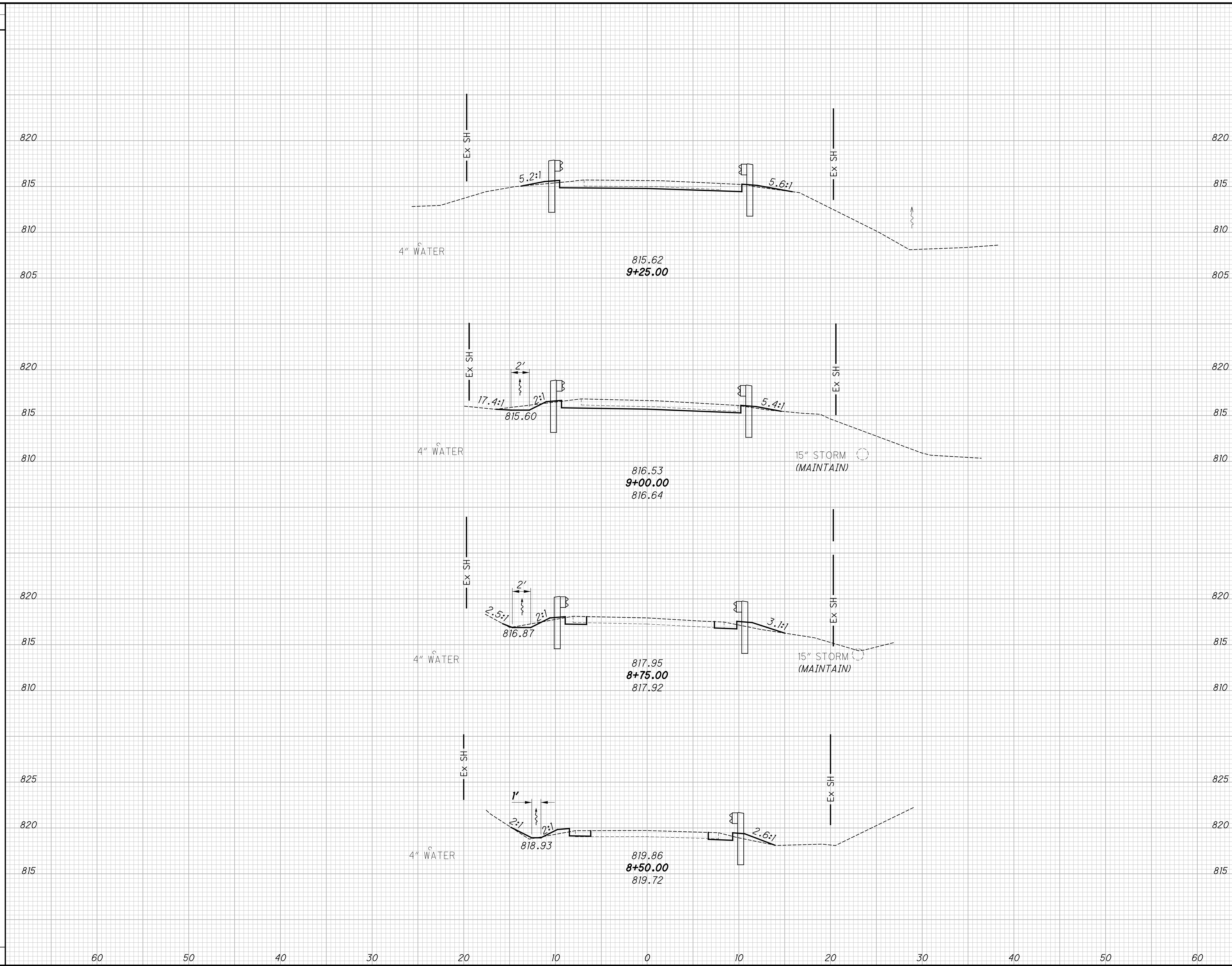
END CUT	AREA FILL	VOLUME		CALCULATED NRP	CHECKED JLM
		CUT	FILL		
2	2				
		2	1		
		0	0		
2	1				
		1	0		
0	0				
		3	1		

**CROSS SECTIONS**  
**STA. 7+75.00 TO STA. 8+25.00**

**WAR-TR52-4.02**

O:\Warren Cnty\_Eng\018135A.00 - BR\_TR0052-0402\_Roach-Coz\18135\Design\Roadway\Sheets\18135\_xs002.dgn XS\_SHEET\_temporary\_model\_name\_2 3/30/2023 4:05:35 PM jmelman

SEEDING	
END WIDTH	SO. YDS.
10	31
12	35
13	35
12	35
136	

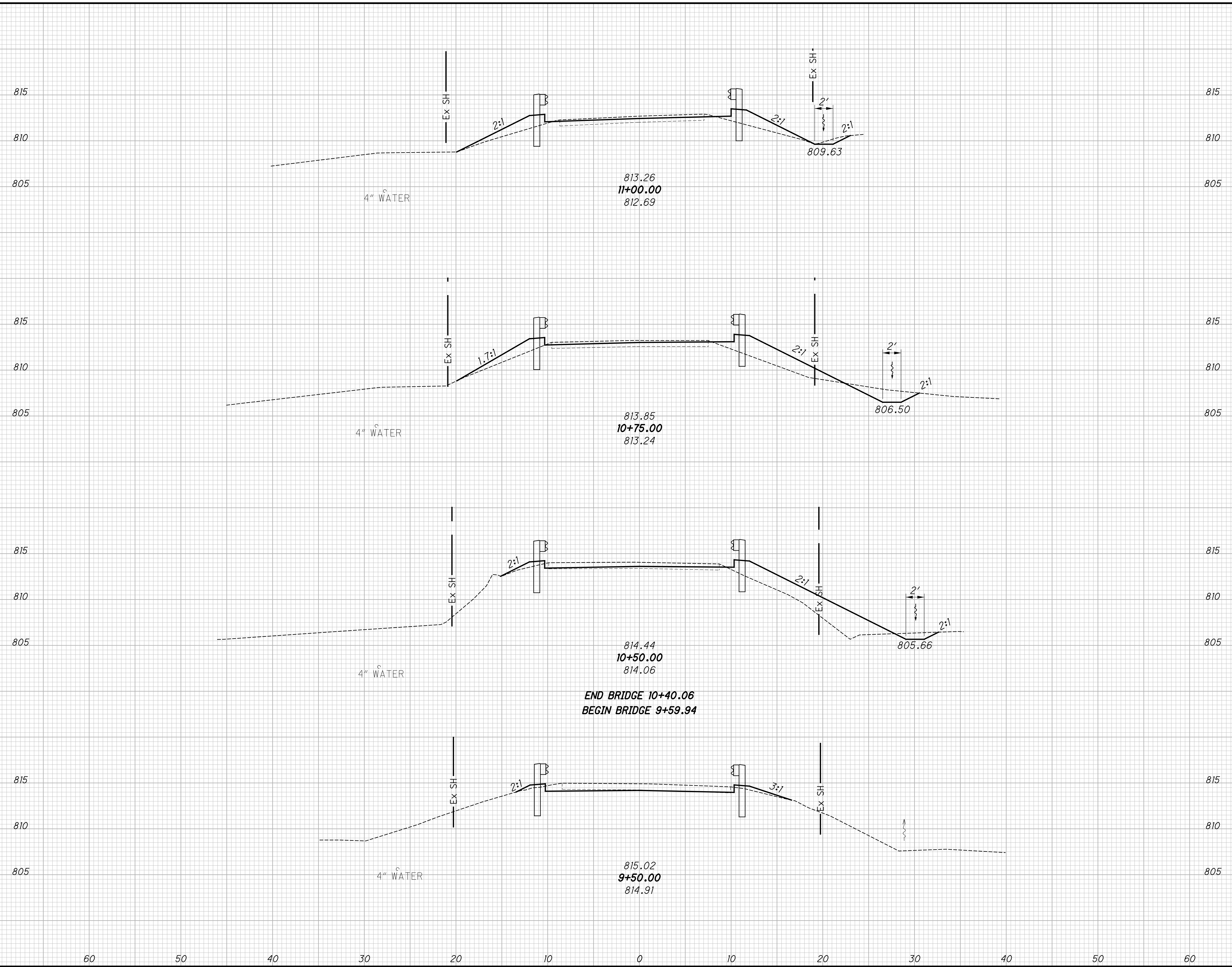


END AREA		VOLUME	
CUT	FILL	CUT	FILL
7	1	7	1
8	1	5	2
3	3	2	3
1	4	1	3
		15	9

CALCULATED NRP  
 CHECKED JLM  
**CROSS SECTIONS**  
**STA. 8+50.00 TO STA. 9+25.00**  
**WAR-TR52-4.02**

O:\Warren Cnty\_Eng\018135A.00 - BR\_TR0052-0402\_Roach-Coz\18135\Design\Roadway\Sheets\18135\_xs003.dgn XS\_SHEET\_temporary\_model\_name\_3 3/30/2023 4:05:36 PM jmelman

SEEDING	
END WIDTH	SO. YDS.
25	81
33	88
30	30
9	10
10	28
240	



END CUT	AREA FILL	VOLUME	
		CUT	FILL
1	23		
		4	25
7	32		
		4	32
2	37		
		1	14
2	37		
3	2		
		1	1
3	3		
		5	2
		15	74

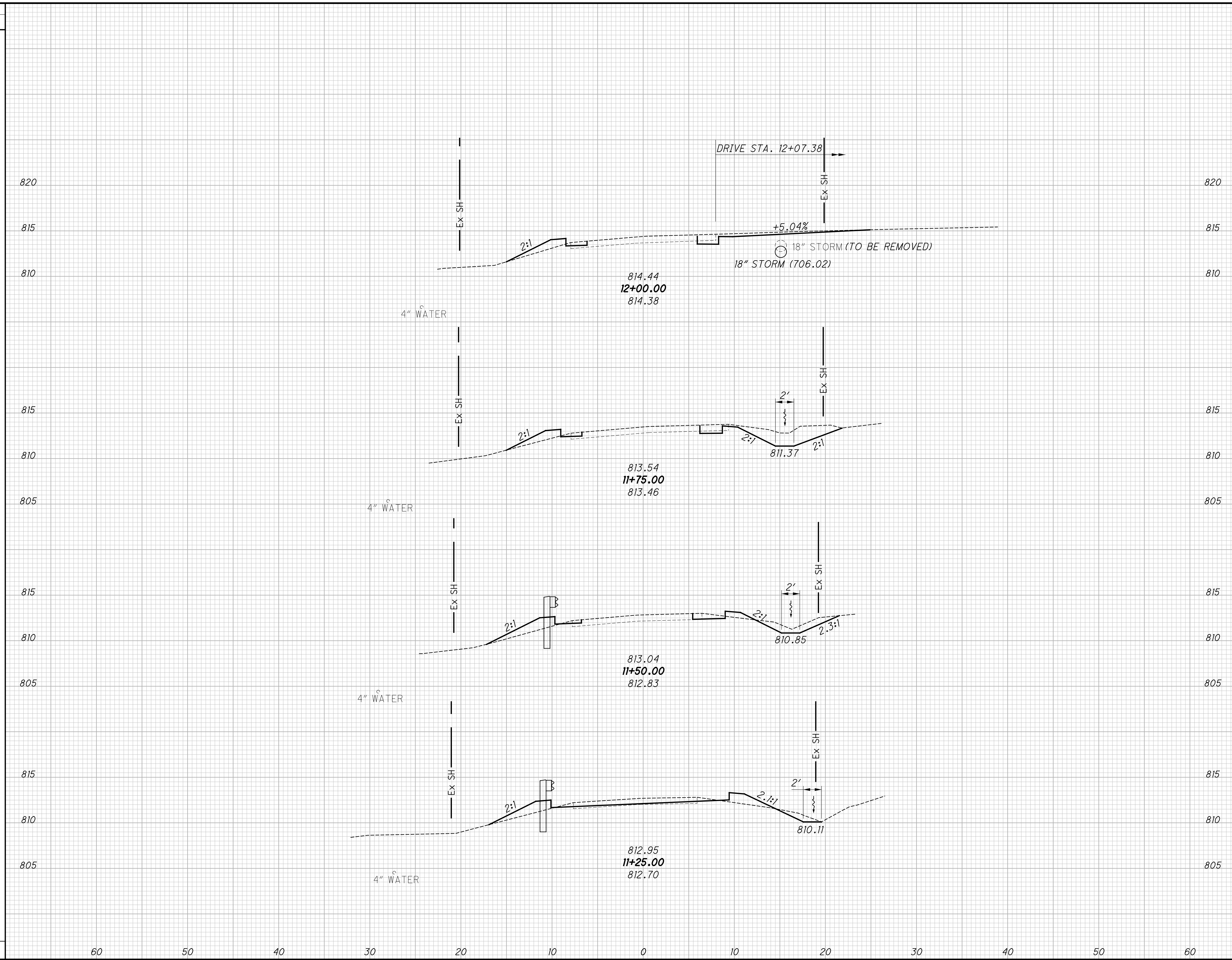
**CROSS SECTIONS**  
**STA. 9+50.00 TO STA. 11+00.00**  
**WAR-TR52-4.02**

12  
28



O:\Warren Cnty\_Eng\018135A.00 - BR\_TR0052-0402\_Roach-Coz\18135\_Design\Roadway\Sheets\18135\_xs004.dgn XS\_SHEET\_temporary\_model\_name\_4 3/30/2023 4:05:36 PM jmelman

SEEDING	
END WIDTH	SO. YDS.
215	60
18	60
56	60
22	60
60	60
21	39
7	7



END AREA		VOLUME	
CUT	FILL	CUT	FILL
4	5	8	5
14	5	9	6
6	8	4	9
3	11	2	16
		23	36

**CROSS SECTIONS**  
**STA. 11+25.00 TO STA. 12+00.00**  
**WAR-TR52-4.02**

13  
 28

O:\Warren Cnty\_Eng\018135A.00 - BR\_TR0052-0402\_Roach-Coz\18135\_Design\Roadway\Sheets\18135\_xs005.dgn XS\_SHEET\_temporary\_model\_name\_5 3/30/2023 4:05:37 PM jmelman

SEEDING	
END WIDTH	SO. YDS.
76	0
60	31
60	23
60	3
60	23
60	42

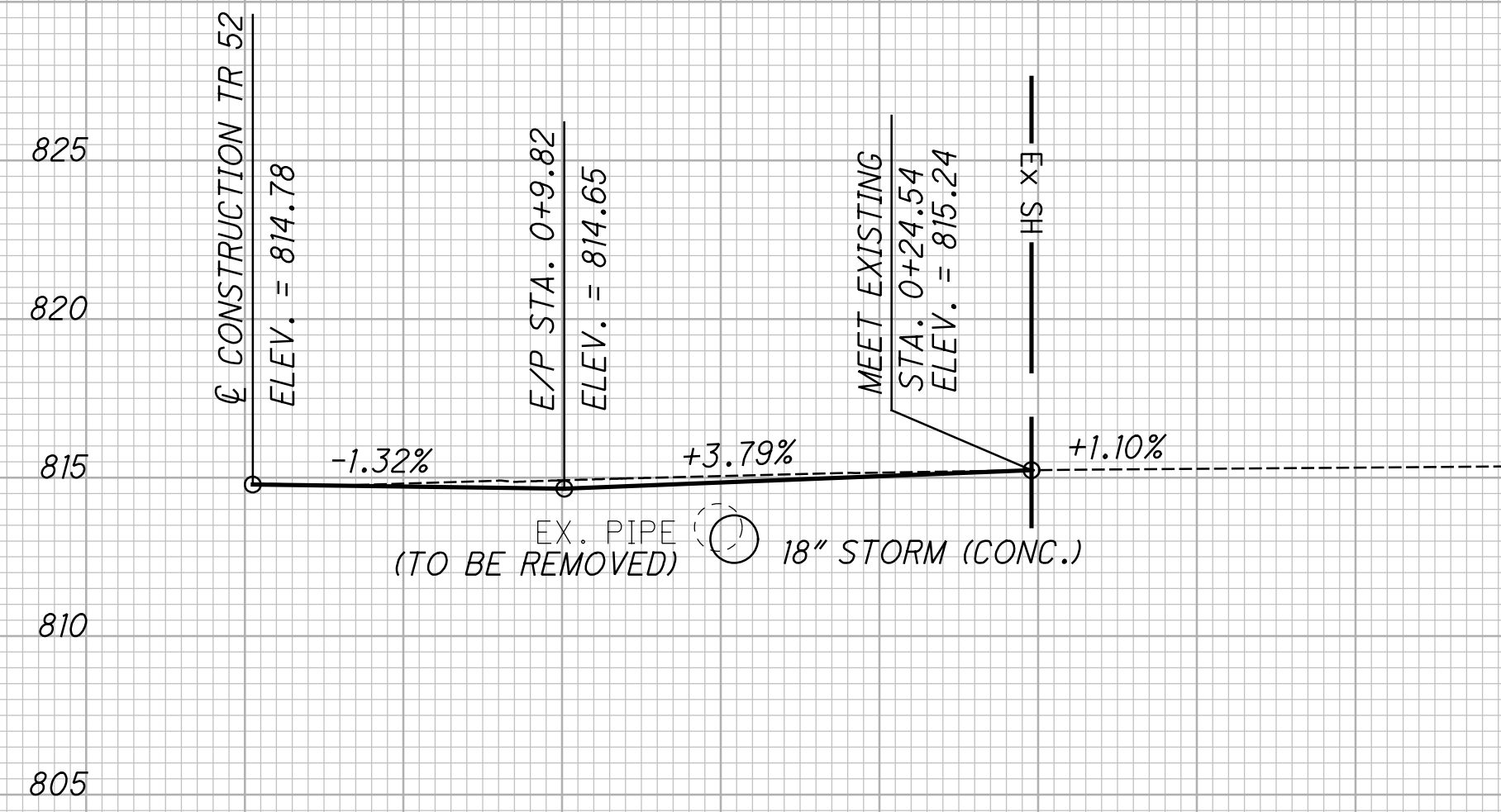


END AREA		VOLUME		CALCULATED NRP	CHECKED JLM
CUT	FILL	CUT	FILL		
0	0	0	0		
12	2	5	1		
12	2	0	0		
12	2	7	3		
12	4	12	4		

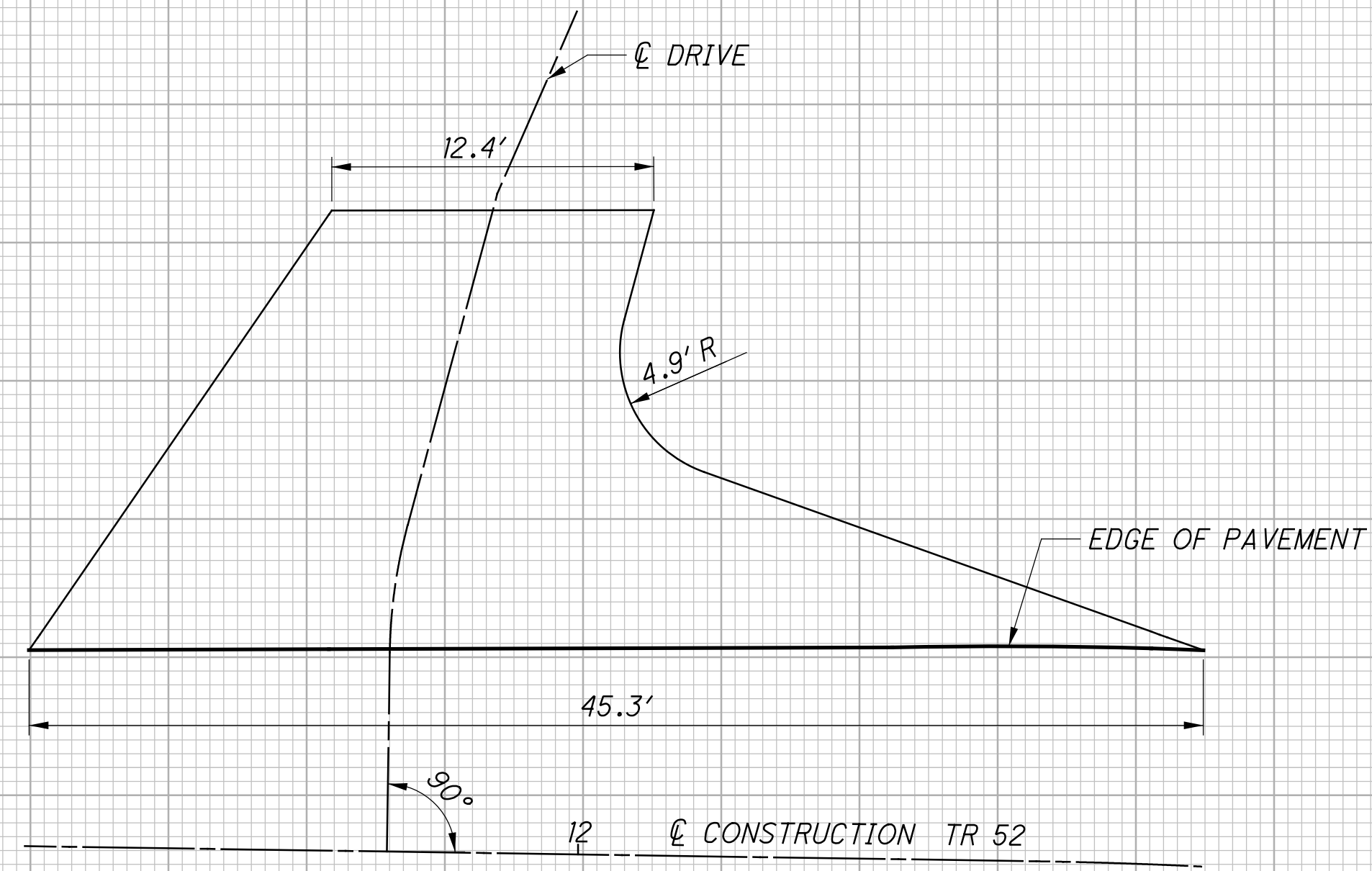
**CROSS SECTIONS**  
**STA. 12+25.00 TO STA. 12+50.00**

**WAR-TR52-4.02**

14  
28

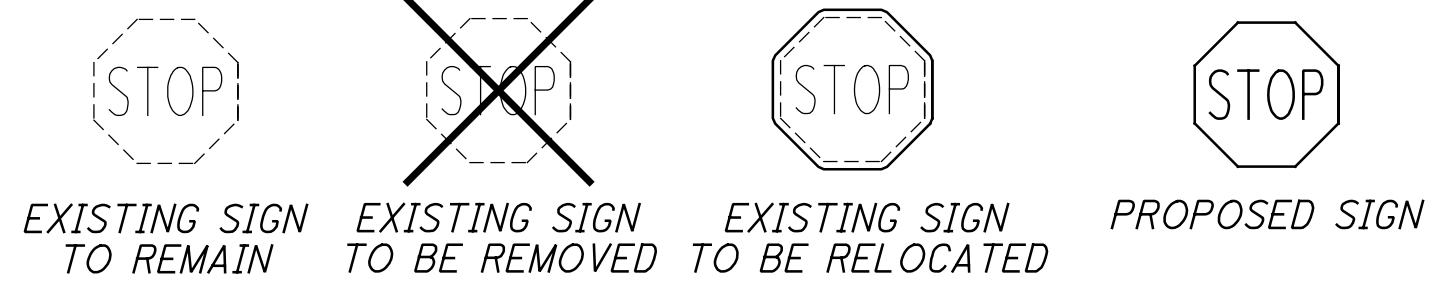


DRIVE PROFILE STA. 12+07.38, RT.



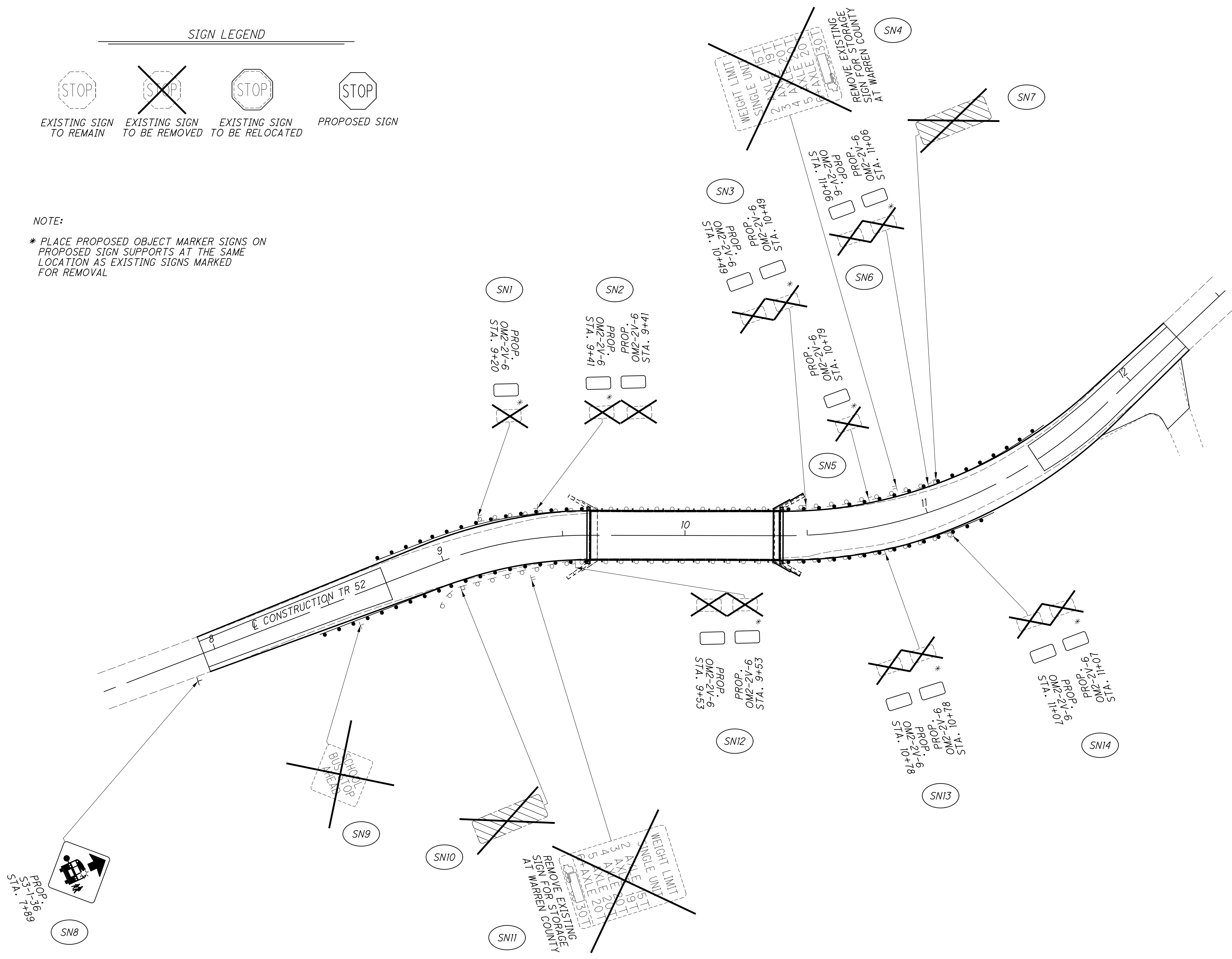
DRIVE PLAN STA. 12+07.38, RT.

SIGN LEGEND



NOTE:

\* PLACE PROPOSED OBJECT MARKER SIGNS ON PROPOSED SIGN SUPPORTS AT THE SAME LOCATION AS EXISTING SIGNS MARKED FOR REMOVAL



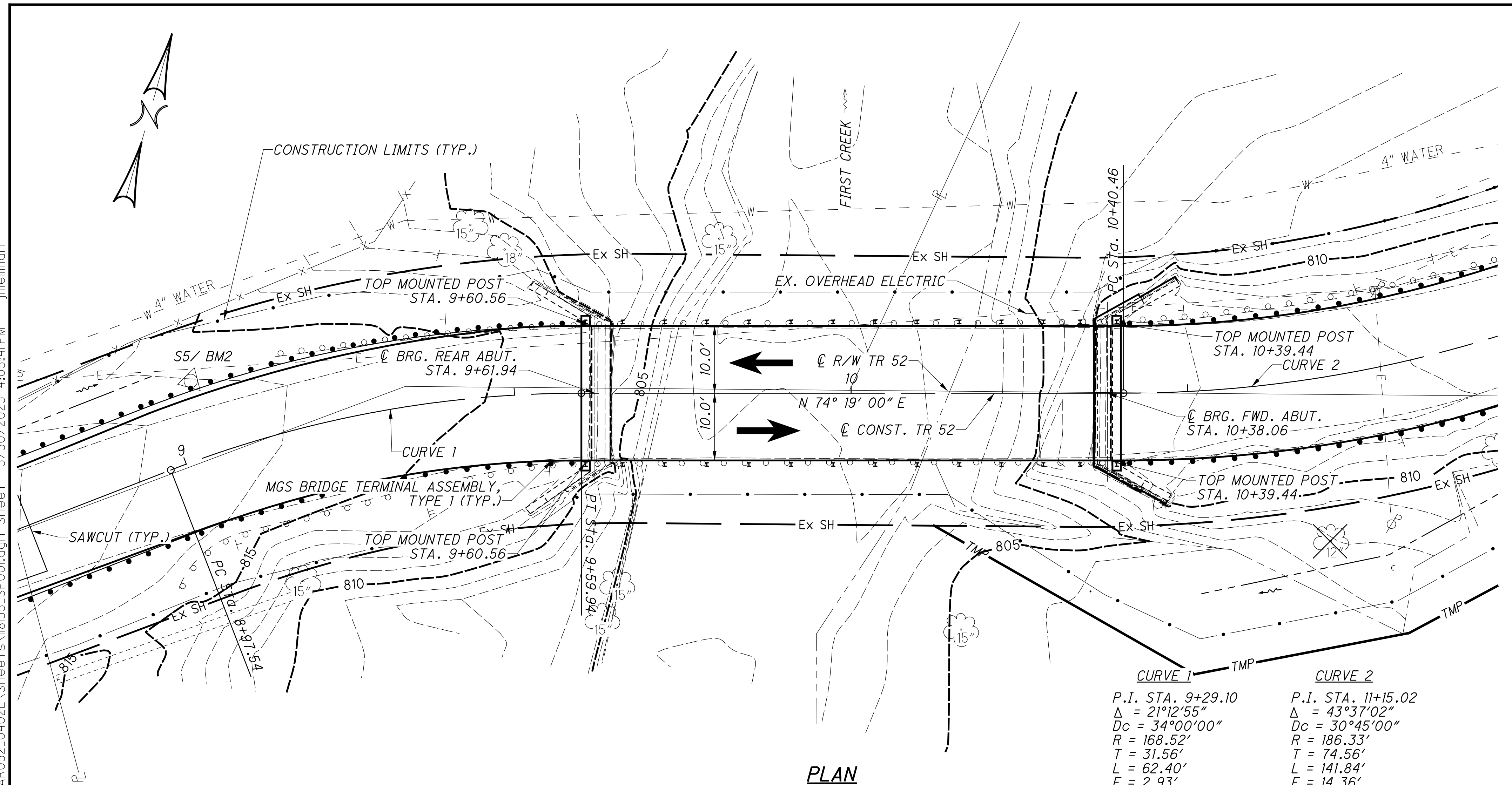
CALCULATED: RSH, CHECKED: JLM

0 20 40 HORIZONTAL SCALE IN FEET

TRAFFIC CONTROL - TR 52  
STA. 7+95.00 TO 12+26.00

WAR-TR52-4.02

O:\Warren Cnty Eng\018135A.00 - BR\_TR052-0402-Roach-Coz\18135-Design\Structures\WAR052-0402L\_Sheets\18135-SP001.dgn Sheet 3/30/2023 4:05:41PM jmelman



BENCHMARK DATA		
BM #1 STA. 11+17.36	ELEV. 812.43	OFFSET 11.05', RT.
BM #2 STA. 9+04.61	ELEV. 816.01	OFFSET 11.43', LT.

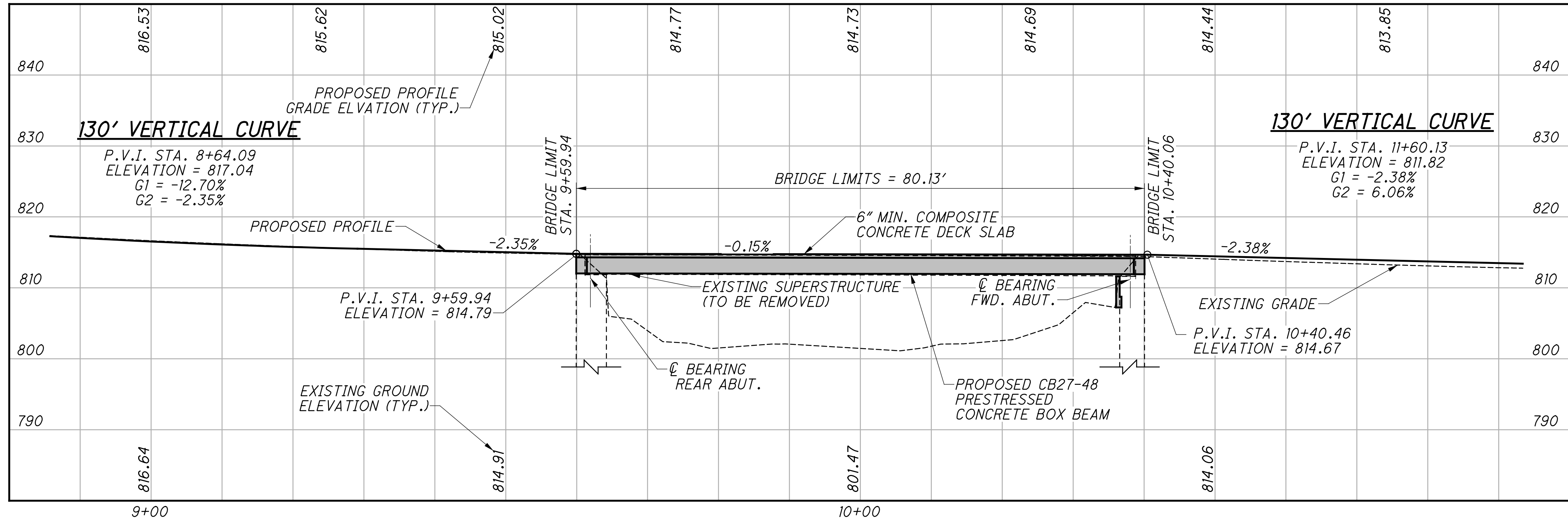
FOR ADDITIONAL BENCHMARK INFORMATION, SEE ROADWAY PLAN SHEET 28

**NOTES**  
 1. EARTHWORK LIMITS SHOWN ARE APPROXIMATE. ACTUAL SLOPES SHALL CONFORM TO PLAN CROSS SECTIONS.

DESIGN TRAFFIC:  
 2015 ADT = 250

EXISTING STRUCTURE
TYPE: SINGLE SPAN NON-COMPOSITE PRESTRESSED BOX BEAM ON STONE MASONRY SUBSTRUCTURE SPANS: 76'-7 1/2" ROADWAY: 20'-0" F/F RAILING LOADING: HS-20 SKEW: 0°00'00" WEARING SURFACE: ASPHALT APPROACH SLABS: NONE ALIGNMENT: TANGENT CROWN: 3/16" PER FOOT STRUCTURAL FILE NUMBER: 8334773 DATE BUILT: 1985 RECONSTRUCTION DISPOSITION: TO BE REHABILITATED

PROPOSED STRUCTURE
PROPOSED WORK: REPLACE SUPERSTRUCTURE AND REHABILITATE SUBSTRUCTURE TYPE: SINGLE SPAN COMPOSITE PRESTRESSED BOX BEAM WITH STONE MASONRY SUBSTRUCTURE SPANS: 76'-1 1/2" C/C BEARINGS ROADWAY: 20'-0" LOADING: HL-93 AND 60 PSF FUTURE WEARING SURFACE SKEW: 0°00'00" WEARING SURFACE: 1" MONOLITHIC CONCRETE APPROACH SLABS: NONE ALIGNMENT: TANGENT CROWN: 0.016 FT/FT STRUCTURAL FILE NUMBER: 8334774 DECK AREA: 1545 SQ. FT. COORDINATES: LATITUDE 39°18'22.94"N LONGITUDE 84°06'18.46"W



DESIGN AGENCY: JLB Inc. • 6500 Newmark Drive • Miamisburg, OH 45342 • (937) 295-5100 fax • jlbinc.com  
 DATE: 6/21  
 REVIEWED: DWS  
 DRAWN: JLM  
 DESIGNED: JLM  
 CHECKED: NRP  
 WARREN COUNTY STA. 9+59.94 STA. 10+40.06  
 SITE PLAN BRIDGE NO. WAR-TR52-0402 T.R. 52 OVER FIRST CREEK  
 WAR-TR52-4.02 PID No. 118135  
 1/12  
 17/28

**GENERAL NOTES**

**STANDARD DRAWINGS AND SUPPLEMENTAL SPECIFICATIONS**  
REFER TO THE FOLLOWING STANDARD BRIDGE DRAWINGS:

DS-1-92                    REVISD 7-18-03  
PSBD-2-07                REVISD 7-20-18  
TST-1-99                   REVISD 1-15-21

**DESIGN SPECIFICATIONS**

THIS STRUCTURE CONFORMS TO THE 9TH EDITION OF THE "LRFD BRIDGE DESIGN SPECIFICATIONS" ADOPTED BY THE AMERICAN ASSOCIATION OF STATE HIGHWAY AND TRANSPORTATION OFFICIALS, 2020 AND THE ODOT BRIDGE DESIGN MANUAL, 2020.

**OPERATIONAL IMPORTANCE**

A LOAD MODIFIER OF 1.0 HAS BEEN ASSUMED FOR THE DESIGN OF THIS STRUCTURE IN ACCORDANCE WITH THE AASHTO LRFD BRIDGE DESIGN SPECIFICATIONS, ARTICLE 1.3.5 AND THE ODOT BRIDGE DESIGN MANUAL, 2020.

**DESIGN LOADING**

HL-93 (SUPERSTRUCTURE)  
FUTURE WEARING SURFACE (FWS) OF 0.060 KIPS/FT<sup>2</sup>.

**DESIGN DATA**

CONCRETE CLASS QC2 - COMPRESSIVE STRENGTH 4.5 KSI (SUPERSTRUCTURE)  
CONCRETE CLASS QC1 - COMPRESSIVE STRENGTH 4.0 KSI (SUBSTRUCTURE)  
REINFORCING STEEL - MINIMUM YIELD STRENGTH 60 KSI

**CONCRETE FOR PRESTRESSED BEAMS**

COMPRESSIVE STRENGTH (FINAL) - 7.0 KSI  
COMPRESSIVE STRENGTH (RELEASE) - 5.0 KSI

**PRESTRESSING STRAND**

1/2" DIAMETER, AREA = 0.167 IN<sup>2</sup>  
ULTIMATE STRENGTH = 270 KSI  
INITIAL STRESS = 202.5 KSI (LOW RELAXATION STRANDS)

**DECK PROTECTION METHOD**

EPOXY COATED REINFORCING STEEL  
2 1/2" CONCRETE COVER  
STEEL DRIP STRIP  
SRS TREATMENT  
SEALING OF CONCRETE SURFACES

**MONOLITHIC WEARING SURFACE**

MONOLITHIC WEARING SURFACE IS ASSUMED, FOR DESIGN PURPOSES, TO BE 1 INCH THICK.

**EXISTING STRUCTURE VERIFICATION**

DETAILS AND DIMENSIONS SHOWN ON THESE PLANS PERTAINING TO THE EXISTING STRUCTURE HAVE BEEN OBTAINED FROM FIELD OBSERVATIONS AND MEASUREMENTS. CONSEQUENTLY, THEY ARE INDICATIVE OF THE EXISTING STRUCTURE AND THE PROPOSED WORK BUT THEY SHALL BE CONSIDERED TENTATIVE AND APPROXIMATE. THE CONTRACTOR IS REFERRED TO CMS SECTIONS 102.05 AND 105.02. BASE CONTRACT BID PRICES UPON A RECOGNITION OF THE UNCERTAINTIES DESCRIBED ABOVE AND UPON A PREBID EXAMINATION OF THE EXISTING STRUCTURE. HOWEVER, THE COUNTY WILL PAY FOR ALL PROJECT WORK BASED UPON ACTUAL DETAILS AND DIMENSIONS THAT HAVE BEEN VERIFIED IN THE FIELD.

**ITEM 202, PORTIONS OF STRUCTURE REMOVED, OVER 20 FOOT SPAN, AS PER PLAN**

THIS ITEM SHALL INCLUDE THE ELEMENTS INDICATED IN THE PLANS AND GENERAL NOTES AND THAT ARE NOT SEPARATELY LISTED FOR PAYMENT, EXCEPT FOR WEARING COURSE REMOVAL. ITEMS TO BE REMOVED INCLUDE ALL EXISTING MATERIALS BEING REPLACED BY NEW CONSTRUCTION AND MISCELLANEOUS ITEMS THAT ARE NOT SHOWN TO BE INCORPORATED INTO THE FINAL CONSTRUCTION AND ARE DIRECTED TO BE REMOVED BY THE ENGINEER. THE USE OF EXPLOSIVES, HEADACHE BALLS AND/OR HOE-RAMS WILL NOT BE PERMITTED. THE METHOD OF REMOVAL AND THE WEIGHT OF HAMMER SHALL BE APPROVED BY THE ENGINEER. PERFORM ALL WORK IN A MANNER THAT WILL NOT CUT, ELONGATE OR DAMAGE THE EXISTING REINFORCING STEEL TO BE PRESERVED. CHIPPING HAMMERS SHALL NOT BE HEAVIER THAN THE NOMINAL 90-POUND CLASS. PNEUMATIC HAMMERS SHALL NOT BE PLACED IN DIRECT CONTACT WITH REINFORCING STEEL THAT IS TO BE RETAINED IN THE REBUILT STRUCTURE.

**SUBSTRUCTURE CONCRETE REMOVAL**

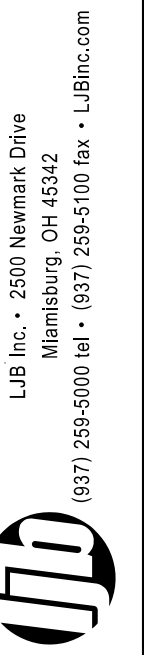
REMOVE CONCRETE BY MEANS OF APPROVED PNEUMATIC HAMMERS EMPLOYING POINTED AND BLUNT CHISEL TOOLS. HYDRAULIC HOE-RAM TYPE HAMMERS WILL NOT BE PERMITTED. THE WEIGHT OF THE HAMMER SHALL NOT BE MORE THAN 35 POUNDS FOR REMOVAL WITHIN 18 INCHES OF PORTIONS TO BE PRESERVED. OUTSIDE THE 18 INCH LIMIT, THE CONTRACTOR MAY USE HAMMERS NOT EXCEEDING 90 POUNDS UPON THE APPROVAL OF THE ENGINEER. DO NOT PLACE PNEUMATIC HAMMERS IN DIRECT CONTACT WITH REINFORCING STEEL THAT IS TO BE RETAINED IN THE REBUILT STRUCTURE.

**ABBREVIATIONS**

ABUT. = ABUTMENT  
ADT = AVERAGE DAILY TRAFFIC  
ADTT = AVERAGE DAILY TRUCK TRAFFIC  
A.S. = APPROACH SLAB  
APPR. = APPROACH  
@ = BASELINE  
BRG. = BEARING  
C/C = CENTER TO CENTER  
CLR. = CLEAR  
C.J. = CONSTRUCTION JOINT  
C.I.P. = CAST-IN-PLACE  
CL. = CENTERLINE  
CLR. = CLEAR  
CMS = CONSTRUCTION AND MATERIAL SPECIFICATIONS  
CONC. = CONCRETE  
CONSTR. = CONSTRUCTION  
DIA. = DIAMETER  
E.F. = EACH FACE  
EL. = ELEVATION  
EQ. = EQUAL  
EX. = EXISTING  
EXP. = EXPANSION  
F.A. = FORWARD ABUTMENT  
F.F. = FAR FACE  
F/F = FACE TO FACE  
FT. = FEET  
FWD. = FORWARD  
HWE = HIGH WATER ELEVATION  
IN. = INCHES  
IN-BET. = IN-BETWEEN  
INCR. = INCREMENT  
JT. = JOINT  
L.F. = LEFT FORWARD  
LT. = LEFT  
MID. = MIDDLE  
MIN. = MINIMUM

N.F. = NEAR FACE  
NB = NORTHBOUND  
NO. = NUMBER  
NPCPP = NON-PERFORATED CORRUGATED PLASTIC PIPE  
O/O = OUT TO OUT  
OHWM = ORDINARY HIGH WATER MARK  
PCB = PORTABLE CONCRETE BARRIER  
PCPP = PERFORATED CORRUGATED PLASTIC PIPE  
PEJF = PREFORMED EXPANSION JOINT FILLER  
PL. = PLATE  
PRESS. = PRESSURE  
PROP. = PROPOSED  
PVI = POINT OF VERTICAL INTERSECTION  
R.A. = REAR ABUTMENT  
RAD. = RADIUS  
RD. = ROAD  
REF. = REFERENCE  
REQ'D = REQUIRED  
RT. = RIGHT  
SB = SOUTHBOUND  
SER. = SERIES  
SHLDR. = SHOULDER  
SPA. = SPACES  
SQ. = SQUARE  
STA. = STATION  
STR = STRAIGHT  
SUPER. = SUPERSTRUCTURE  
TEMP. = TEMPORARY  
T&B = TOP AND BOTTOM  
T/T = TOE TO TOE  
TYP. = TYPICAL  
U.N.O. = UNLESS NOTED OTHERWISE  
VAR. = VARIES  
VERT. = VERTICAL  
W/ = WITH  
W.W. = WINGWALL

O:\Warren Cnty Eng\018135A.00 - BR\_TR0052-0402\_Roach-Coz\18135\_Design\Structures\WAR052\_0402L\_Sheets\18135SN001.dgn\_Sheet 3/30/2023 4:05:42 PM jmelman




DESIGNED	JLM	CHECKED	NRP
DRAWN	NRP	REVISED	
REVIEWED	DWS	DATE	6/21
STRUCTURE FILE NUMBER	8334774		

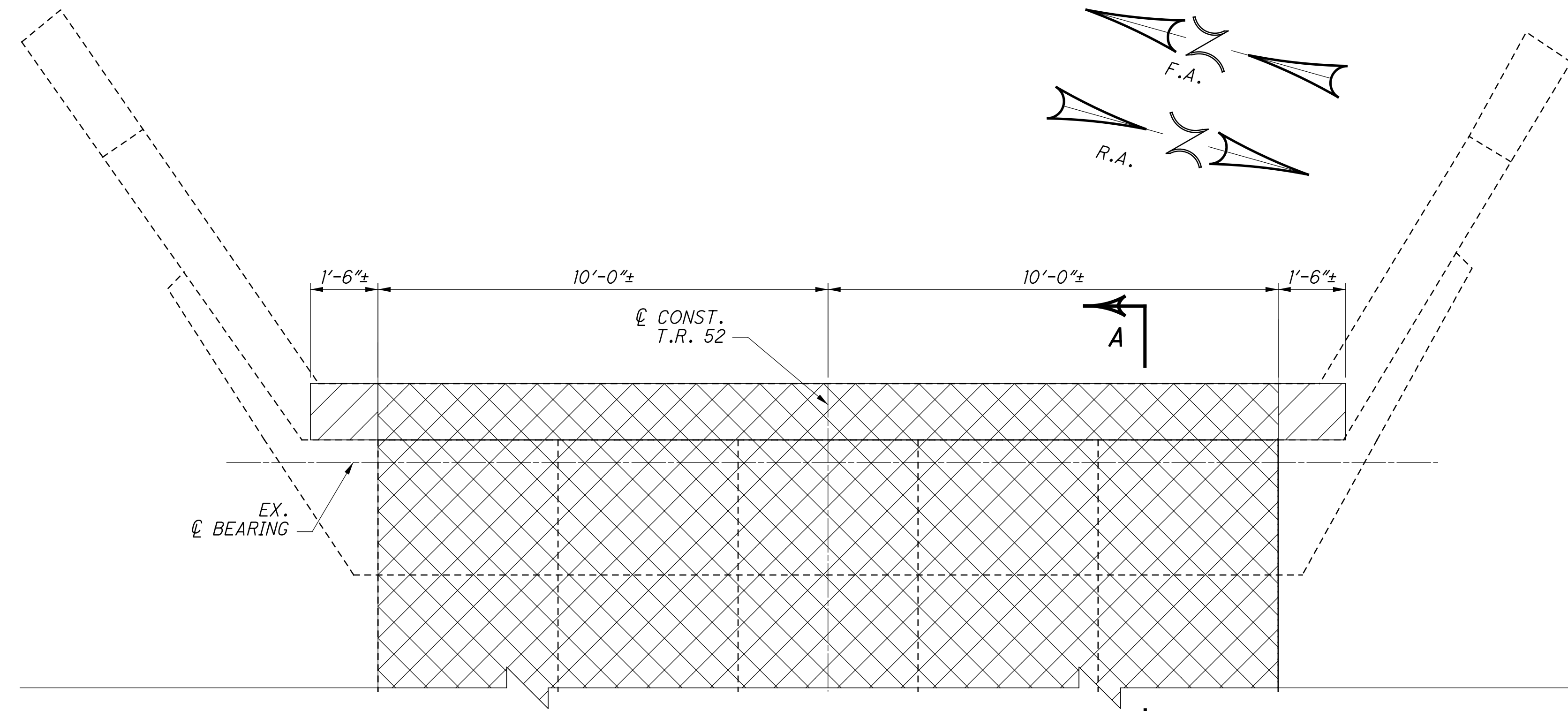
**GENERAL NOTES**  
BRIDGE NO. WAR-TR52-0402  
OVER FIRST CREEK

**WAR-TR52-4.02**  
PID No. 118135  
2 / 12  
18  
28

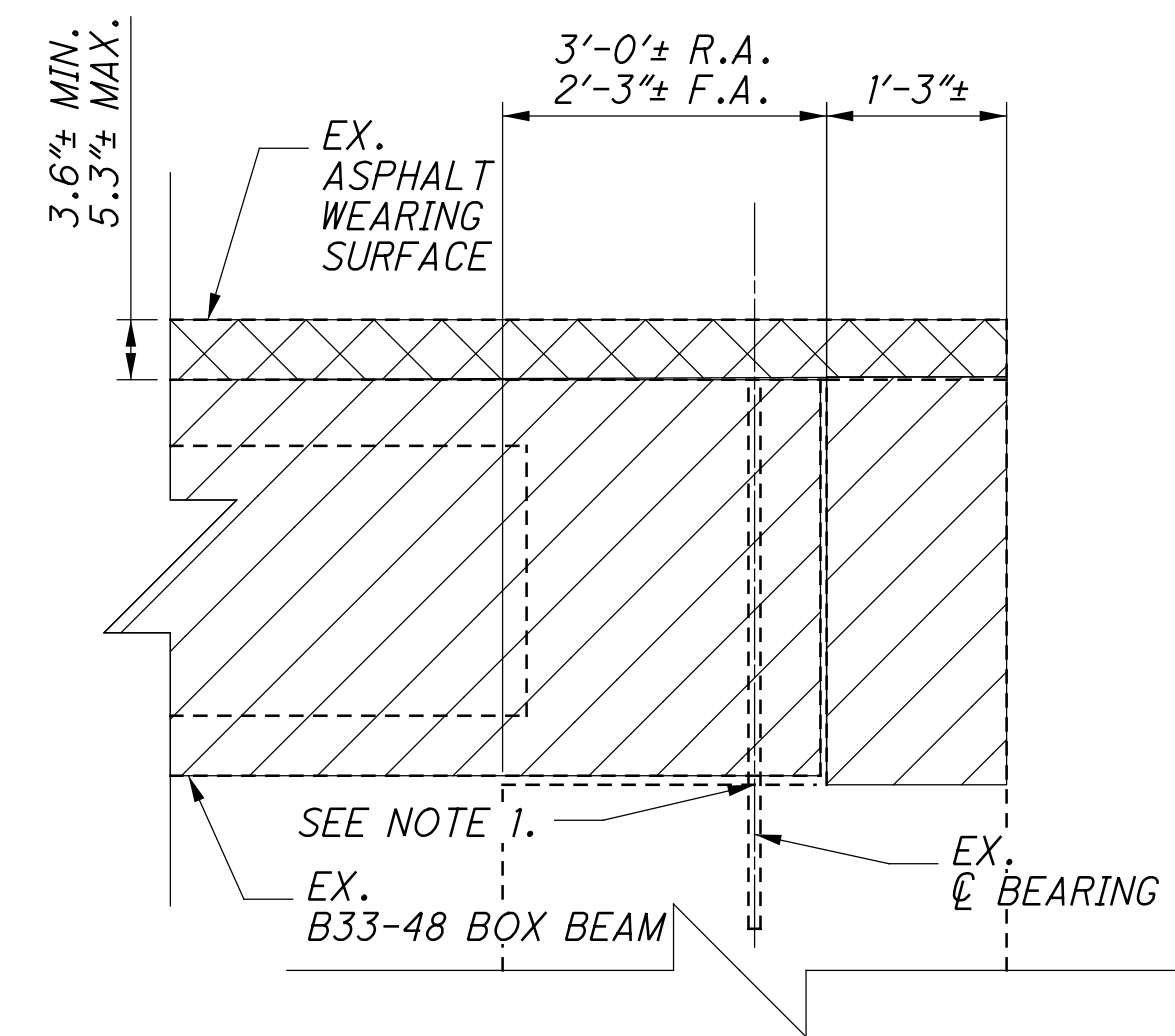
ESTIMATED QUANTITIES								
ITEM	ITEM EXTENSION	TOTAL	UNIT	DESCRIPTION	ABUTMENTS	SUPERSTRUCTURE	GENERAL	AS PER PLAN SHEET NUMBER
202	11203	LUMP		PORTIONS OF STRUCTURE REMOVED, OVER 20 FOOT SPAN, AS PER PLAN			LUMP	2/12
202	23500	179	SQ YD	WEARING COURSE REMOVED		179		
304	20000	22	CU YD	AGGREGATE BASE (GRANULAR BACKFILL)			22	
503	21300	LUMP		UNCLASSIFIED EXCAVATION			LUMP	
509	10000	6,393	POUND	EPOXY COATED REINFORCING STEEL	959	5,434		
510	10000	181	EACH	DOWEL HOLES WITH NONSHRINK, NON METALLIC GROUT	181			
511	31610	47	CU YD	CLASS QC2 CONCRETE, SUPERSTRUCTURE		47		
511	45710	6	CU YD	CLASS QC1 CONCRETE, ABUTMENT	6			
512	10100	129	SQ YD	SEALING OF CONCRETE SURFACES (EPOXY-URETHANE)	62	67		
512	10400	178	SQ YD	TREATING OF CONCRETE BRIDGE DECK WITH SRS		178		
515	12070	5	EACH	PRESTRESSED CONCRETE COMPOSITE BOX BEAM BRIDGE MEMBERS, LEVEL 1, CB27-48 (77'-1 1/2" LONG)		5		
516	10000	40	FT	PREFORMED ELASTOMERIC COMPRESSION JOINT SEAL	40			
516	14020	59	FT	SEMI-INTEGRAL ABUTMENT EXPANSION JOINT SEAL	59			
516	43200	10	EACH	ELASTOMERIC BEARING WITH INTERNAL LAMINATES ONLY (NEOPRENE) (11"x 11" x 2.3857")		10		
516	43300	10	EACH	ELASTOMERIC BEARING WITH INTERNAL LAMINATES ONLY (NEOPRENE) (11"x 11" x 3.5473")		10		
517	70001	168	FT	RAILING (TWIN STEEL TUBE), AS PER PLAN		168		11/12
SPECIAL	518E22300	190	FT	SPECIAL - STEEL DRIP STRIP		190		8/12

QUANTITIES COMPUTED BY: JLM 3/21  
 QUANTITIES CHECKED BY: NRP 3/21

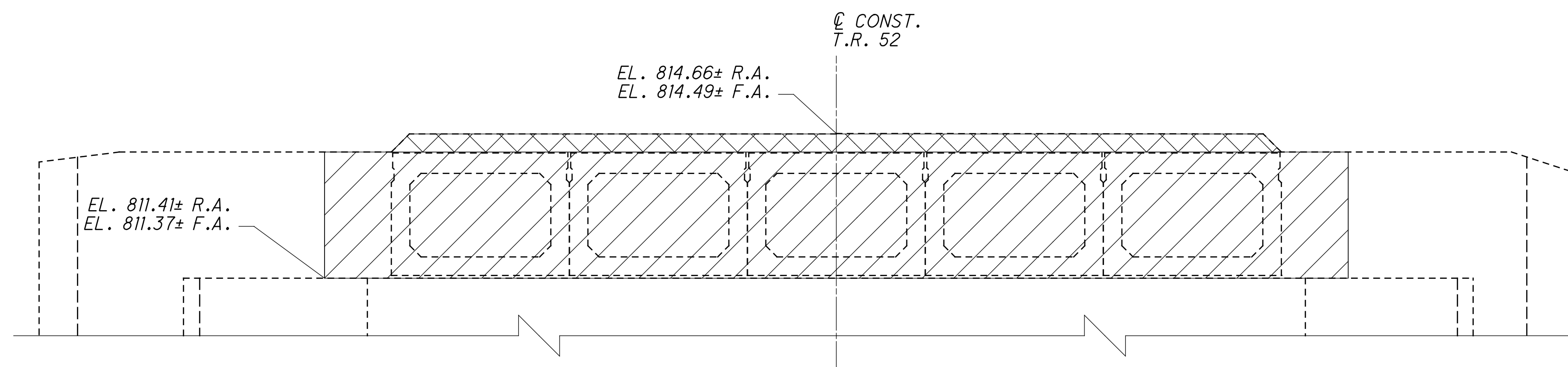
<b>WAR - TR52 - 4.02</b> PID No. 118135	ESTIMATED QUANTITIES BRIDGE NO. WAR-TR52-0402 OVER FIRST CREEK	DESIGNED JLM	DRAWN NRP	REVIEWED DWS	DATE 6/21	 DESIGN AGENCY LIB Inc. • 6500 Newmark Drive Marietta, OH 45754 (607) 295-5000 fax • (607) 295-5100 fax • LIBinc.com
		CHECKED NRP	REVISED	STRUCTURE FILE NUMBER 8334774		



**REMOVAL PLAN**  
(REAR SHOWN,  
FORWARD OPPOSITE HAND)



**REMOVAL SECTION A-A**



**REMOVAL ELEVATION**  
(REAR SHOWN,  
FORWARD OPPOSITE HAND)

**LEGEND**

- ITEM 202 - PORTIONS OF STRUCTURE REMOVED, OVER 20 FOOT SPAN, AS PER PLAN
- ITEM 202 - WEARING COURSE REMOVED

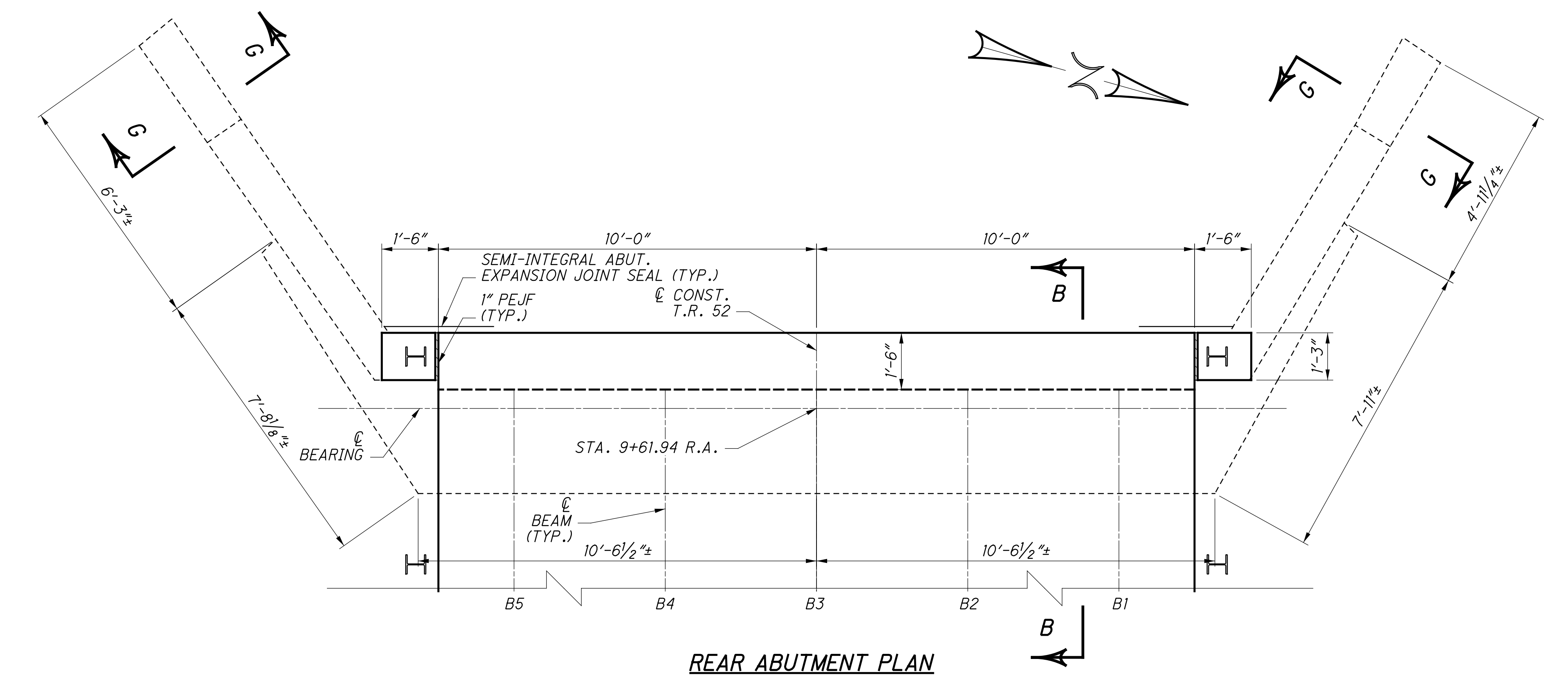
**NOTES:**

1. CUT OFF EXISTING BOX BEAM ANCHOR DOWELS WITH THE EXISTING BEAM SEAT. REMOVE EXISTING ANCHOR DOWELS FROM BEAM SEAT WHERE IN CONFLICT WITH PROPOSED DOWELS BY CONCRETE CORING AND FILL CORED HOLES WITH NONSHRINK, NONMETALLIC GROUT. INCLUDE WORK WITH ITEM 202 PORTIONS OF STRUCTURE REMOVED, OVER 20 FOOT SPAN.

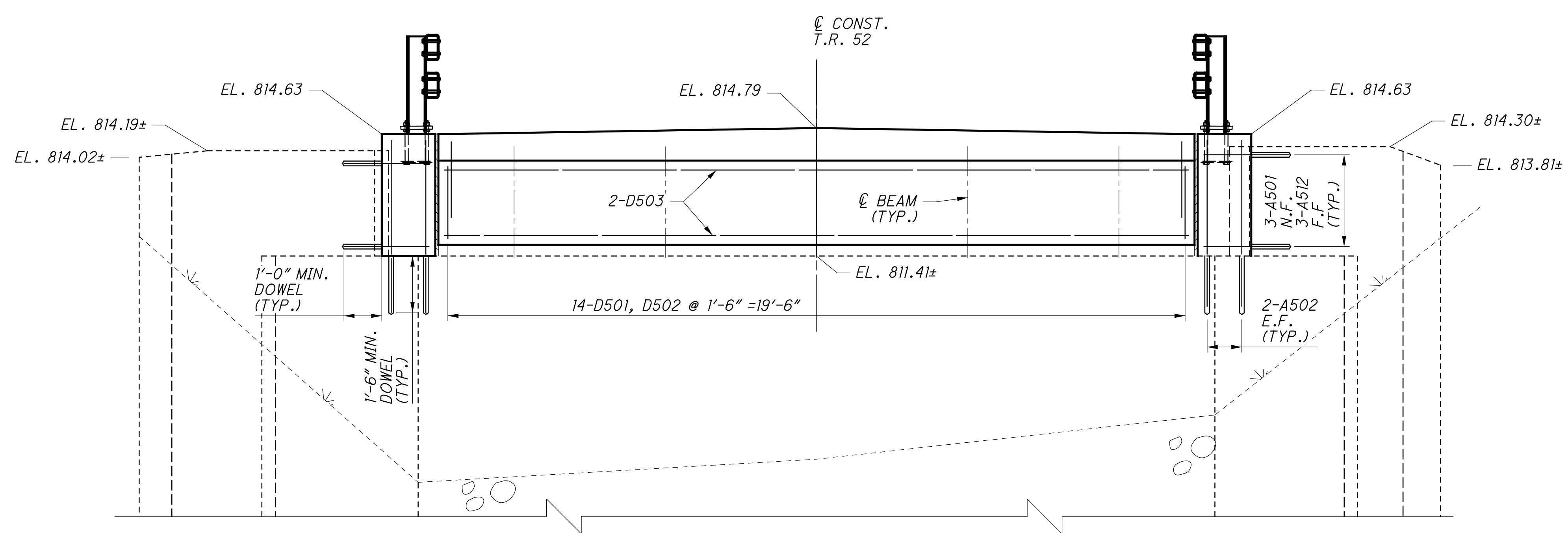
	DESIGN AGENCY JLB Inc. • 6500 Newmark Drive Mansfield, OH 44842 (937) 299-5000 fax • (937) 299-5100 fax • Liblic.com	DATE 6/21	REVIEWED DWS	STRUCTURE FILE NUMBER 8334774	
DESIGNED JLM	DRAWN JLM	CHECKED NRP	REVISED	FILE NUMBER 8334774	
REMOVAL DETAILS					
BRIDGE NO. WAR-TR52-0402 T.R. 52 OVER FIRST CREEK					
WAR-TR52-4-02					
PID NO. 118135					
4 / 12					
20 28					



O:\Warren\_Cnty\_Eng\018135A.00 - BR\_TR0052-0402\_Roach-Coz\18135.Design\Structures\WAR052\_0402L\Sheets\18135SR001.dgn Sheet 3/30/2023 4:05:45 PM j\_mellman



**REAR ABUTMENT PLAN**

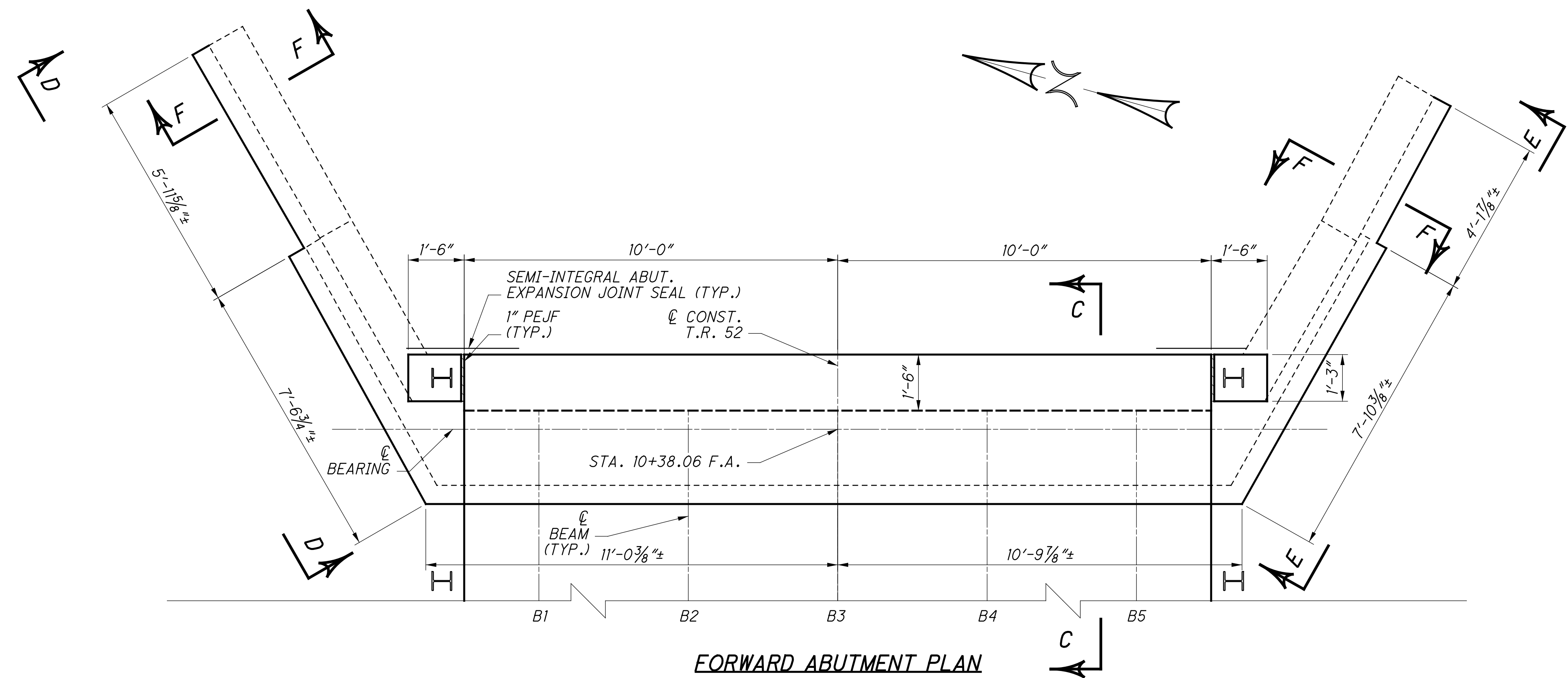


**REAR ABUTMENT ELEVATION**

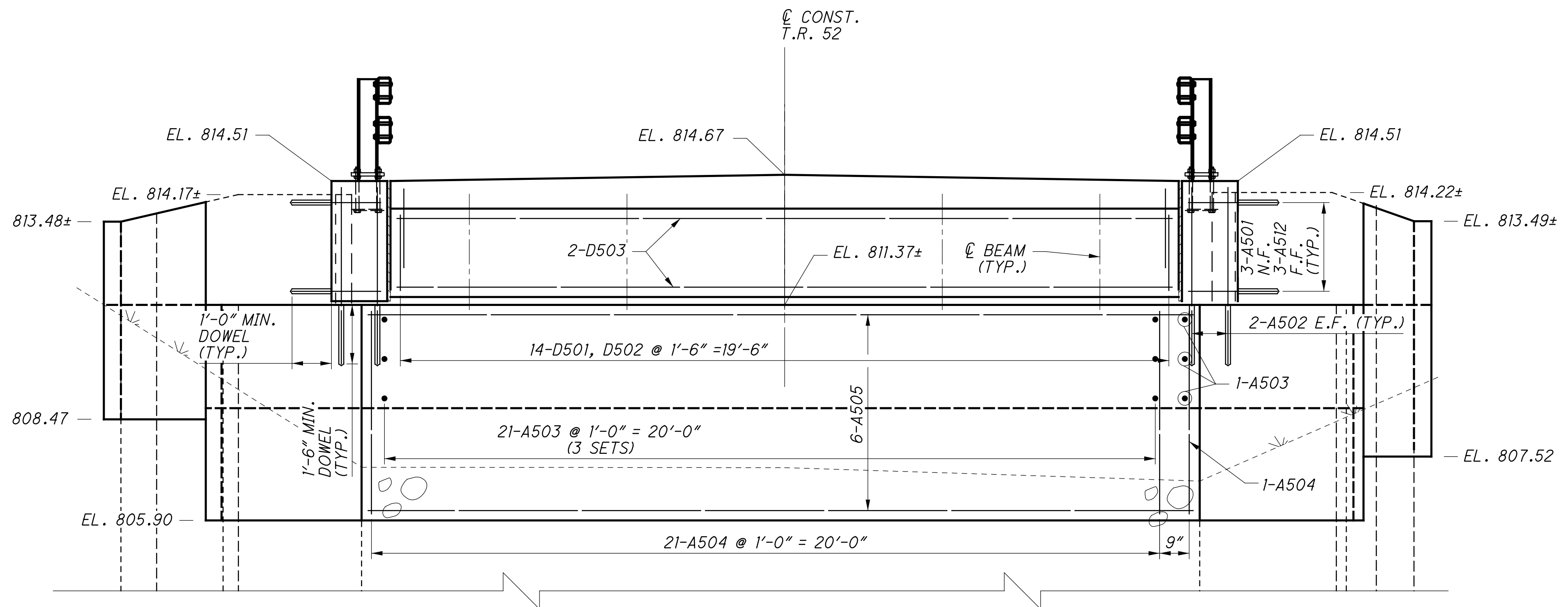
- NOTES:**
1. ABUTMENT CONCRETE: DO NOT PLACE THE ABUTMENT CONCRETE ABOVE THE BRIDGE SEAT CONSTRUCTION JOINT UNTIL THE PRESTRESSED CONCRETE BOX BEAMS HAVE BEEN ERECTED.
  2. FOR SECTION B-B AND G-G, SEE SHEET 7 / 12.
  3. FOR REINFORCING LIST, SEE SHEET 12 / 12.

<b>WAR-TR52-4-02</b> PID NO. 118135	<b>ABUTMENT DETAILS</b> BRIDGE NO. WAR-TR52-0402 T.R. 52 OVER FIRST CREEK	DESIGNED JLM CHECKED NRP	DRAWN JLM REVISED	REVIEWED DWS	DATE 6/21
			STRUCTURE FILE NUMBER 8334774		DESIGN AGENCY <b>JLB</b> JLB Inc. • 2500 Newmark Drive Miamisburg, OH 45342 (937) 295-5000 fax • (937) 295-5100 fax • JLBinc.com

O:\Warren Cnty Eng\018135A.00 - BR\_TR0052-0402\_Roach-Coz\18135\Design\Structures\WAR052\_0402L\Sheets\18135SF001.dgn Sheet 3/30/2023 4:05:46 PM jmelman



**FORWARD ABUTMENT PLAN**

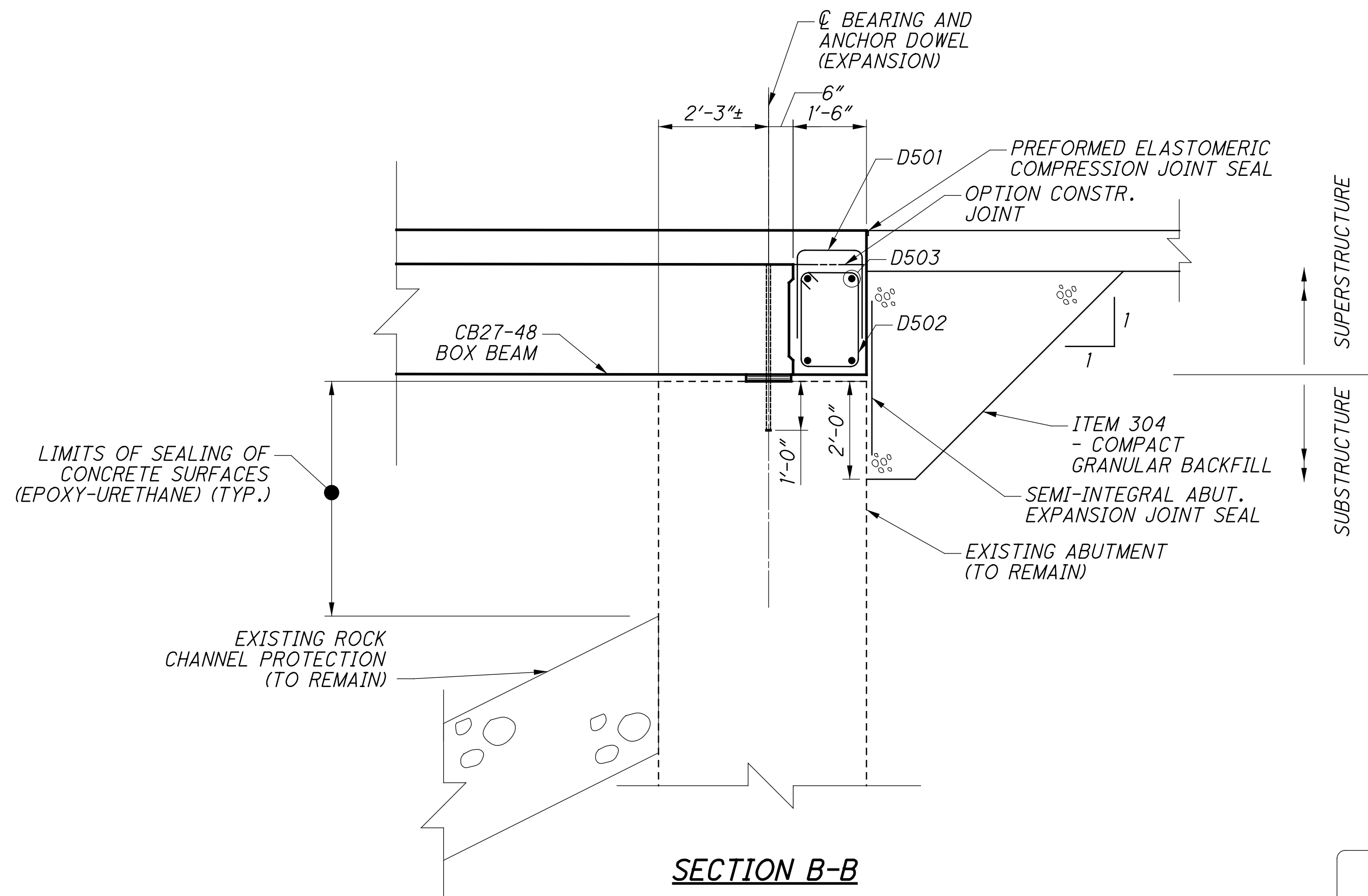


**FORWARD ABUTMENT ELEVATION**

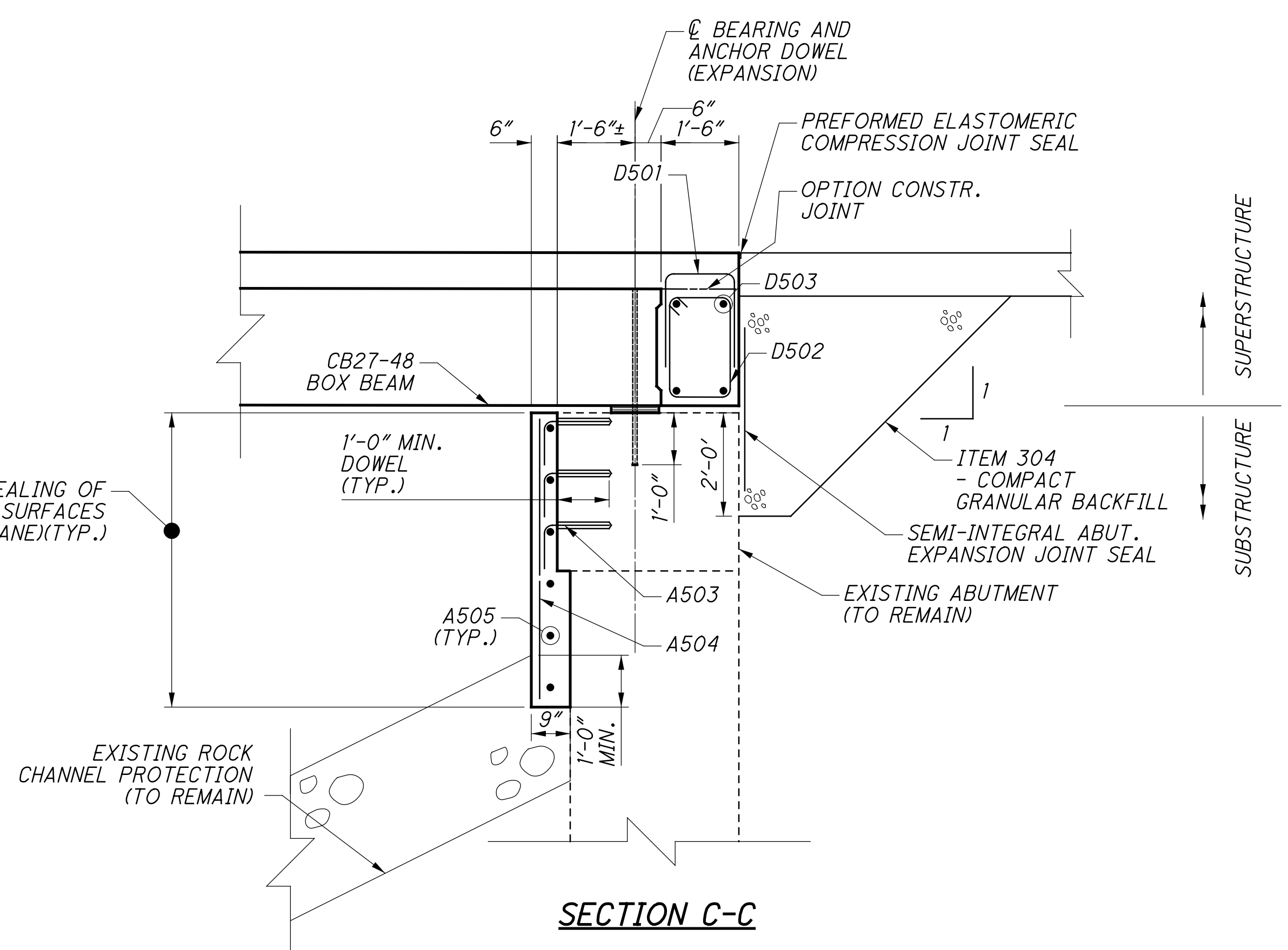
- NOTES:**
1. ABUTMENT CONCRETE: DO NOT PLACE THE ABUTMENT CONCRETE ABOVE THE BRIDGE SEAT CONSTRUCTION JOINT UNTIL THE PRESTRESSED CONCRETE BOX BEAMS HAVE BEEN ERECTED.
  2. FOR SECTIONS C-C AND F-F SEE SHEET 7 / 12.
  2. FOR VIEWS D-D, E-E, AND F-F SEE SHEET 7 / 12.
  3. FOR REINFORCING LIST, SEE SHEET 12 / 12.
  4. COSTS TO REMOVE AND REPLACE EXISTING GROUND AND ROCK CHANNEL PROTECTION FOR CONCRETE WORK SHALL BE INCLUDED WITH ITEM 503 UNCLASSIFIED EXCAVATION.

<p><b>ABUTMENT DETAILS</b> BRIDGE NO. WAR-TR52-0402 T.R. 52 OVER FIRST CREEK</p>	<p><b>WAR-TR52-4-02</b> PID NO. 118135</p>	<p>DESIGNED: JLM CHECKED: NRP</p> <p>DRAWN: JLM REVISED:</p> <p>REVIEWED: DWS DATE: 6/21</p> <p>STRUCTURE FILE NUMBER: 8334774</p>
<p>DESIGN AGENCY: LJB Inc. • 6500 Newmark Drive Miamisburg, OH 45342 (937) 295-5000 fax: (937) 295-5100 fax • LJBinc.com</p>		<p>6 / 12</p> <p style="font-size: 24px; border: 1px solid black; border-radius: 50%; width: 30px; height: 30px; margin: 0 auto; display: flex; align-items: center; justify-content: center;">22</p> <p style="font-size: 24px; border: 1px solid black; border-radius: 50%; width: 30px; height: 30px; margin: 0 auto; display: flex; align-items: center; justify-content: center;">28</p>

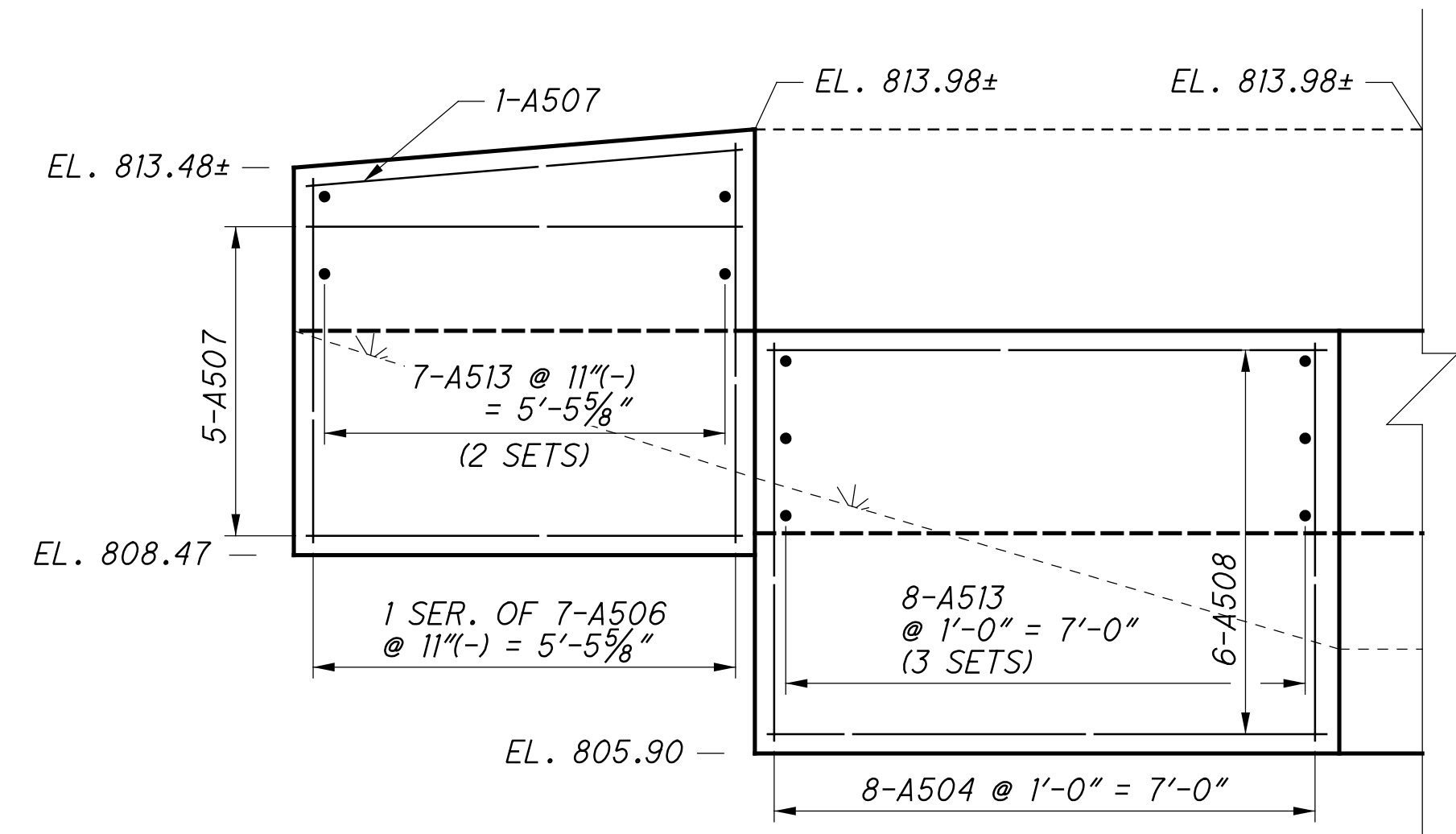
O:\Warren Cnty\_Eng\018135A.00 - BR\_TR0052-0402\_Roach-Coz\18135\Design\Structures\WAR052-0402\Sheets\18135SR002.dgn Sheet 3/30/2023 4:05:47 PM jmeliman



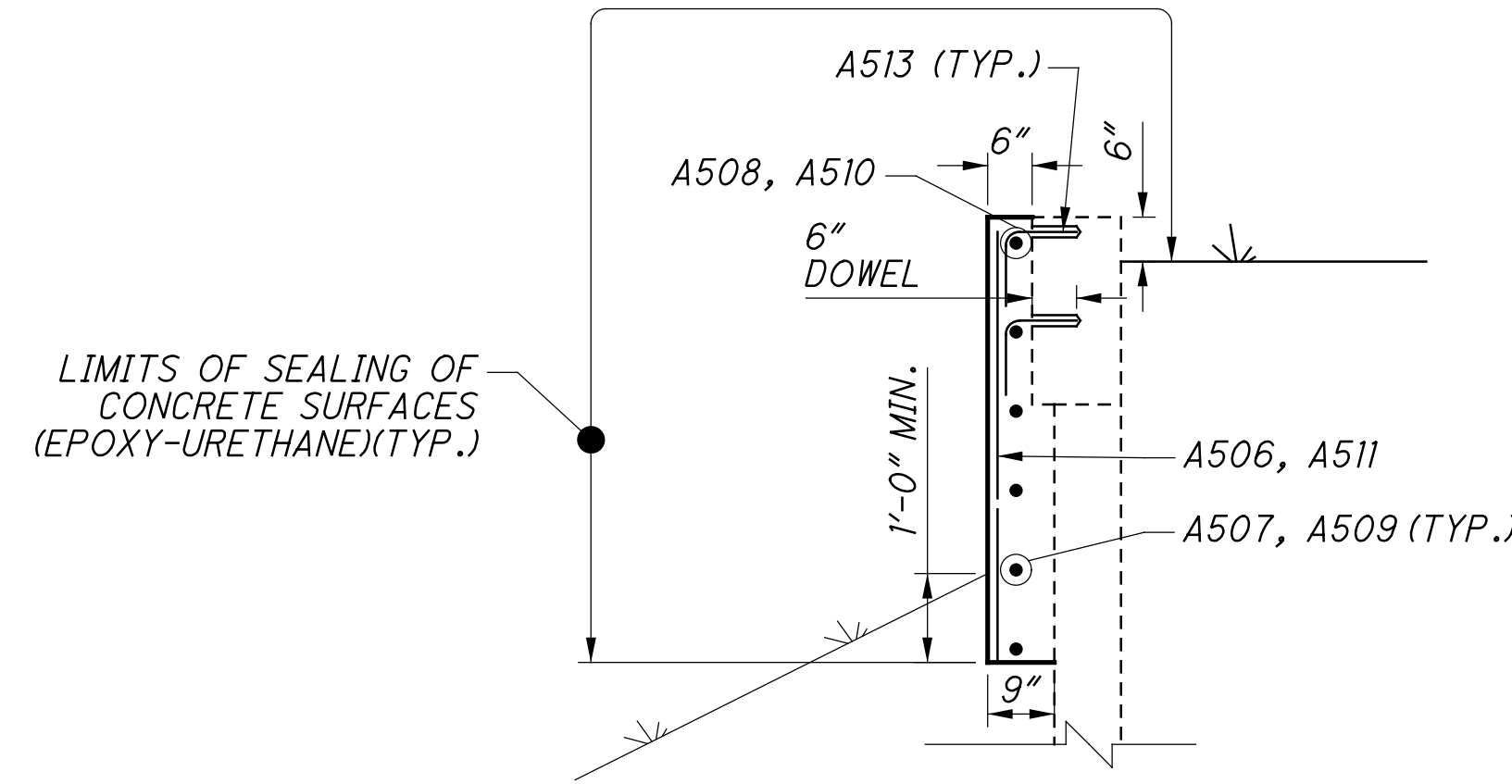
**SECTION B-B**



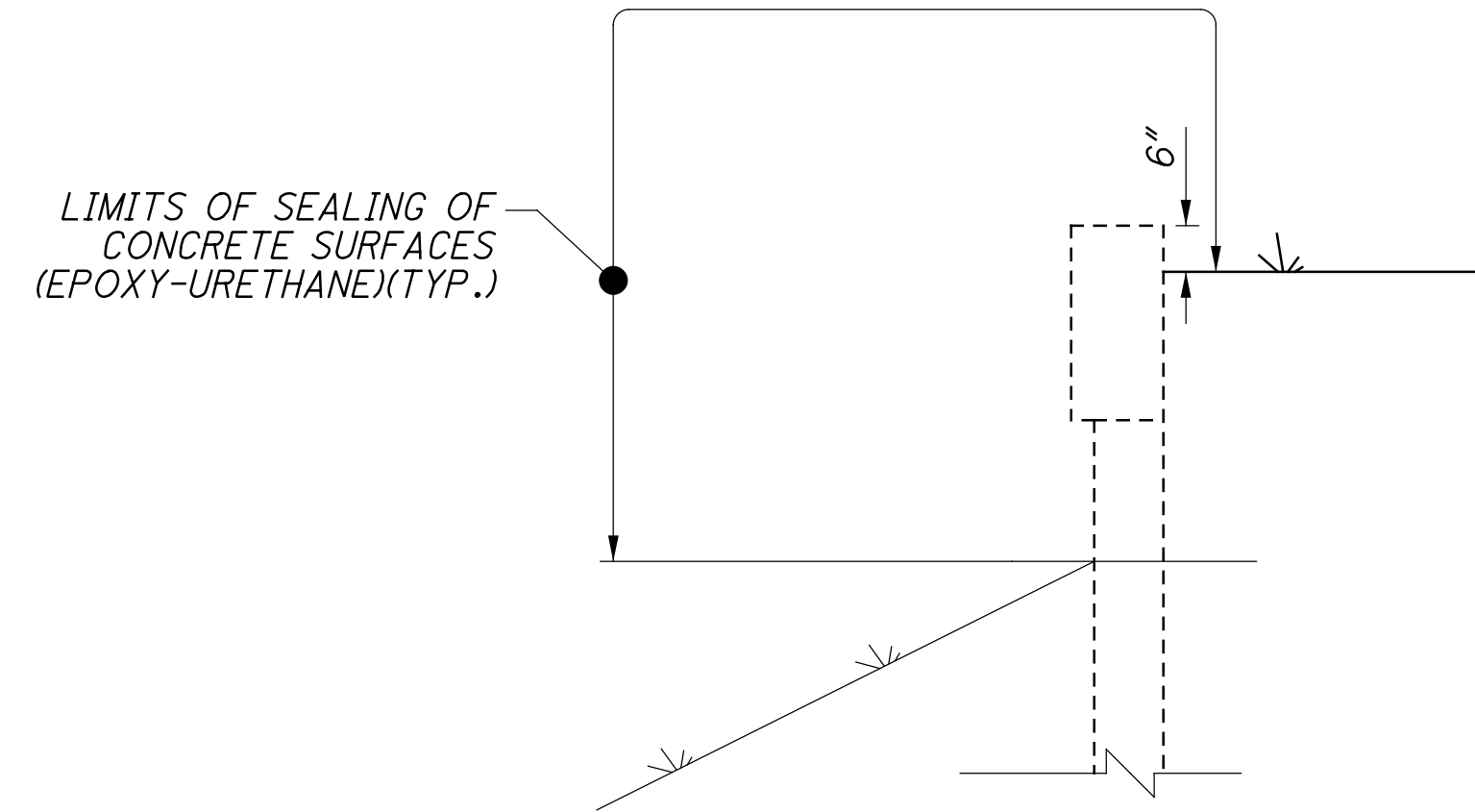
**SECTION C-C**



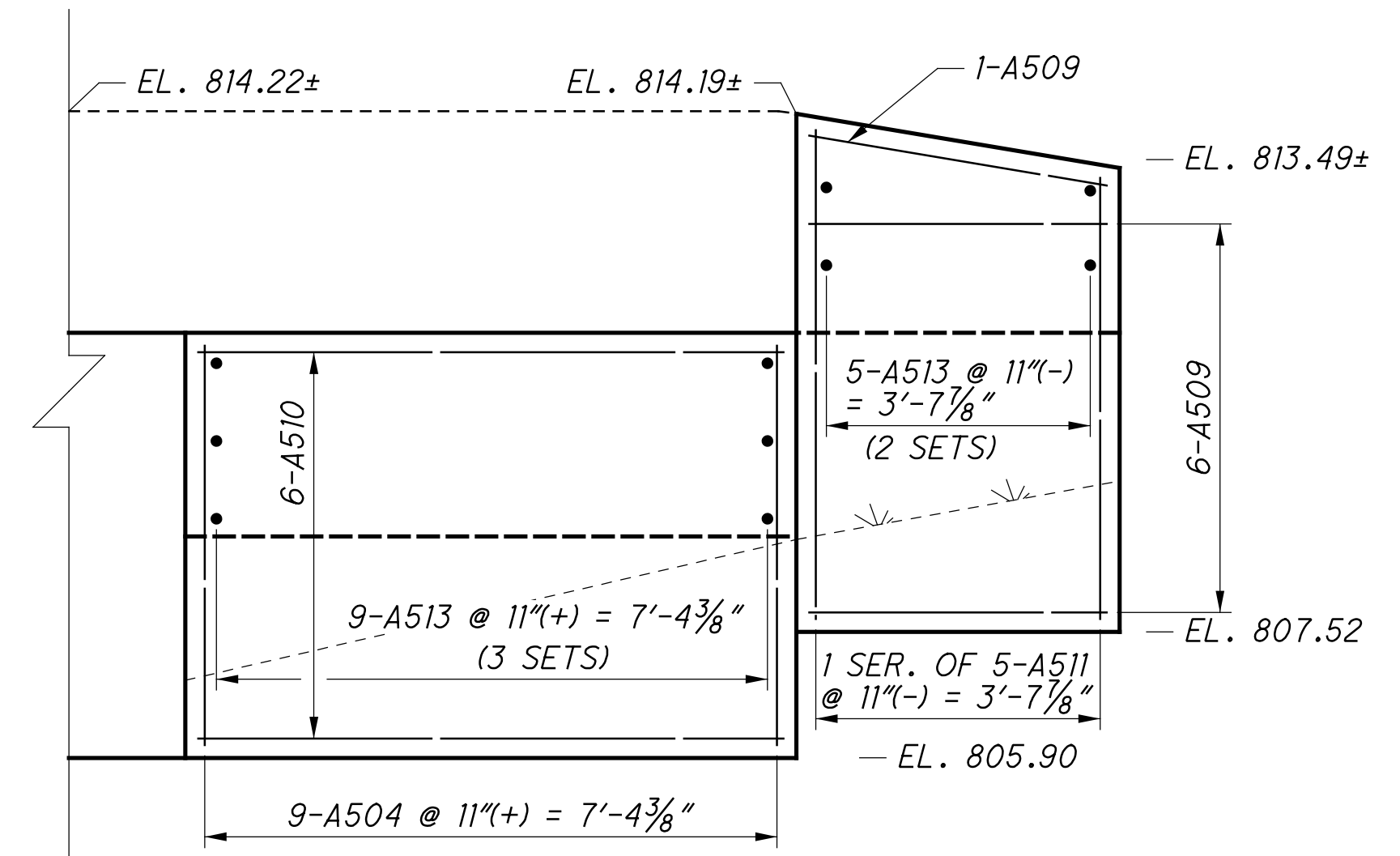
**VIEW D-D**



**SECTION F-F**




**SECTION G-G**

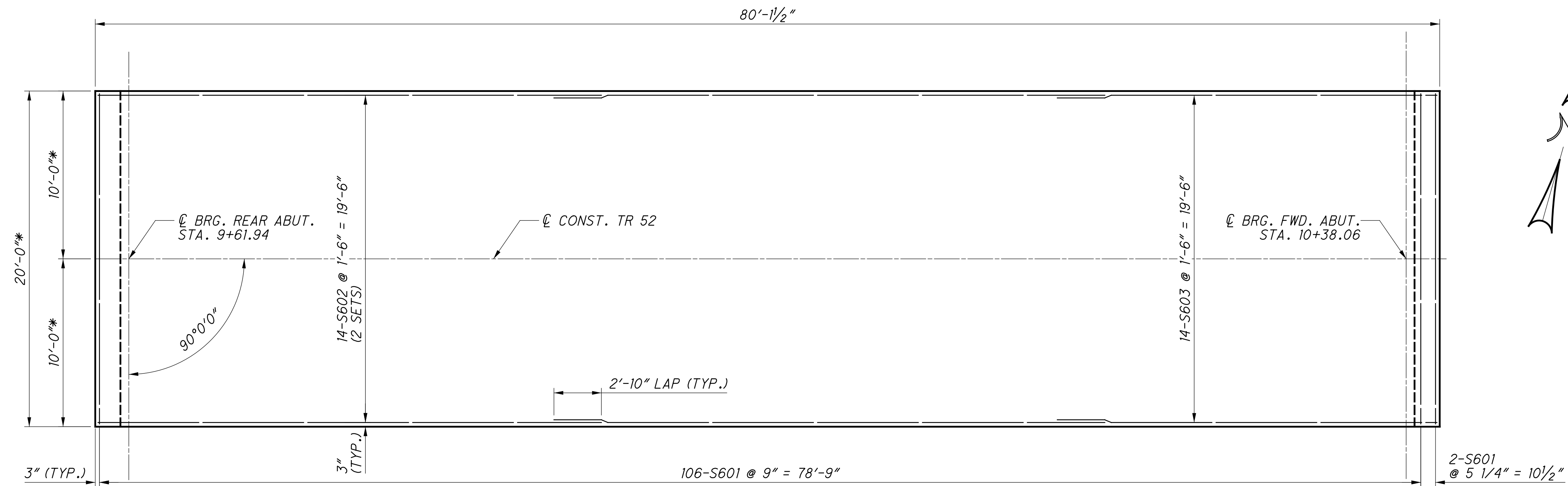


**VIEW E-E**

- NOTES:**
- FOR BEAM END REINFORCING, SEE SHEET 10 / 12.
  - FOR DECK SLAB REINFORCING, SEE SHEET 8 / 12.
  - FOR REINFORCING STEEL LIST, SEE SHEET 12 / 12.

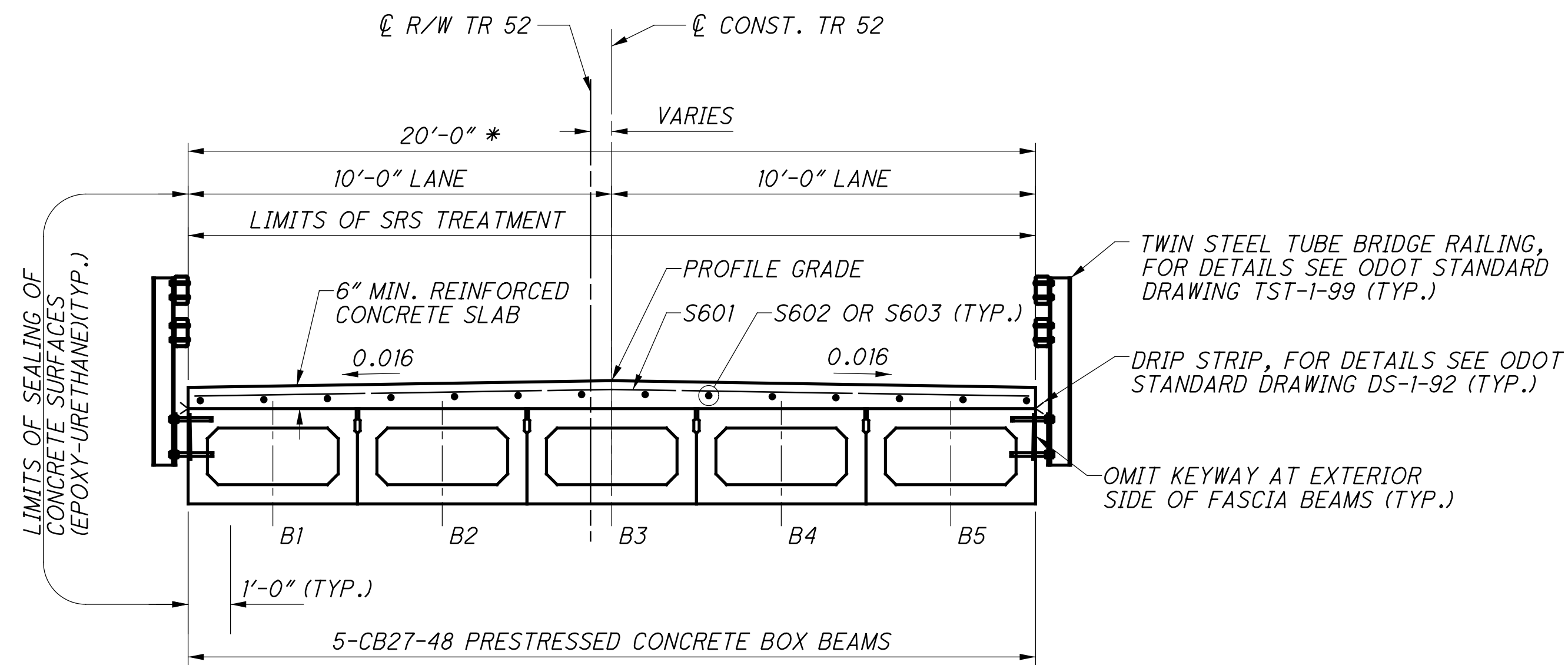
	DESIGN AGENCY LIB Inc. • 2500 Newmark Drive Marietta, OH 45752 (607) 295-5000 fax • (607) 295-5100 fax • LibInc.com	DATE 6/21	STRUCTURE FILE NUMBER 8334774	DESIGNER JLM	CHECKED NRP
DRAWN JLM	REVISIONS DWS	REVIEWED DWS	DATE 6/21	FILE NUMBER 8334774	STRUCTURE 8334774
<b>ABUTMENT DETAILS</b> BRIDGE NO. WAR-TR52-0402 T.R. 52 OVER FIRST CREEK					
<b>WAR-TR52-4-02</b> PID NO. 118135					
7 / 12					
23 28					

O:\Warren Cnty\_Eng\018135A.00 - BR\_TR0052-0402\_Roach-Coz\18135\Design\Structures\WAR052\_0402L\Sheets\18135SD001.dgn Sheet 3/30/2023 4:05:48 PM j\_mellman



**DECK SLAB PLAN**

\* - PLUS FIT-UP



**BRIDGE TYPICAL SECTION**

\* - PLUS FIT-UP

**NOTES:**

1. DECK SLAB THICKNESS FOR CONCRETE QUANTITY: THE ESTIMATED QUANTITY OF DECK CONCRETE IS MEASURED ACCORDING TO C&MS 511. IN ADDITION TO THE DESIGN SLAB THICKNESS, THE QUANTITY INCLUDES A VARIABLE HAUNCH THICKNESS THAT PROVIDES AN ALLOWANCE FOR VERTICAL GRADE ADJUSTMENT AND BEAM CAMBER.
2. FOR REINFORCING STEEL LIST, SEE SHEET 12 / 12.

<b>WAR-TR52-4.02</b>	<b>PID No. 118135</b>	<b>DECK SLAB PLAN AND TYPICAL SECTION</b>	BRIDGE NO. WAR-TR52-0402 T.R. 52 OVER FIRST CREEK	DESIGNED JLM	CHECKED NRP	DRAWN JLM	REVISED	REVIEWED DWS	DATE 6/21	STRUCTURE FILE NUMBER 8334774	DESIGN AGENCY LJB Inc. • 6500 Newmark Drive Miamisburg, OH 45342 (937) 295-5000 fax • (937) 295-5100 fax • LJBinc.com
8 / 12	24 28										

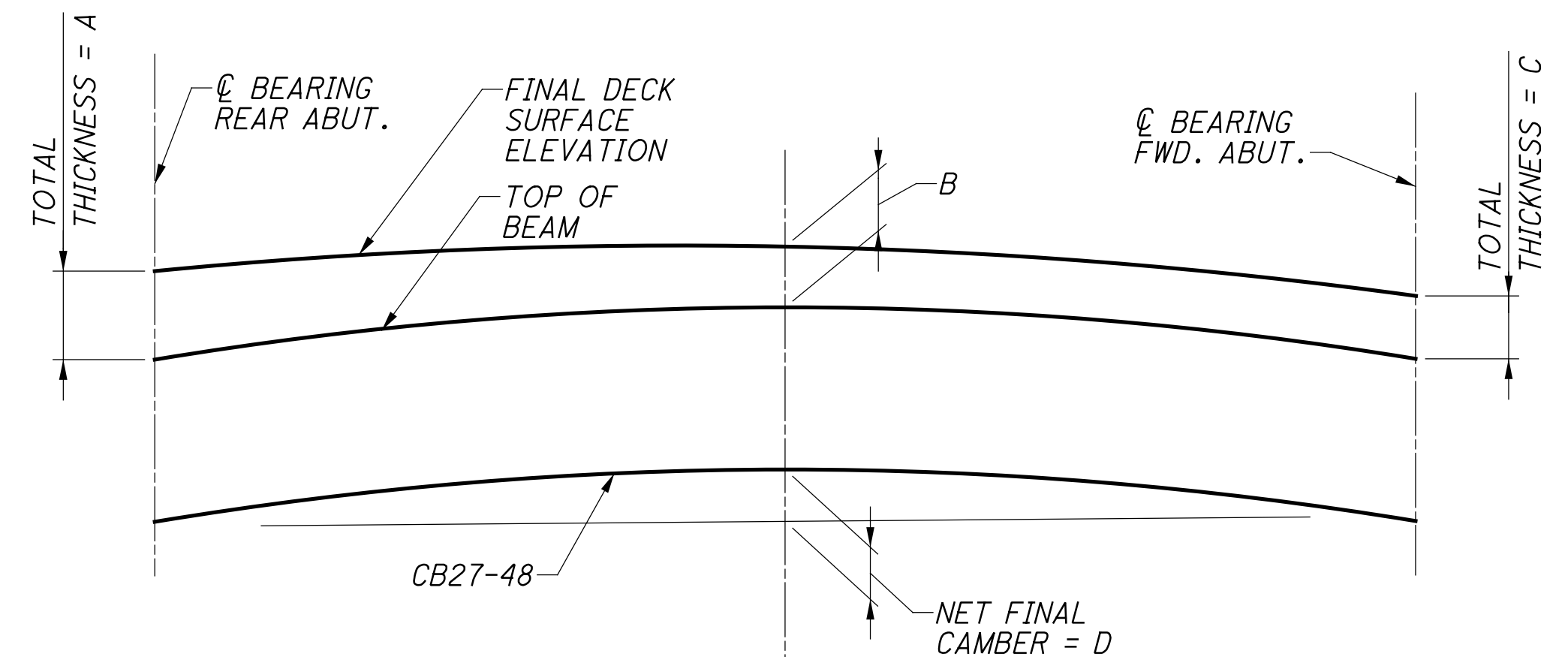
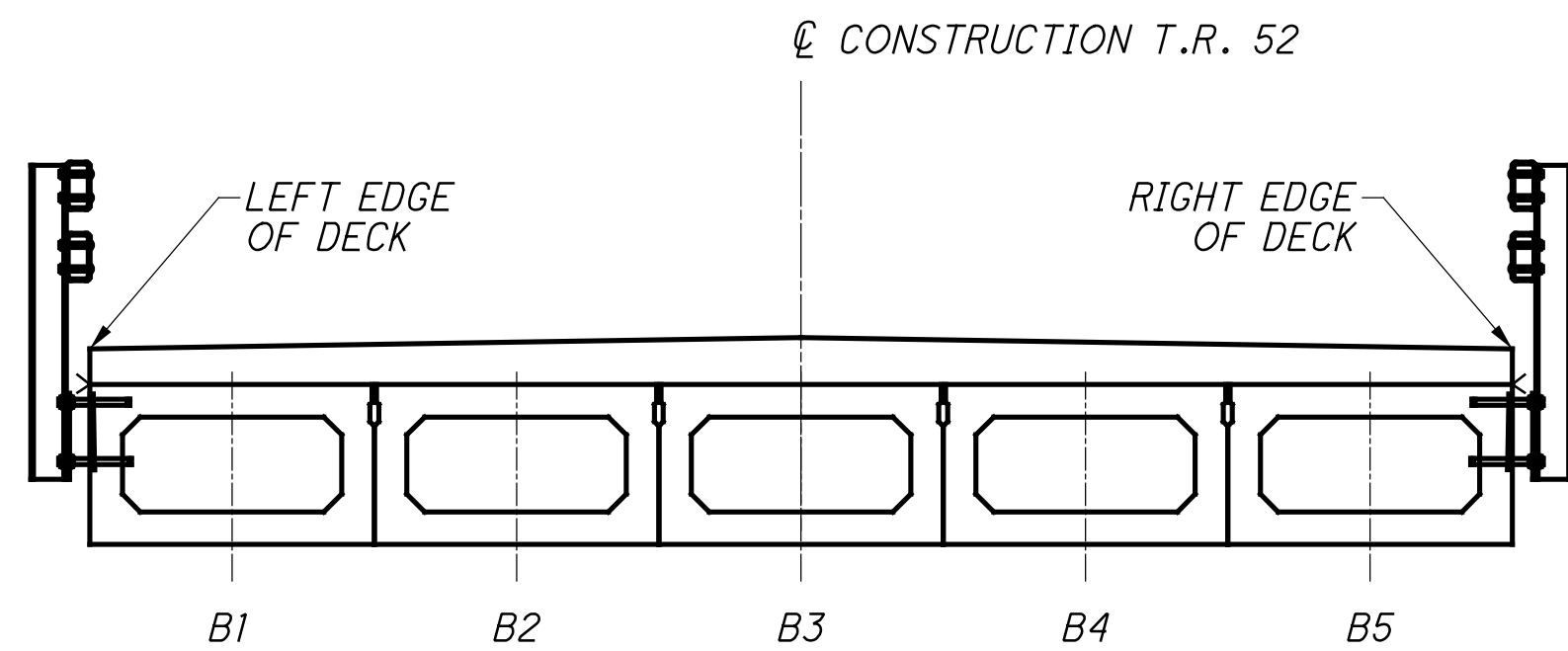
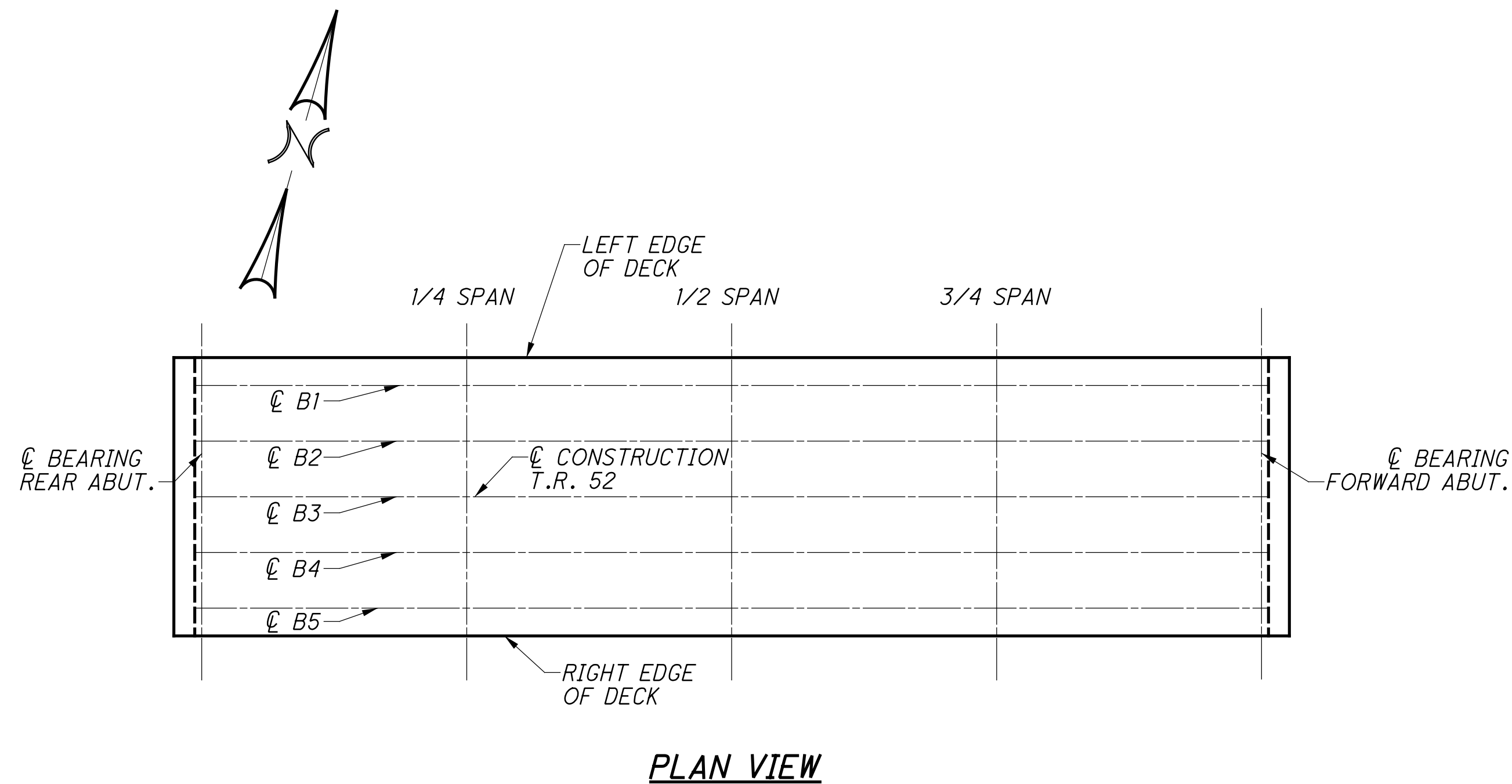
O:\Warren Cnty Eng\018135A.00 - BR\_TR0052-0402\_Roach-Coz\18135\Design\Structures\WAR052-0402L\_Sheets\18135SS001.dgn Sheet 3/30/2023 4:05:49 PM jmelman

FINAL DECK SURFACE STATIONS AND ELEVATIONS							
LOCATION	LEFT EDGE OF DECK	☉ BEAM 1	☉ BEAM 2	☉ BRIDGE AND BEAM 3	BEAM 4	☉ BEAM 5	RIGHT EDGE OF DECK
☉ BRG. REAR ABUT.	9+61.94	9+61.94	9+61.94	9+61.94	9+61.94	9+61.94	9+61.94
	814.63	814.66	814.72	814.79	814.72	814.66	814.63
1/4	9+80.97	9+80.97	9+80.97	9+80.97	9+80.97	9+80.97	9+80.97
	814.60	814.63	814.69	814.76	814.69	814.63	814.60
1/2	10+00.00	10+00.00	10+00.00	10+00.00	10+00.00	10+00.00	10+00.00
	814.57	814.60	814.67	814.73	814.67	814.60	814.57
3/4	10+19.03	10+19.03	10+19.03	10+19.03	10+19.03	10+19.03	10+19.03
	814.54	814.57	814.64	814.70	814.64	814.57	814.54
☉ BRG. FWD. ABUT.	10+38.06	10+38.06	10+38.06	10+38.06	10+38.06	10+38.06	10+38.06
	814.51	814.61	814.67	814.61	814.54	814.51	814.51

NOTE: FINAL DECK SURFACE ELEVATIONS SHOWN REPRESENT THE DECK SURFACE LOCATION AFTER ALL ANTICIPATED DEAD LOAD DEFLECTIONS HAVE OCCURRED.

SCREED STATIONS AND ELEVATIONS			
LOCATION	LEFT FASCIA	PROFILE GRADE	RIGHT FASCIA
☉ BRG. REAR ABUT.	9+61.94	9+61.94	9+61.94
	814.63	814.79	814.63
1/4	9+80.97	9+80.97	9+80.97
	814.65	814.82	814.65
1/2	10+00.00	10+00.00	10+00.00
	814.65	814.82	814.65
3/4	10+19.03	10+19.03	10+19.03
	814.59	814.76	814.59
☉ BRG. FWD. ABUT.	10+38.06	10+38.06	10+38.06
	814.51	814.67	814.51

NOTE: SCREED ELEVATIONS SHOWN REPRESENT THE THEORETICAL DECK SURFACE LOCATION PRIOR TO DEFLECTIONS CAUSED BY DECK PLACEMENT AND OTHER ANTICIPATED DEAD LOADS.



(ANTICIPATED DECK THICKNESS)  
(NOT TO SCALE)

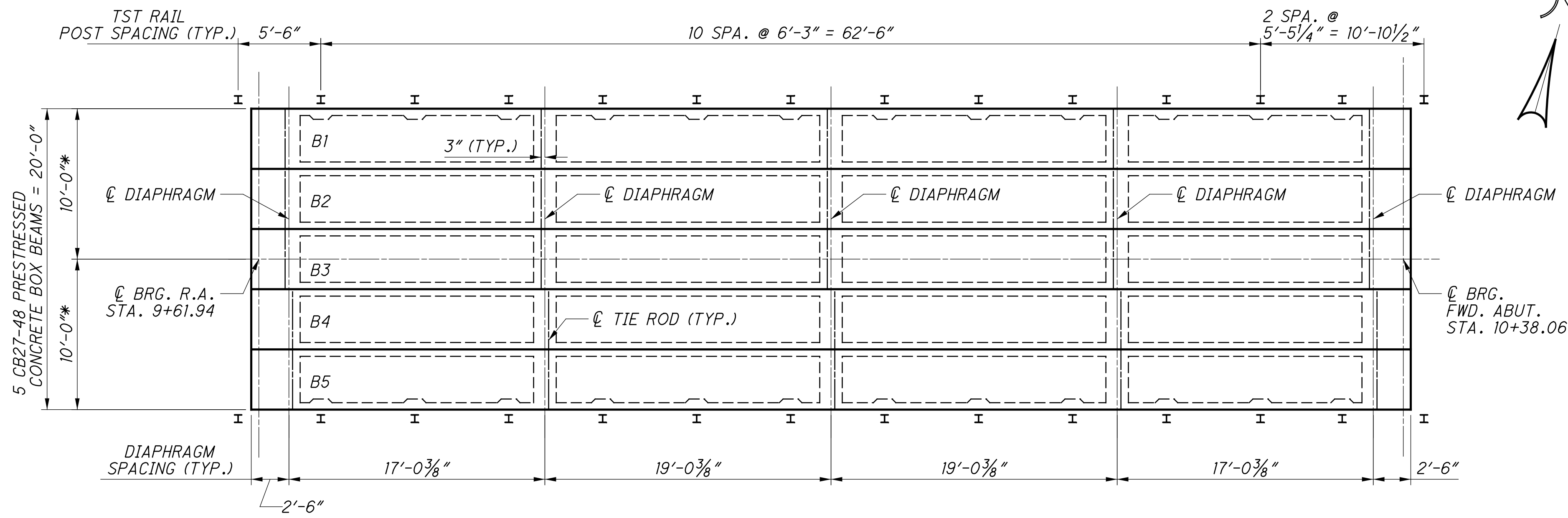
**DEFLECTION AND CAMBER NOTES**

ESTIMATED CAMBER AT DAY 0 ( $D_0$ ) IS  $1 \frac{3}{4}$ "  
 ESTIMATED CAMBER AT DAY 30 ( $D_{30}$ ) IS  $3 \frac{1}{8}$ "  
 DEFLECTION DUE TO REMAINING DEAD LOAD  
 (E.G. CONCRETE DECK, RAILINGS, UTILITIES, ETC.)  
 IS  $\frac{1}{16}$ " FOR BEAMS 1 AND 5 AND  $\frac{1}{16}$ " FOR  
 BEAMS 2 THROUGH 4. THE DECK SLAB THICKNESSES  
 ASSUME ESTIMATED CAMBER  $D_{30}$ .

	BEAM 1 (IN)	BEAM 3 (IN)	BEAM 5 (IN)
A	8 3/8	10	8 1/2
B	6 3/8	8	6 1/4
C	8 3/4	10 1/4	8 3/8
D	2 1/4	2 1/8	2 1/4

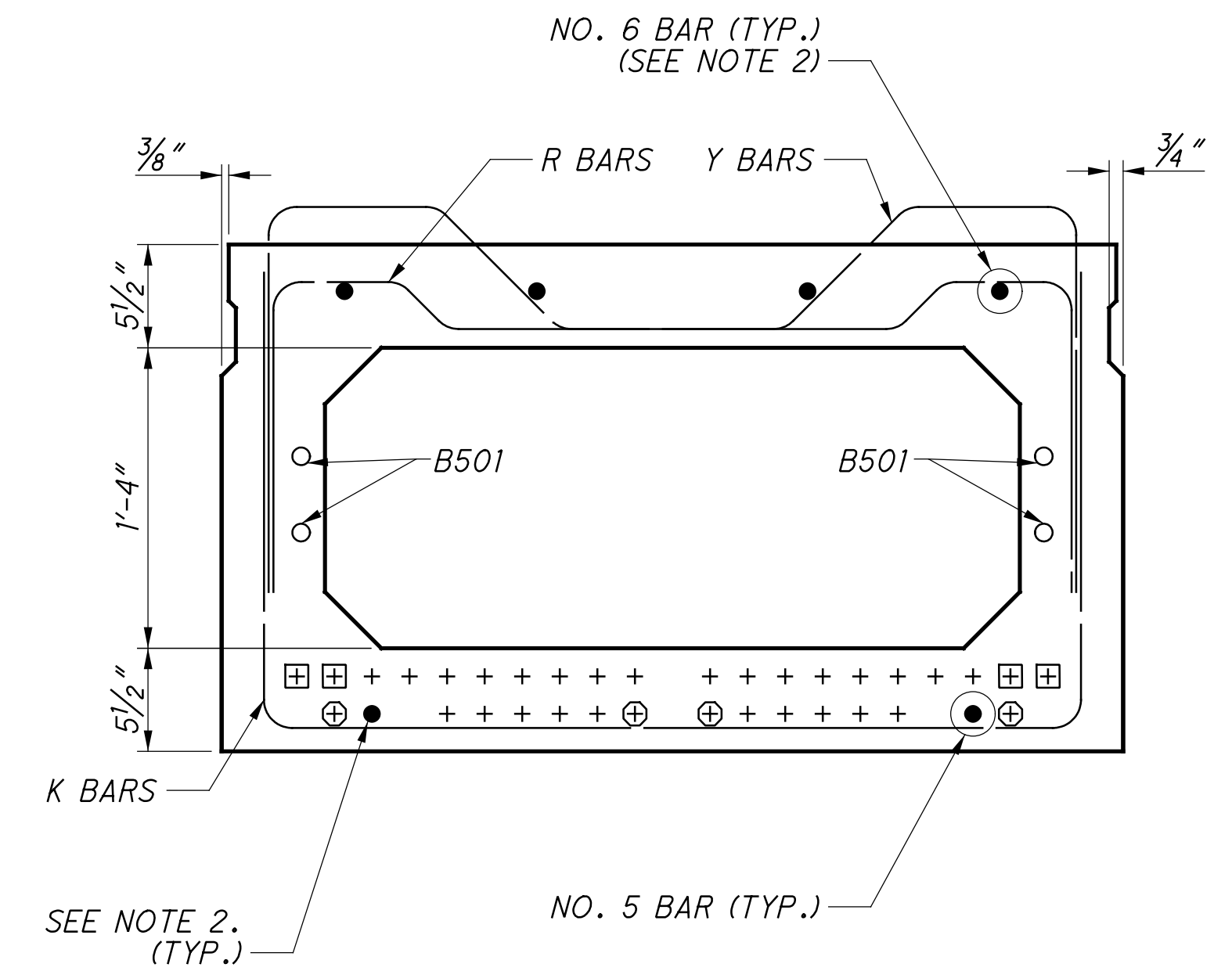
DESIGN AGENCY: LIB Inc. • 6500 Newmark Drive • Miamiburg, OH 45342 • (937) 299-5000 fax • (937) 299-5100 fax • LibInc.com  
 DATE: 6/21  
 REVIEWED: DWS  
 DRAWN: JLM  
 DESIGNED: JLM  
 CHECKED: NRP  
 STRUCTURE FILE NUMBER: 8534774  
**CAMBER, SCREED, AND DECK ELEVATIONS**  
 BRIDGE NO. WAR-TR52-0402  
 T.R. 52 OVER FIRST CREEK  
**WAR-TR52-4-02**  
 PID No. 118135  
 9 / 12  
 25  
 28

O:\Warren\_Cnty\_Eng\018135A.00 - BR\_TR0052-0402\_Roach-Coz\18135\Design\Structures\WAR052\_0402L\Sheets\18135S5002.dgn Sheet 3/30/2023 4:05:50 PM jmelman



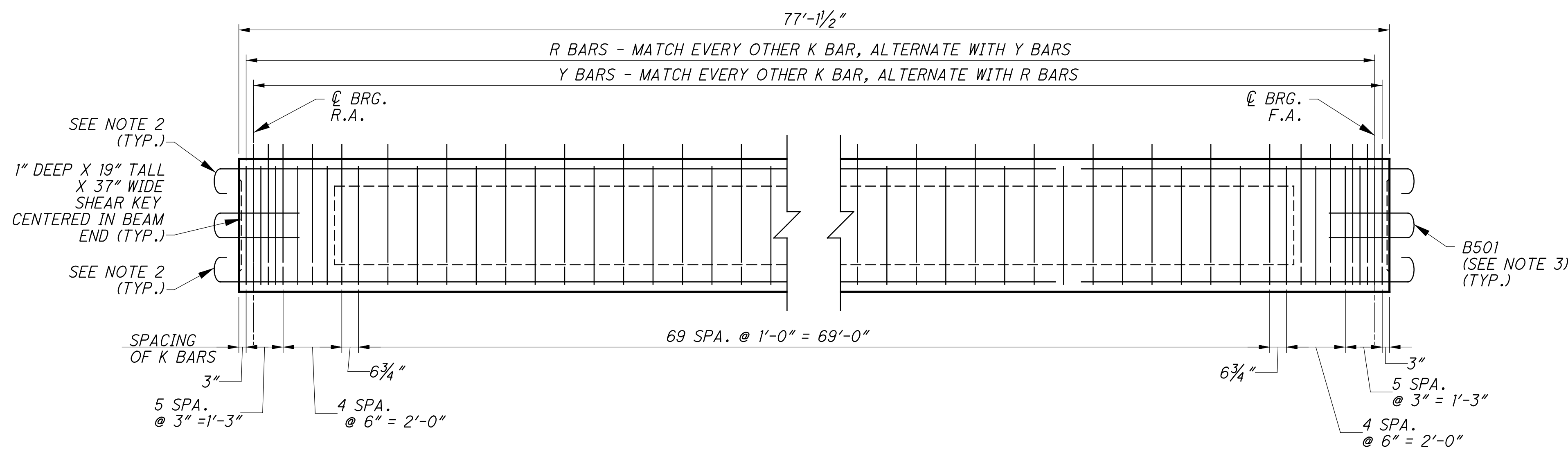
**PLAN VIEW**

\* - PLUS FIT-UP



**CB27-48 STRAND PATTERN**

- ⊕ = DEBOND STRAND 4'-0" EACH END OF BEAM
  - ⊕ = DEBOND STRAND 6"-0" EACH END OF BEAM
- 34 STRANDS

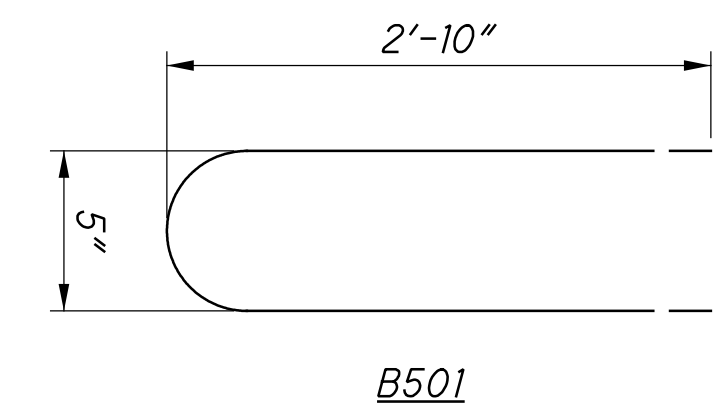


**TYPICAL BEAM SHEAR REINFORCING**

ALL SHEAR REINFORCING IS NO. 4 BARS  
(ELEVATION SHOWN AT BEAM CENTERLINE)

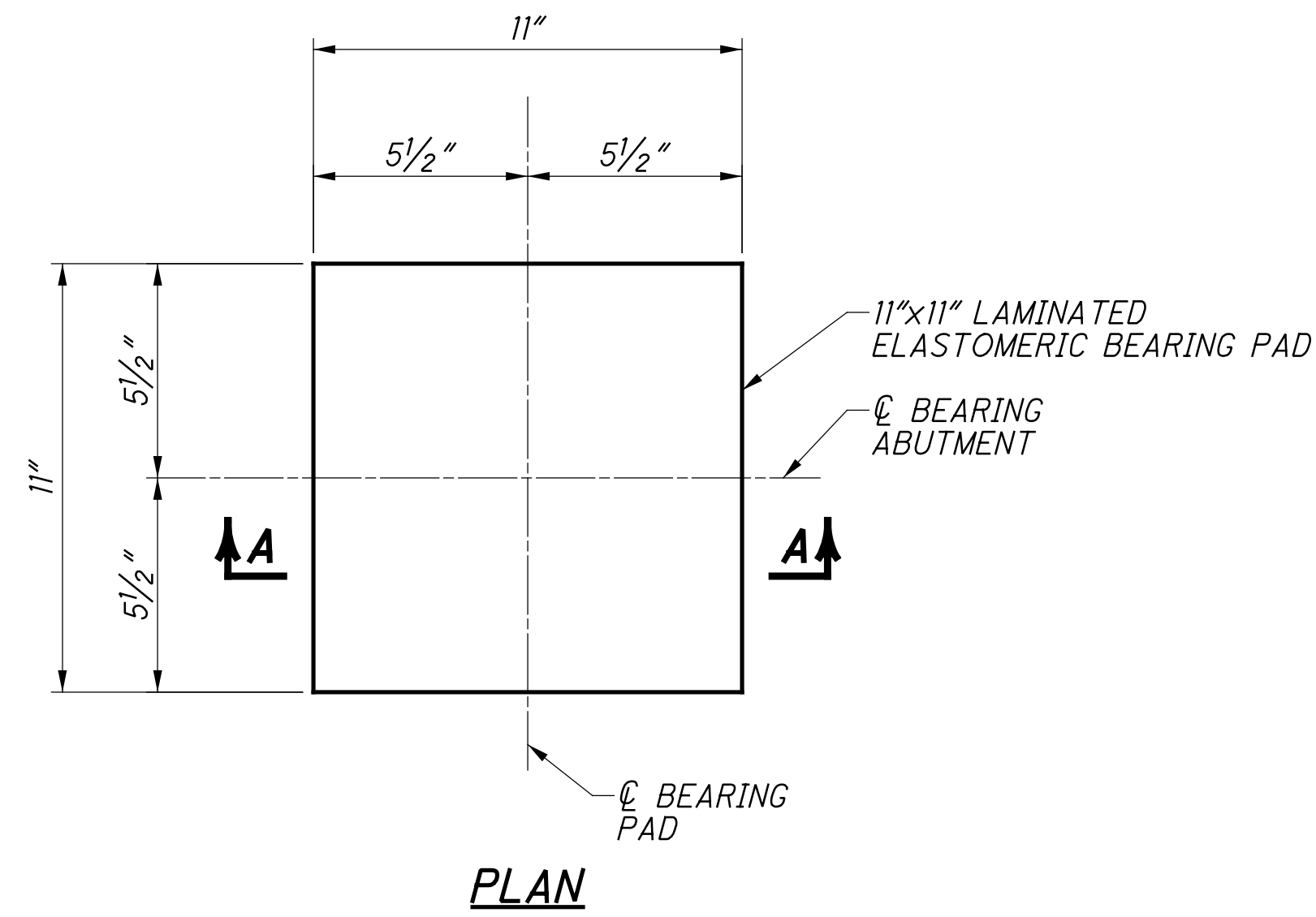
**NOTES:**

1. FOR ADDITIONAL BOX BEAM DETAILS, SEE STANDARD DRAWING PSBD-2-07.
2. TERMINATE FULL LENGTH TOP AND BOTTOM BARS WITH A STANDARD 180° HOOK WITH A 10" PROJECTION AS SHOWN.
3. PAYMENT FOR B501 BARS SHALL BE INCLUDED WITH ITEM 515 PRESTRESSED CONCRETE COMPOSITE BOX BEAM BRIDGE MEMBERS, LEVEL 1, CB27-48.
4. PROVIDE EXPANSION GAP IN TST RAILING BETWEEN TOP MOUNTED WINGWALL POST AND ADJACENT TST POST AT EACH CORNER. SEE SHEET 11 / 12 FOR DETAILS.
5. PROVIDE MODIFIED BASE PLATE FOR TST RAIL POSTS MOUNTED ON THE WINGWALLS. SEE SHEET 11 / 12 FOR DETAILS.

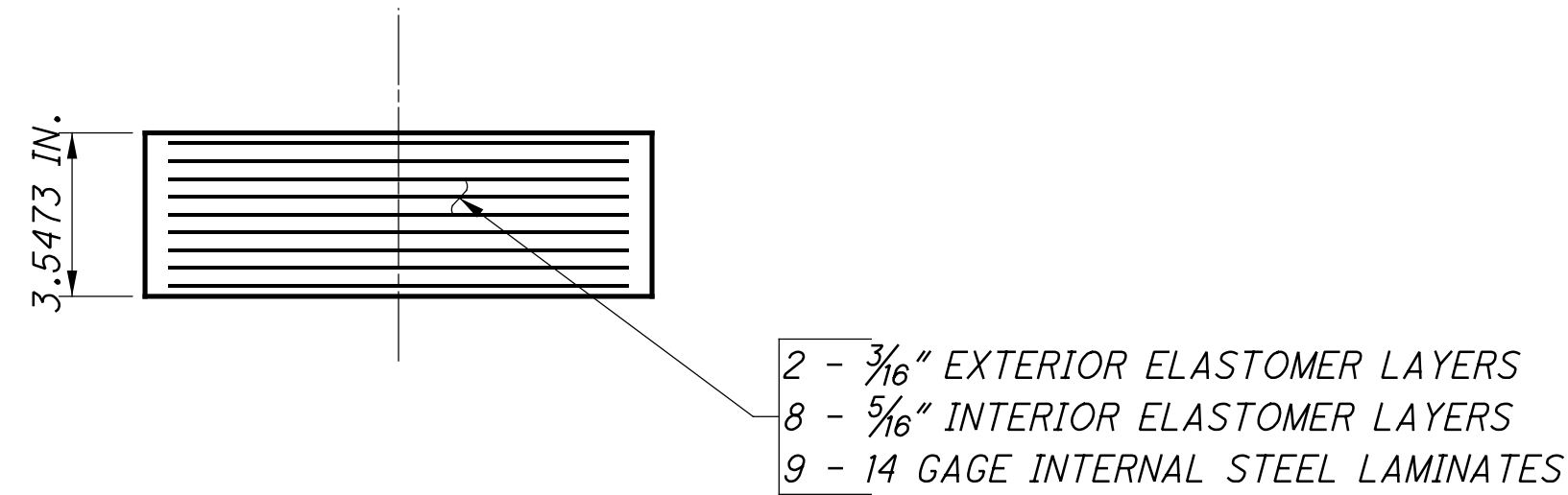


	DESIGN AGENCY LIB Inc. • 6500 Newmark Drive Marietta, OH 45742 (607) 295-5000 fax: (607) 295-5100 lib • LibInc.com	DATE 6/21	FILE NUMBER 8334774
DRAWN JLM	REVIEWED DWS	STRUCTURE FILE NUMBER 8334774	DESIGNED JLM
CHECKED NRP	SUPERSTRUCTURE DETAILS BRIDGE NO. WAR-TR 52-0402 OVER FIRST CREEK	WAR-TR 52-04.02 PID No. 118135	10 / 12 26 28

O:\Warren Cnty\_Eng\018135A.00 - BR\_TR0052-0402\_Roach-Coz\18135\Design\Structures\WAR052\_0402L\_Sheets\18135S003.dgn Sheet 3/30/2023 4:05:51 PM jmelman



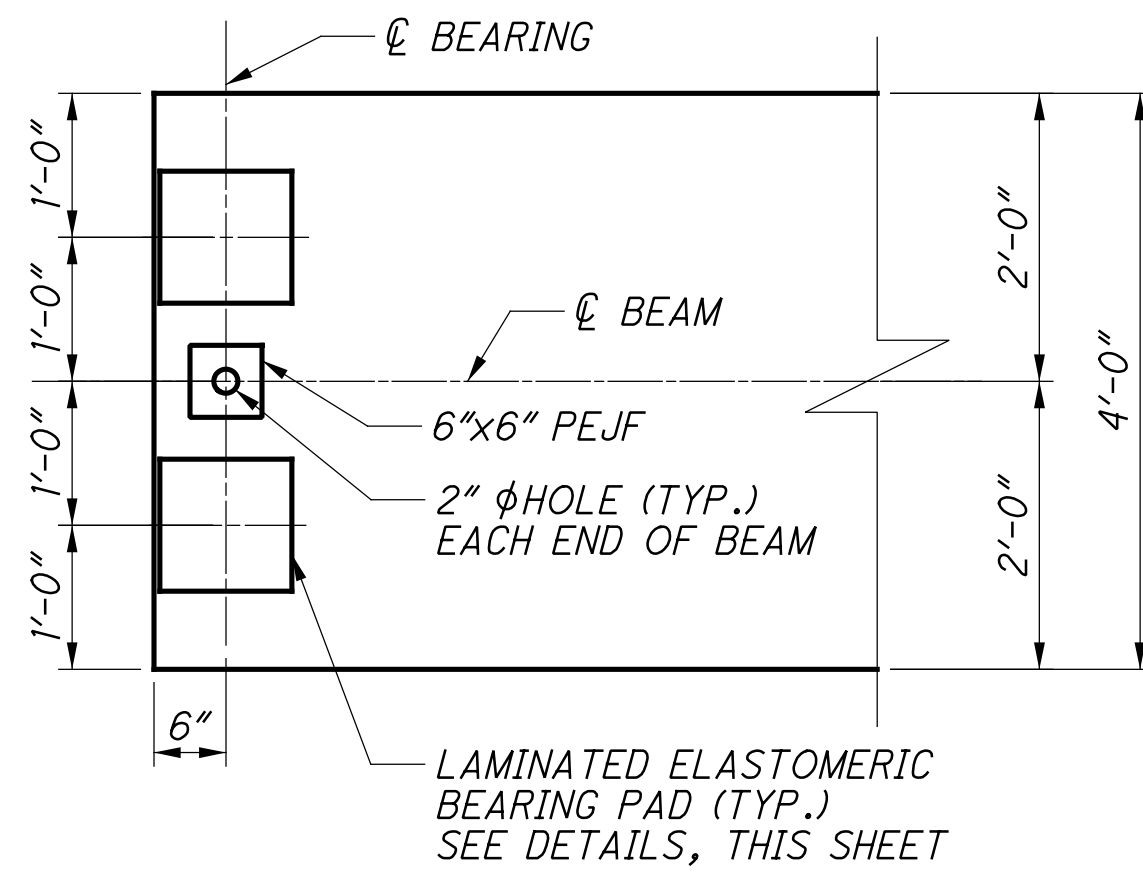
**PLAN**



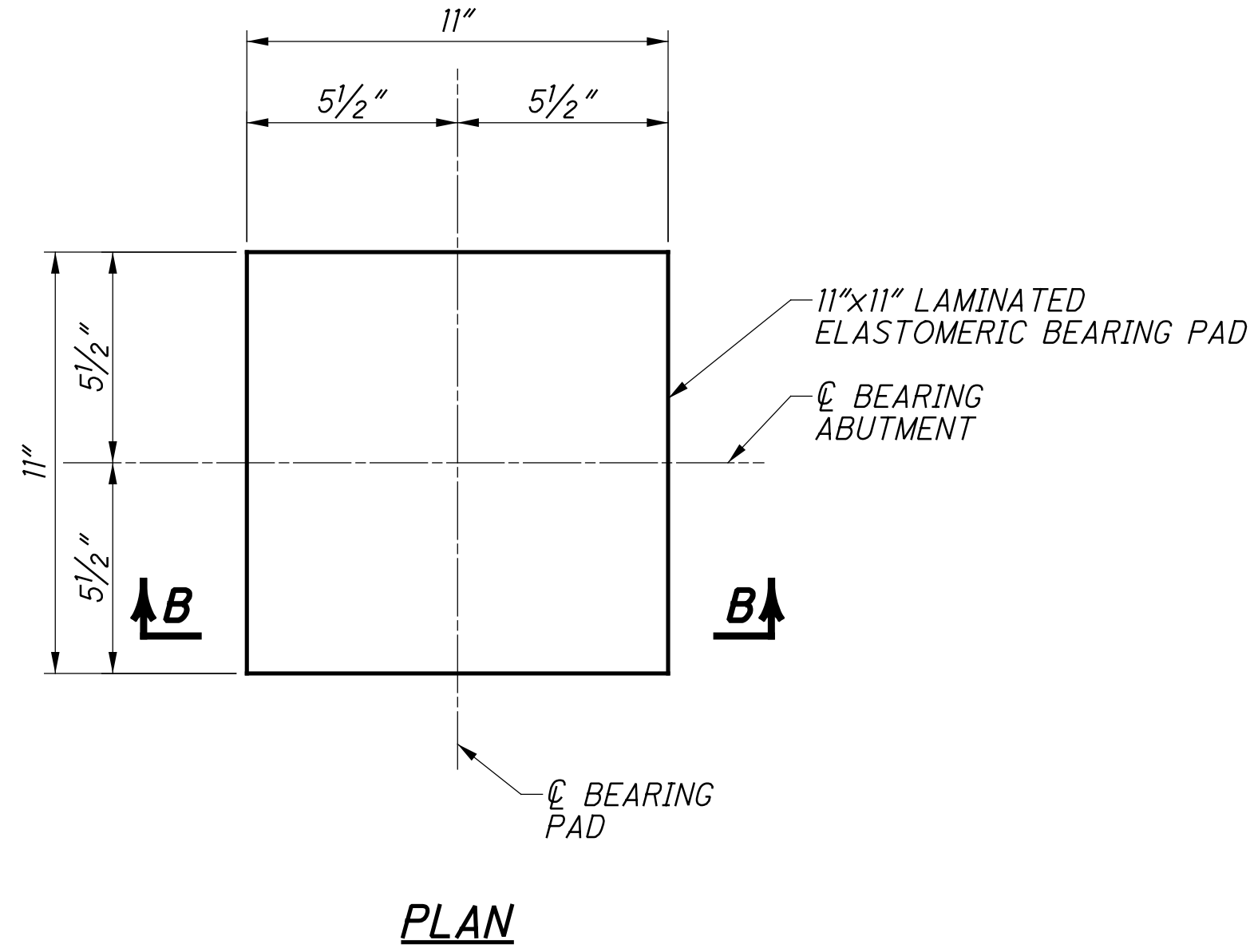
**SECTION A-A**

**LAMINATED ELASTOMERIC BEARING DETAILS  
REAR ABUTMENT**

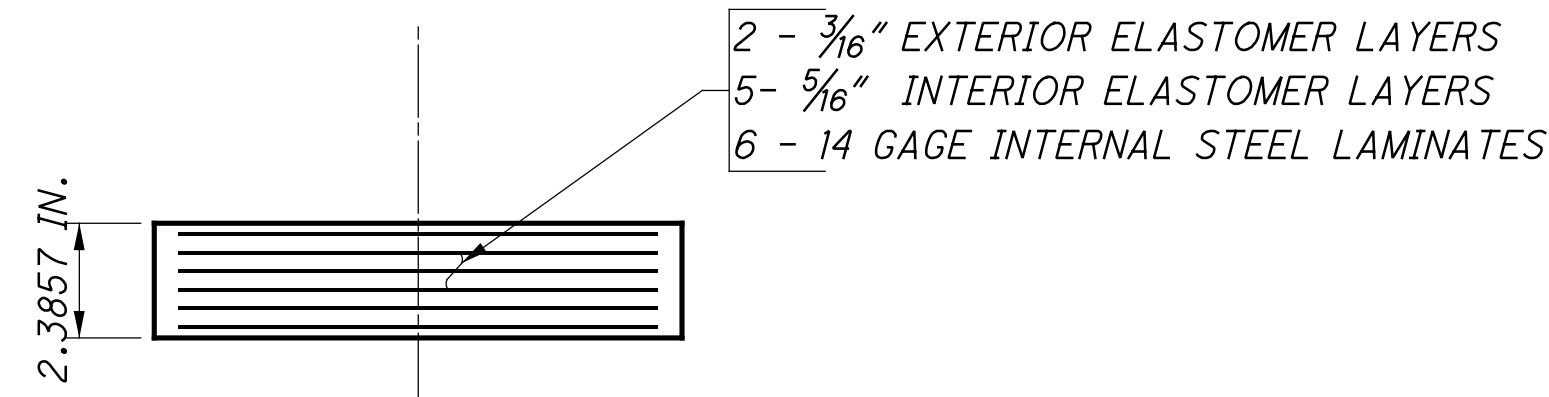
LIVE LOAD REACTION (W/O IMPACT): 30.8 KIPS  
 DEAD LOAD REACTION: 24.1 KIPS  
 MAXIMUM DESIGN LOAD: 54.9 KIPS



**BEARING PAD PLACEMENT PLAN  
REAR ABUTMENT**



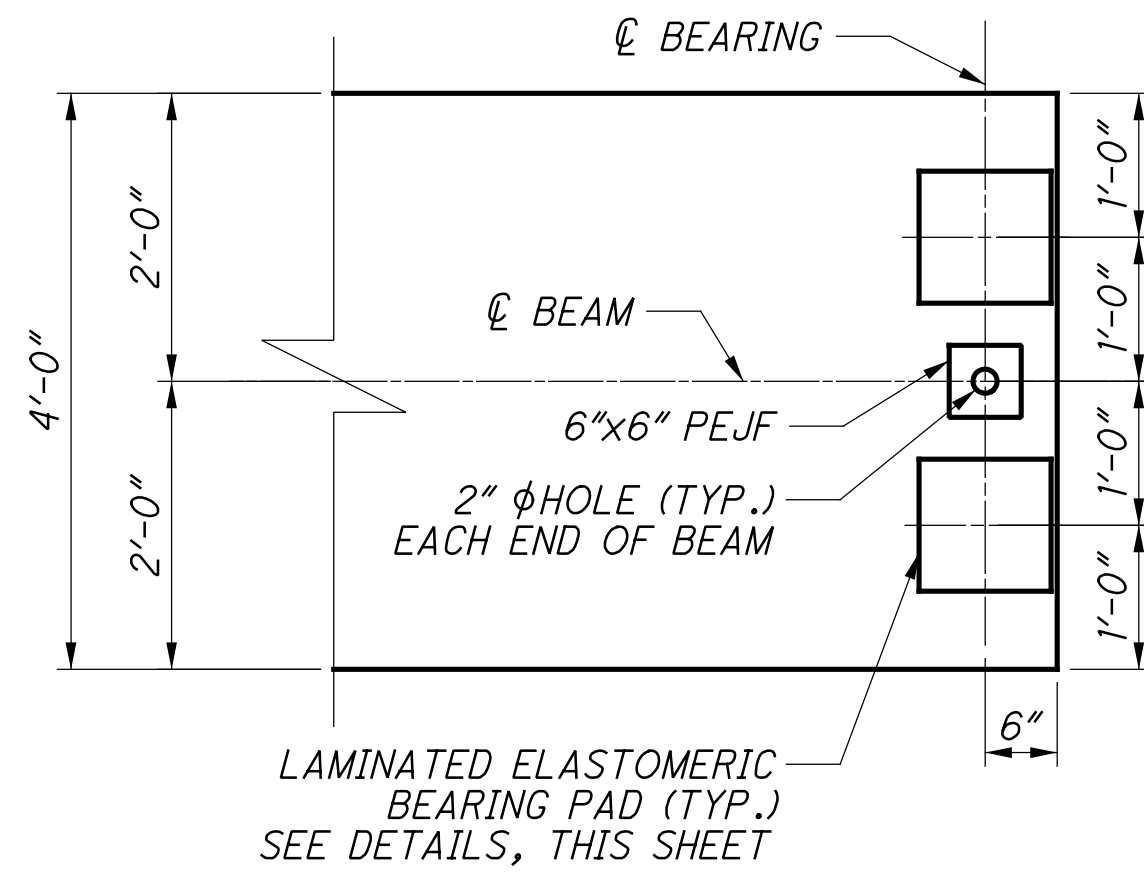
**PLAN**



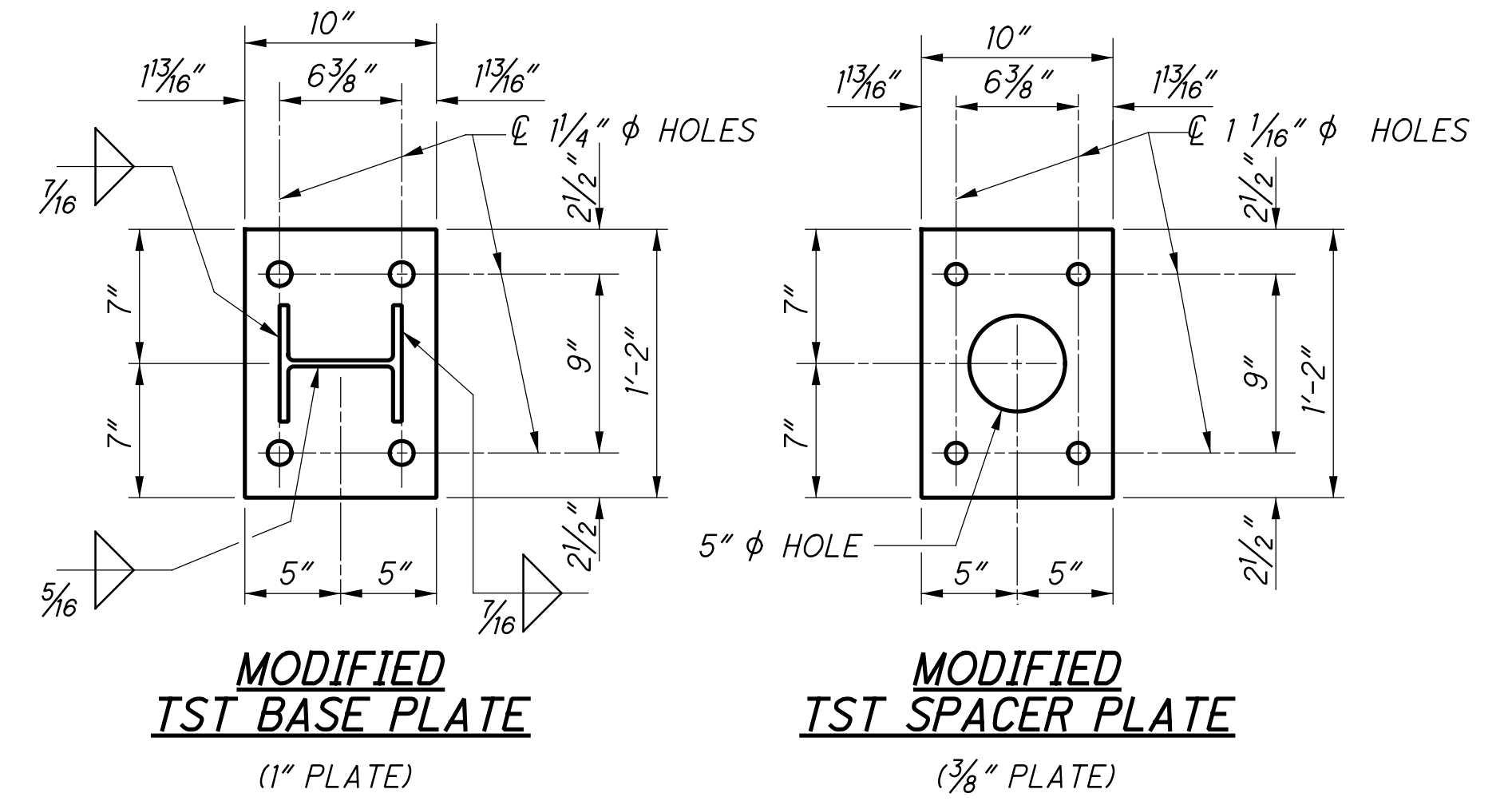
**SECTION B-B**

**LAMINATED ELASTOMERIC BEARING DETAILS  
FORWARD ABUTMENT**

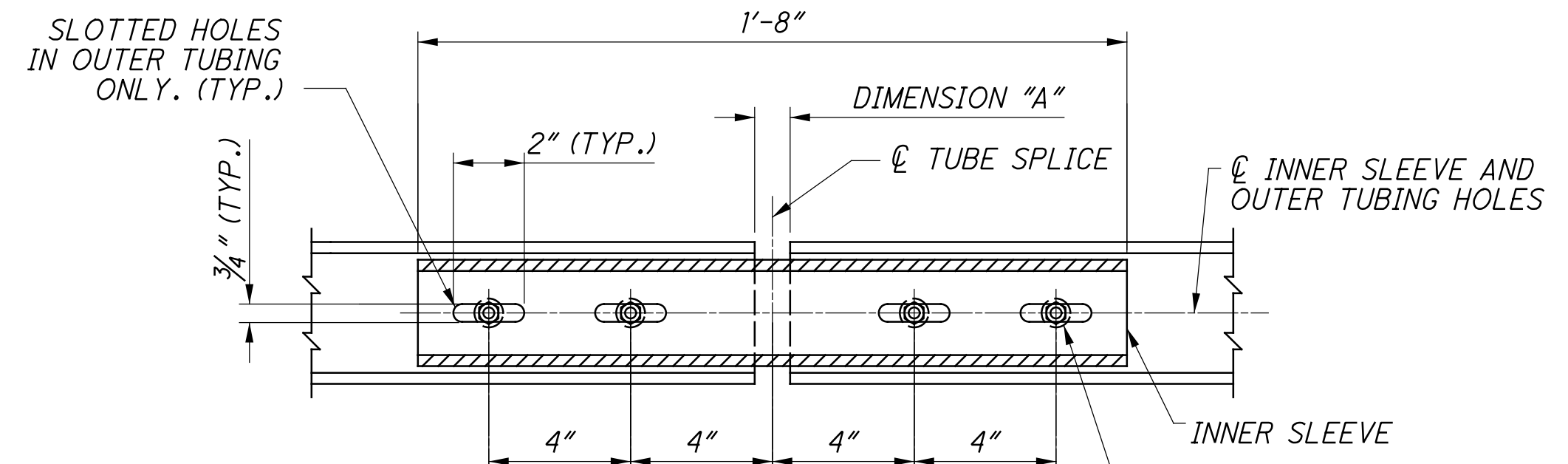
LIVE LOAD REACTION (W/O IMPACT): 30.8 KIPS  
 DEAD LOAD REACTION: 24.1 KIPS  
 MAXIMUM DESIGN LOAD: 54.9 KIPS



**BEARING PAD PLACEMENT PLAN  
FORWARD ABUTMENT**



TEMPERATURE (° F)	DIMENSION "A" (INCHES)
30	1 1/8
40	1 1/16
50	1 1/16
60	1
70	15/16
80	15/16
90	7/8



**STEEL TUBE EXPANSION JOINT  
SPLICE DETAILS**

BOLTS IN SLOTTED HOLES SHALL NOT BE DRAWN UP SO TIGHT AS TO PREVENT SLIDING BETWEEN THE OUTER TUBE AND THE INNER SPLICE. (TYP.)

**NOTES:**

- ELASTOMERIC BEARINGS: THE ELASTOMER SHALL HAVE A HARDNESS OF 50 DUROMETER. THE BEARINGS WERE DESIGNED IN ACCORDANCE WITH SECTION 14.7.6 (METHOD A) OF THE AASHTO LRFD BRIDGE DESIGN SPECIFICATIONS. THE LONG-TERM COMPRESSION PROOF LOAD TEST (AASHTO STANDARD SPECIFICATIONS FOR HIGHWAY BRIDGES, DIVISION II, SECTION 18.7.2.6) IS NOT REQUIRED.
- ALL BEARINGS SHALL BE MARKED PRIOR TO SHIPPING. THE MARKS SHALL INCLUDE THE BEARING LOCATION ON THE BRIDGE, AND A DIRECTION ARROW THAT POINTS UP-STATION. ALL MARKS SHALL BE PERMANENT AND BE VISIBLE AFTER THE BEARING IS INSTALLED.

DESIGN AGENCY: LUB Inc. • 6500 Newmark Drive • Miamisburg, OH 45342 • (937) 295-5000 fax • (937) 295-5100 fax • LibInc.com

DATE: 6/21  
 REVIEWED: DWS  
 DRAWN: JLM  
 CHECKED: JLM  
 DESIGNED: JLM

FILE NUMBER: 8334774  
 STRUCTURE FILE NUMBER: 8334774

BEARING AND RAILING DETAILS  
 BRIDGE NO. WAR-TR52-0402  
 OVER FIRST CREEK

WAR-TR52-4.02  
 PID No. 118135

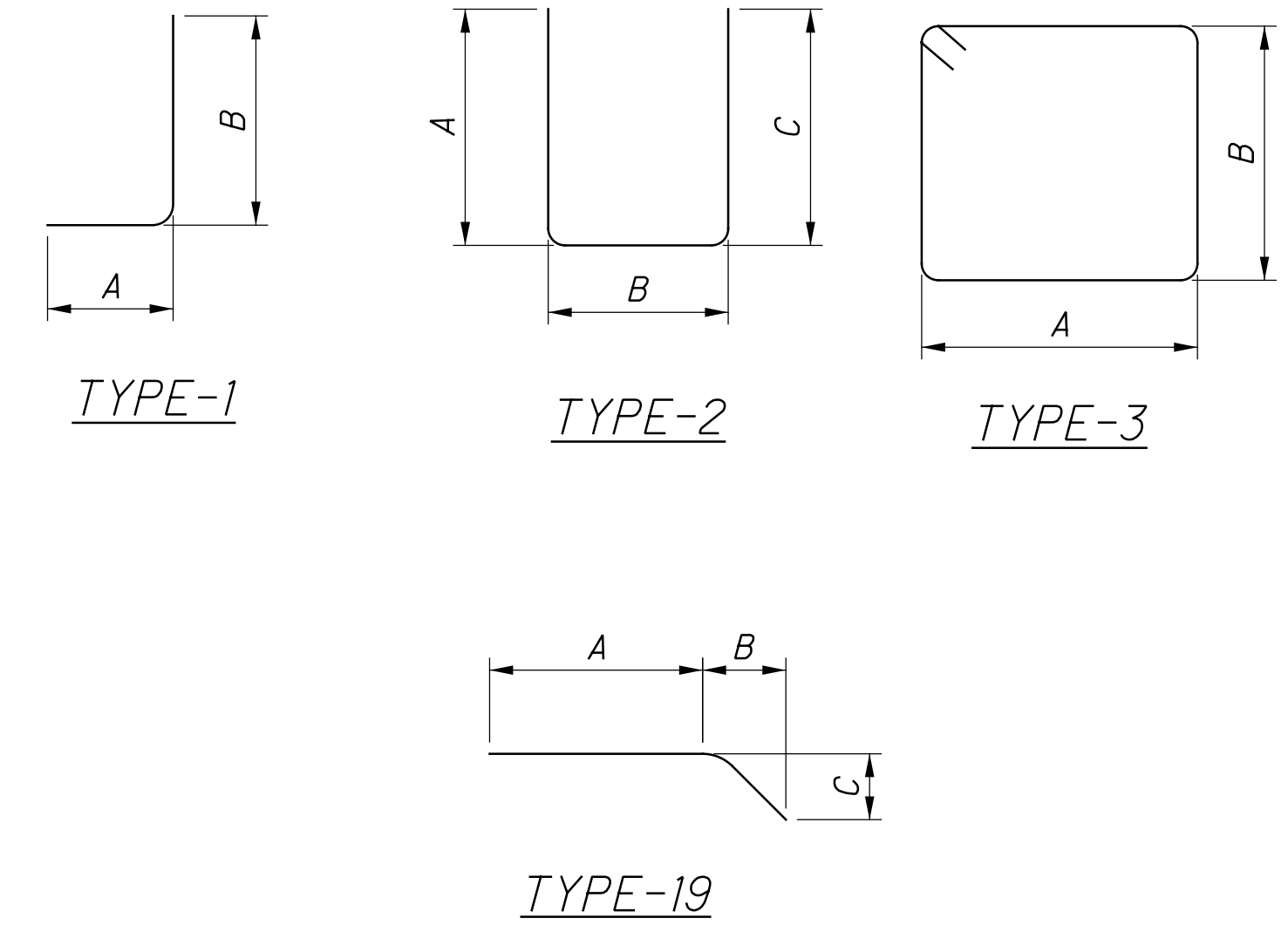
11 / 12

27  
28

O:\Warren Cnty\_Eng\018135A.00 - BR\_TR0052-0402\_Roach-Coz\18135\Design\Structures\WAR052\_0402L\_Sheets\18135SL001.dgn Sheet 3/30/2023 4:05:52 PM jmelman

MARK	NUMBER		LENGTH	WEIGHT	TYPE	DIMENSIONS						
		TOTAL				A	B	C	D	E	R	INC
<b>ABUTMENTS</b>												
	RA	FA										
A501	6	6	12	2'-4"	29	19	1'-0"	8 1/2"	1'-2"			
A502	8	8	16	4'-6"	75	STR						
A503		66	66	2'-1"	143	1	1'-4"	10"				
A504		39	39	5'-1"	207	STR						
A505		6	6	2'-7"	135	STR						
		1		4'-8"								
A506		SER. OF	7	TO	36	STR						13/16"
		7		5'-1"								
A507		6	6	5'-7"	35	STR						
A508		6	6	7'-2"	45	STR						
A509		7	7	3'-9"	27	STR						
A510		6	6	7'-6"	47	STR						
		1		5'-8"								
A511		SER. OF	5	TO	31	STR						1 3/4"
		5		6'-3"								
A512	6	6	12	2'-0"	25	19	9"	8"	1'-1 1/4"			
A513		75	75	1'-7"	124	1	10"	10"				
				SUBTOTAL	959							
<b>SUPERSTRUCTURE</b>												
D501	28		28	4'-11"	144	2	2'-0"	1'-2"	2'-0"			
D502	28		28	6'-9"	197	3	1'-2"	1'-11"				
D503	8		8	19'-8"	164	STR						
S601	108		108	19'-8"	3190	STR						
S602	28		28	30'-0"	1262	STR						
S603	14		14	22'-8"	477	STR						
				SUBTOTAL	5,434							
				TOTAL	6,393							

**BENDING DIAGRAMS**



**NOTES:**

1. ALL REINFORCING STEEL BARS SHALL BE EPOXY COATED.
2. ALL DIMENSIONS ARE OUT TO OUT OF BAR.
3. RADIUS DIMENSION "R" IS TO THE OUTSIDE OF THE BAR.
4. THE BAR SIZE NUMBER IS SPECIFIED ON THE PLANS IN THE BAR MARK COLUMN. THE FIRST DIGIT WHERE THREE DIGITS ARE USED, AND THE FIRST TWO DIGITS WHERE FOUR ARE USED, INDICATES THE BAR SIZE NUMBER.
5. ALL REINFORCING CLEARANCES ARE 2" UNLESS OTHERWISE NOTED IN THE PLANS.

<b>WAR - TR52 - 4.02</b>	REINFORCING LIST	DESIGNED BY JLM	CHECKED BY NRP	DRAWN BY JLM	REVISED
PID No. 118135	BRIDGE NO. WAR-TR52-0402 OVER FIRST CREEK	REVIEWED BY DWS	STRUCTURE FILE NUMBER 8334774	DATE 6/21	DESIGN AGENCY LJB Inc. • 6500 Newmark Drive Miamisburg, OH 45342 (937) 295-5100 fax • (937) 295-5100
12 / 12	28 / 28				



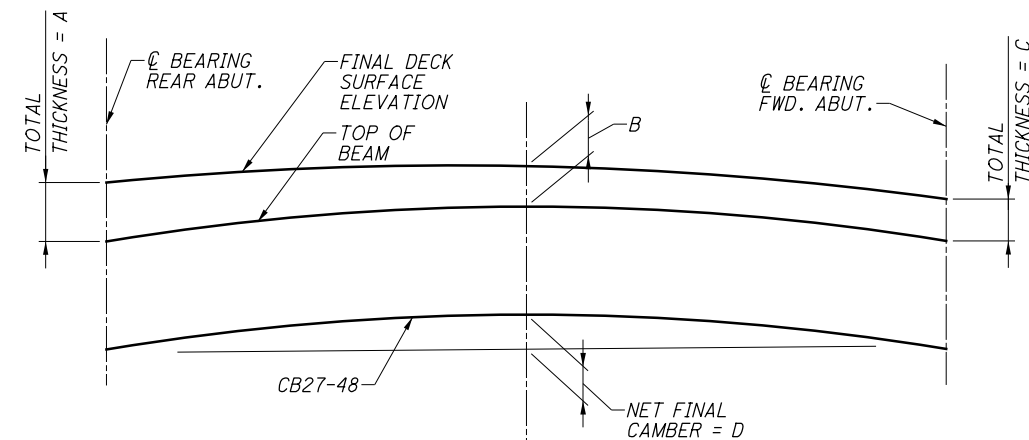
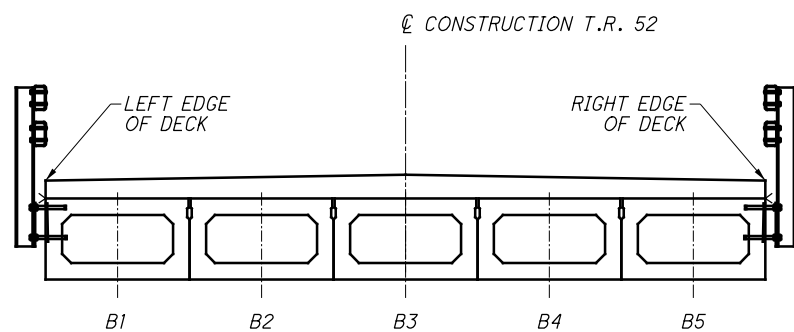
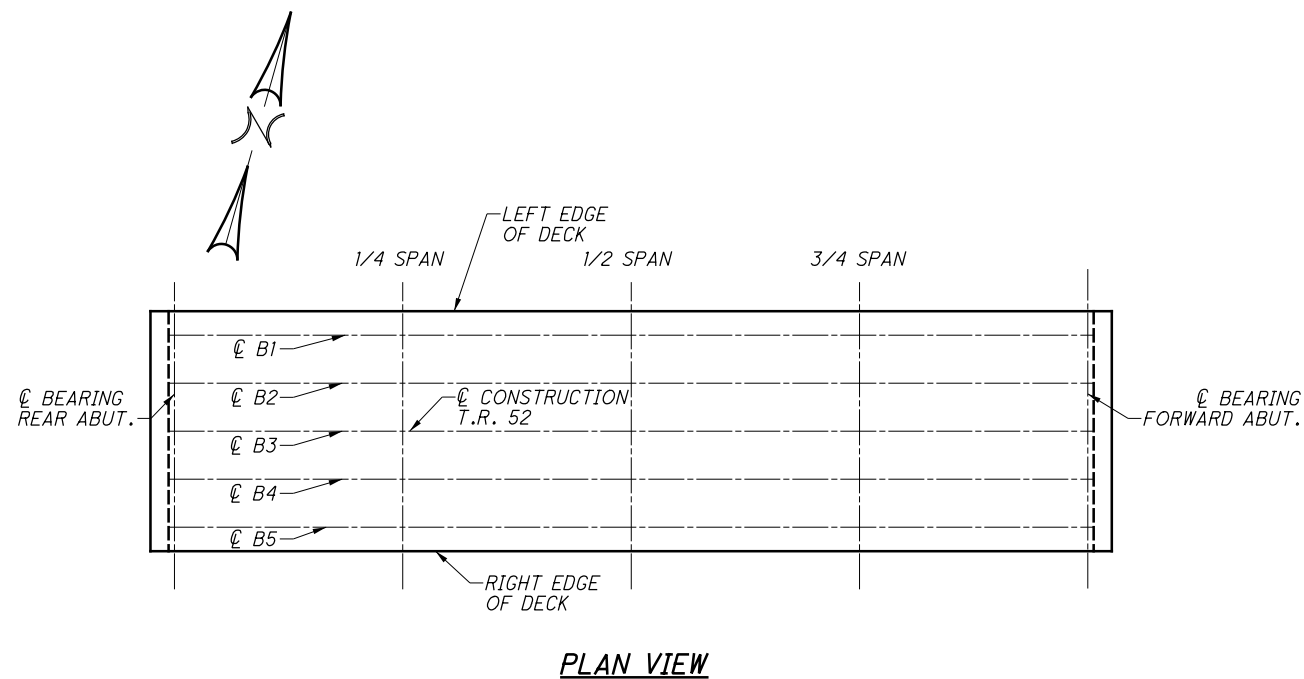
O:\Warren Cnty Eng\018135A.00 - BR\_TR0052-0402\_Roach-Coz\18135\Design\Structures\WAR052-0402L\_Sheets\18135S5001.dgn\_Sheet 3/30/2023 3:59:46 PM jmelman

FINAL DECK SURFACE STATIONS AND ELEVATIONS							
LOCATION	LEFT EDGE OF DECK	☉ BEAM 1	☉ BEAM 2	☉ BRIDGE AND BEAM 3	BEAM 4	☉ BEAM 5	RIGHT EDGE OF DECK
☉ BRG. REAR ABUT.	9+61.94	9+61.94	9+61.94	9+61.94	9+61.94	9+61.94	9+61.94
	814.63	814.66	814.72	814.79	814.72	814.66	814.63
1/4	9+80.97	9+80.97	9+80.97	9+80.97	9+80.97	9+80.97	9+80.97
	814.60	814.63	814.69	814.76	814.69	814.63	814.60
1/2	10+00.00	10+00.00	10+00.00	10+00.00	10+00.00	10+00.00	10+00.00
	814.57	814.60	814.67	814.73	814.67	814.60	814.57
3/4	10+19.03	10+19.03	10+19.03	10+19.03	10+19.03	10+19.03	10+19.03
	814.54	814.57	814.64	814.70	814.64	814.57	814.54
☉ BRG. FWD. ABUT.	10+38.06	10+38.06	10+38.06	10+38.06	10+38.06	10+38.06	10+38.06
	814.51	814.61	814.67	814.61	814.54	814.54	814.51

NOTE: FINAL DECK SURFACE ELEVATIONS SHOWN REPRESENT THE DECK SURFACE LOCATION AFTER ALL ANTICIPATED DEAD LOAD DEFLECTIONS HAVE OCCURRED.

SCREED STATIONS AND ELEVATIONS			
LOCATION	LEFT FASCIA	PROFILE GRADE	RIGHT FASCIA
☉ BRG. REAR ABUT.	9+61.94	9+61.94	9+61.94
	814.63	814.79	814.63
1/4	9+80.97	9+80.97	9+80.97
	814.65	814.82	814.65
1/2	10+00.00	10+00.00	10+00.00
	814.65	814.82	814.65
3/4	10+19.03	10+19.03	10+19.03
	814.59	814.76	814.59
☉ BRG. FWD. ABUT.	10+38.06	10+38.06	10+38.06
	814.51	814.67	814.51

NOTE: SCREED ELEVATIONS SHOWN REPRESENT THE THEORETICAL DECK SURFACE LOCATION PRIOR TO DEFLECTIONS CAUSED BY DECK PLACEMENT AND OTHER ANTICIPATED DEAD LOADS.



(ANTICIPATED DECK THICKNESS)  
(NOT TO SCALE)

**DEFLECTION AND CAMBER NOTES**

ESTIMATED CAMBER AT DAY 0 ( $D_0$ ) IS  $1 \frac{3}{4}$ "  
 ESTIMATED CAMBER AT DAY 30 ( $D_{30}$ ) IS  $3 \frac{1}{8}$ "  
 DEFLECTION DUE TO REMAINING DEAD LOAD  
 (E.G. CONCRETE DECK, RAILINGS, UTILITIES, ETC.)  
 IS  $\frac{1}{16}$ " FOR BEAMS 1 AND 5 AND  $\frac{1}{16}$ " FOR  
 BEAMS 2 THROUGH 4. THE DECK SLAB THICKNESSES  
 ASSUME ESTIMATED CAMBER  $D_{30}$ .

	BEAM 1 (IN)	BEAM 3 (IN)	BEAM 5 (IN)
A	8 3/8	10	8 1/2
B	6 3/8	8	6 1/4
C	8 3/4	10 1/4	8 3/8
D	2 1/4	2 1/8	2 1/4

DESIGN AGENCY  
 LIB Inc. • 2500 Newmark Drive  
 Miamingburg, OH 45342  
 (937) 266-0000 (tel) • (937) 296-5100 (fax) • LibInc.com

DATE  
 6/21

REVIEWED  
 DWS

STRUCTURE FILE NUMBER  
 8334774

DRAWN  
 JLM

CHECKED  
 NRP

DESIGNED  
 JLM

REVISIONS

CAMBER, SCREED, AND DECK ELEVATIONS  
 BRIDGE NO. WAR-TR52-0402  
 T.R. 52 OVER FIRST CREEK

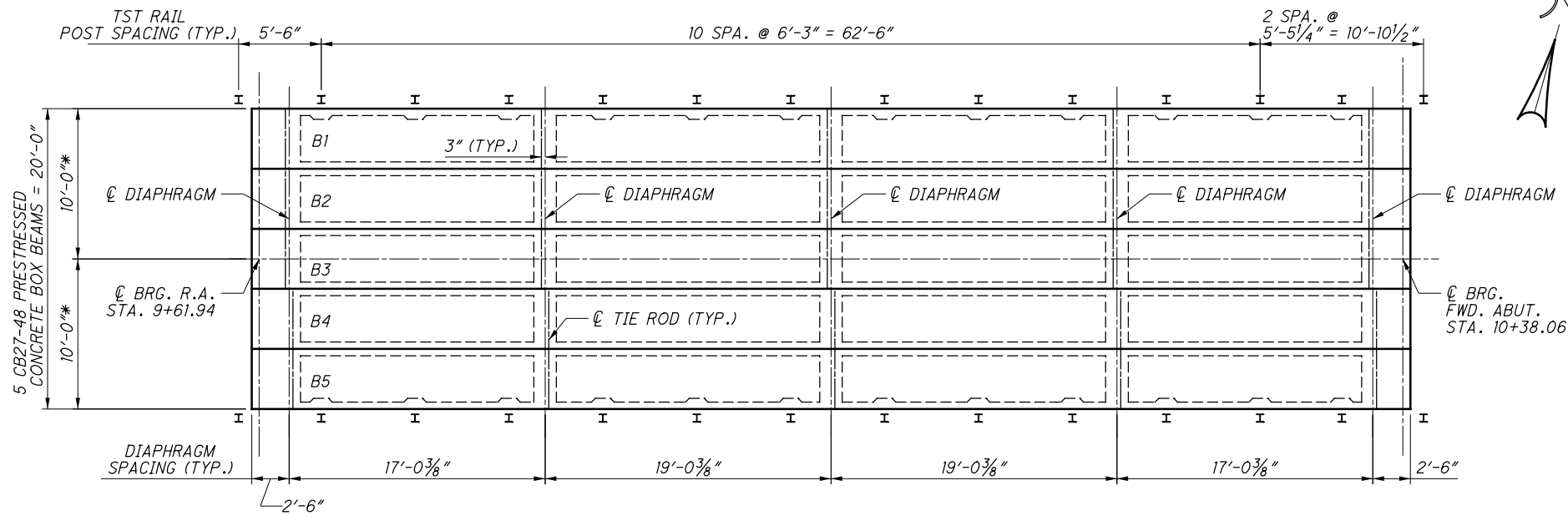
WAR-TR52-4-02  
 PID No. 118135

9 / 12

25

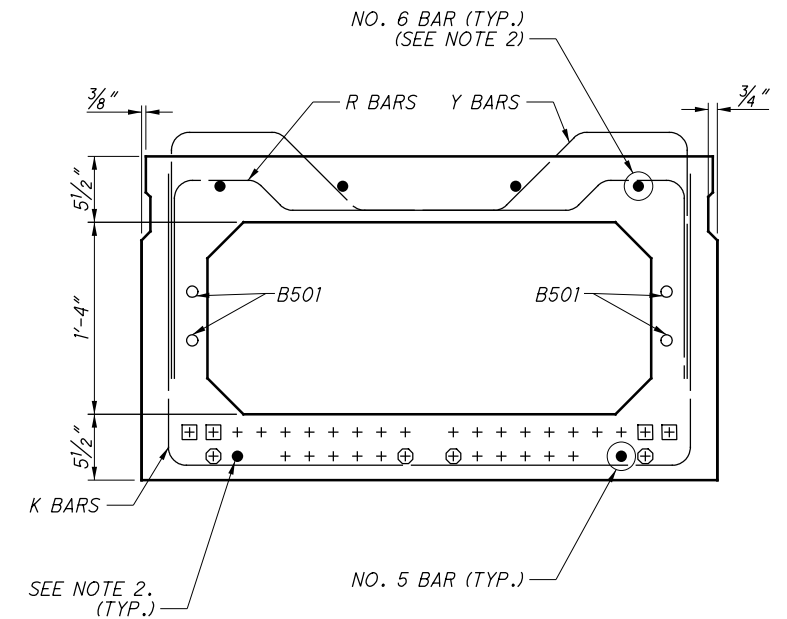
28

O:\Warren Cnty Eng\018135A.00 - BR\_TR0052-0402\_Roach-Coz\18135\Design\Structures\WAR052\_0402L\Sheets\18135S5002.dgn Sheet 3/30/2023 3:59:48 PM jmelman



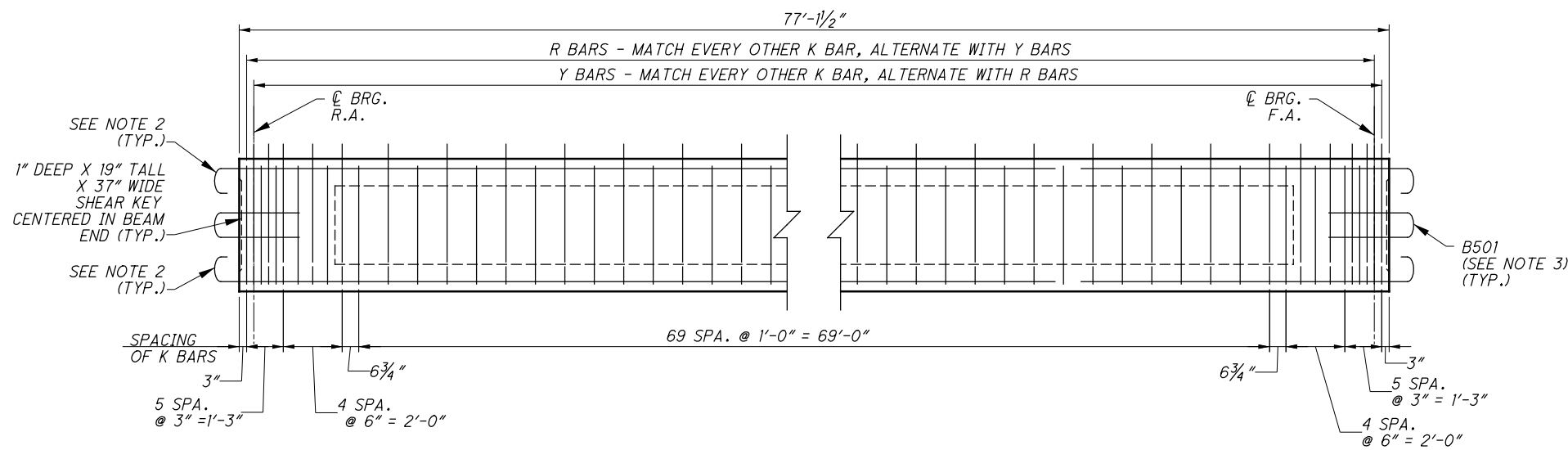
**PLAN VIEW**

\* - PLUS FIT-UP



**CB27-48 STRAND PATTERN**

- ⊕ = DEBOND STRAND 4'-0" EACH END OF BEAM
  - ⊕ = DEBOND STRAND 6''-0" EACH END OF BEAM
- 34 STRANDS

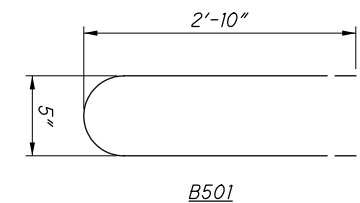


**TYPICAL BEAM SHEAR REINFORCING**

ALL SHEAR REINFORCING IS NO. 4 BARS  
(ELEVATION SHOWN AT BEAM CENTERLINE)

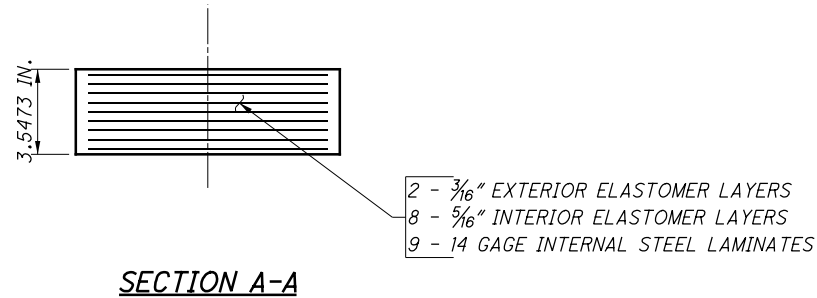
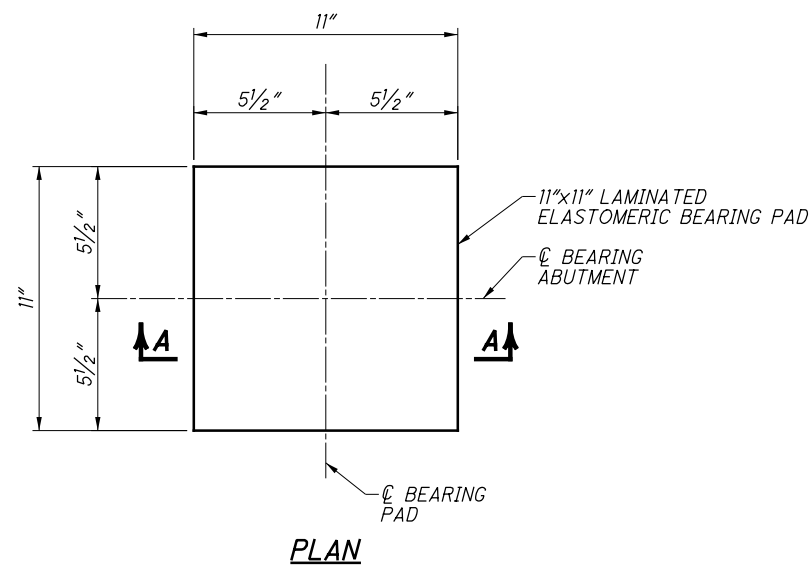
**NOTES:**

1. FOR ADDITIONAL BOX BEAM DETAILS, SEE STANDARD DRAWING PSBD-2-07.
2. TERMINATE FULL LENGTH TOP AND BOTTOM BARS WITH A STANDARD 180° HOOK WITH A 10" PROJECTION AS SHOWN.
3. PAYMENT FOR B501 BARS SHALL BE INCLUDED WITH ITEM 515 PRESTRESSED CONCRETE COMPOSITE BOX BEAM BRIDGE MEMBERS, LEVEL 1, CB27-48.
4. PROVIDE EXPANSION GAP IN TST RAILING BETWEEN TOP MOUNTED WINGWALL POST AND ADJACENT TST POST AT EACH CORNER. SEE SHEET 11 / 12 FOR DETAILS.
5. PROVIDE MODIFIED BASE PLATE FOR TST RAIL POSTS MOUNTED ON THE WINGWALLS. SEE SHEET 11 / 12 FOR DETAILS.



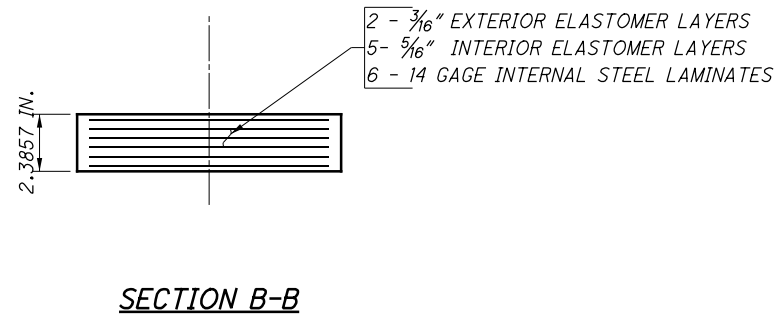
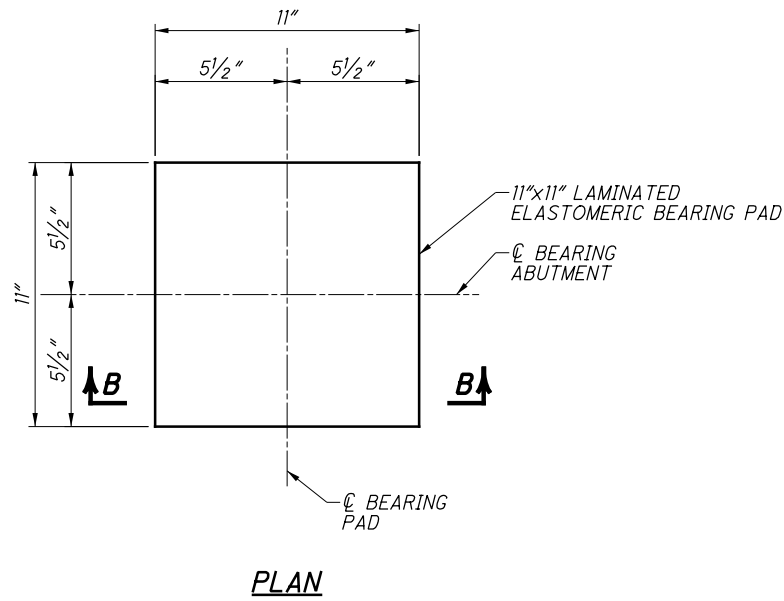
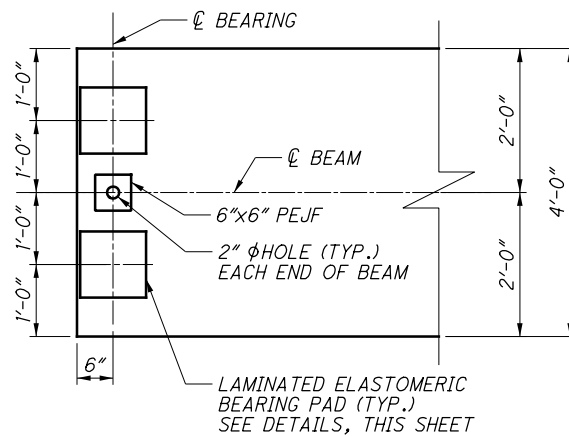
	DESIGN AGENCY LIB Inc. • 2500 Newmark Drive Marietta, OH 45754 (937) 295-5000 fax • (937) 295-5100 fax • libinc.com	DATE 6/21	STRUCTURE FILE NUMBER 8334774
DESIGNED JLM	DRAWN JLM	REVIEWED DWS	DATE 6/21
CHECKED NRP	REVISIONS REVISED	<b>SUPERSTRUCTURE DETAILS</b> BRIDGE NO. WAR-TR 52-0402 OVER FIRST CREEK	
<b>WAR-TR52-04.02</b> PID No. 118135		10 / 12	26 28

O:\Warren Cnty Eng\018135A.00 - BR\_TR052-0402\_Roach-Coz\18135\Design\Structures\WAR052\_0402L\Sheets\18135S003.dgn Sheet 3/30/2023 3:59:49 PM jmelman



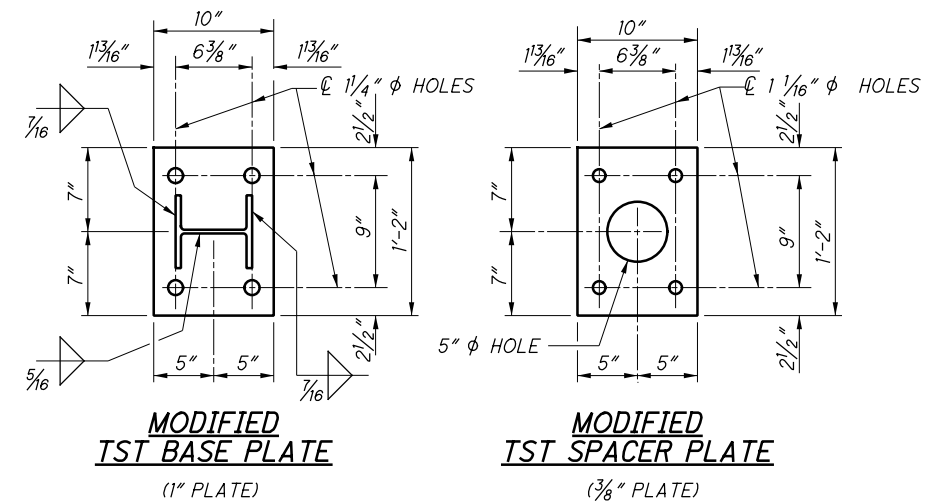
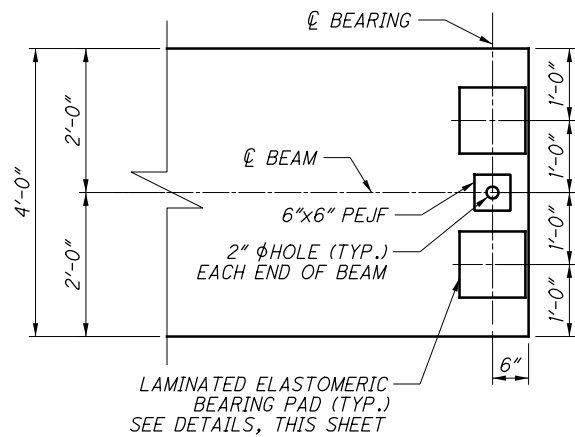
**LAMINATED ELASTOMERIC BEARING DETAILS  
 REAR ABUTMENT**

LIVE LOAD REACTION (W/O IMPACT): 30.8 KIPS  
 DEAD LOAD REACTION: 24.1 KIPS  
 MAXIMUM DESIGN LOAD: 54.9 KIPS

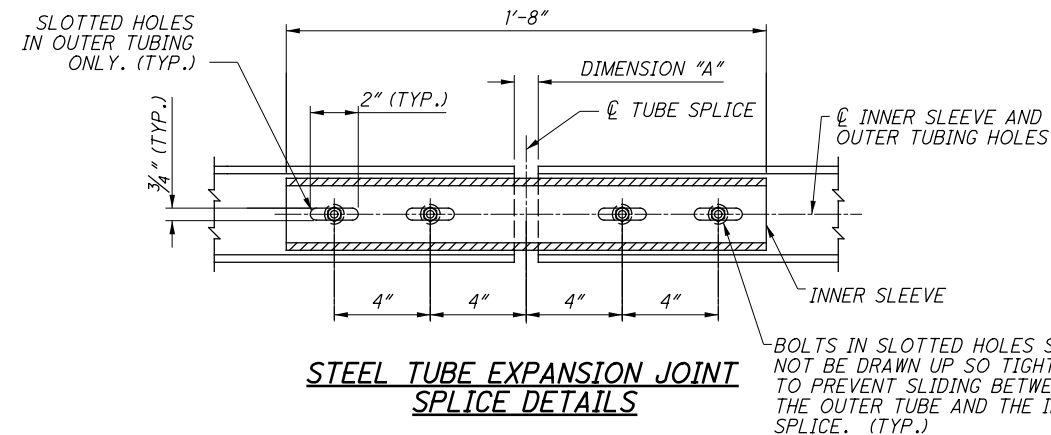


**LAMINATED ELASTOMERIC BEARING DETAILS  
 FORWARD ABUTMENT**

LIVE LOAD REACTION (W/O IMPACT): 30.8 KIPS  
 DEAD LOAD REACTION: 24.1 KIPS  
 MAXIMUM DESIGN LOAD: 54.9 KIPS



TEMPERATURE (° F)	DIMENSION "A" (INCHES)
30	1 1/8
40	1 1/16
50	1 1/16
60	1
70	15/16
80	15/16
90	7/8



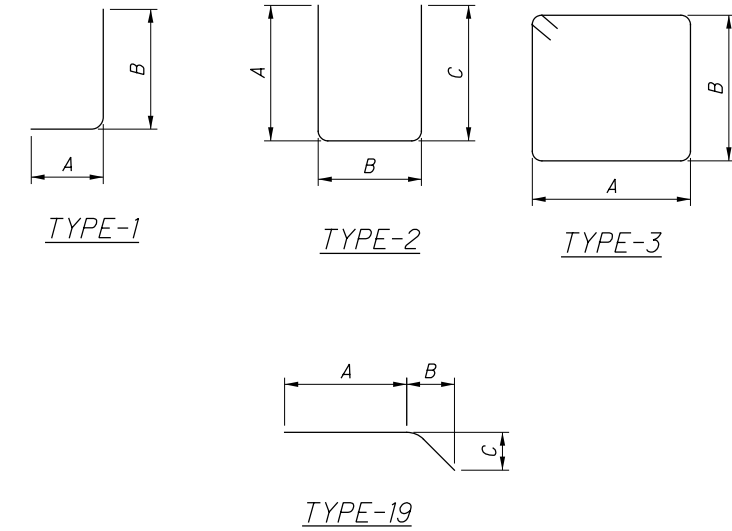
**NOTES:**

- ELASTOMERIC BEARINGS: THE ELASTOMER SHALL HAVE A HARDNESS OF 50 DUROMETER. THE BEARINGS WERE DESIGNED IN ACCORDANCE WITH SECTION 14.7.6 (METHOD A) OF THE AASHTO LRFD BRIDGE DESIGN SPECIFICATIONS. THE LONG-TERM COMPRESSION PROOF LOAD TEST (AASHTO STANDARD SPECIFICATIONS FOR HIGHWAY BRIDGES, DIVISION II, SECTION 18.7.2.6) IS NOT REQUIRED.
- ALL BEARINGS SHALL BE MARKED PRIOR TO SHIPPING. THE MARKS SHALL INCLUDE THE BEARING LOCATION ON THE BRIDGE, AND A DIRECTION ARROW THAT POINTS UP-STATION. ALL MARKS SHALL BE PERMANENT AND BE VISIBLE AFTER THE BEARING IS INSTALLED.

O:\Warren\_Cnty\_Eng\018135A.00 - BR\_TR0052-0402\_Roach-Coz\18135\Design\Structures\WAR052\_0402L\_Sheets\18135SL001.dgn\_Sheet 3/30/2023 3:59:50 PM jmelman

MARK	NUMBER		LENGTH	WEIGHT	TYPE	DIMENSIONS						
		TOTAL				A	B	C	D	E	R	INC
<b>ABUTMENTS</b>												
	RA	FA										
A501	6	6	12	2'-4"	29	19	1'-0"	8 1/2"	1'-2"			
A502	8	8	16	4'-6"	75	STR						
A503		66	66	2'-1"	143	1	1'-4"	10"				
A504		39	39	5'-1"	207	STR						
A505		6	6	2'-7"	135	STR						
		1		4'-8"								
A506		SER. OF	7	TO	36	STR						13/16"
		7		5'-1"								
A507		6	6	5'-7"	35	STR						
A508		6	6	7'-2"	45	STR						
A509		7	7	3'-9"	27	STR						
A510		6	6	7'-6"	47	STR						
		1		5'-8"								
A511		SER. OF	5	TO	31	STR						1 3/4"
		5		6'-3"								
A512	6	6	12	2'-0"	25	19	9"	8"	1'-1 1/4"			
A513		75	75	1'-7"	124	1	10"	10"				
				SUBTOTAL	959							
<b>SUPERSTRUCTURE</b>												
D501	28		28	4'-11"	144	2	2'-0"	1'-2"	2'-0"			
D502	28		28	6'-9"	197	3	1'-2"	1'-11"				
D503	8		8	19'-8"	164	STR						
S601	108		108	19'-8"	3190	STR						
S602	28		28	30'-0"	1262	STR						
S603	14		14	22'-8"	477	STR						
				SUBTOTAL	5,434							
				TOTAL	6,393							

**BENDING DIAGRAMS**



**NOTES:**

1. ALL REINFORCING STEEL BARS SHALL BE EPOXY COATED.
2. ALL DIMENSIONS ARE OUT TO OUT OF BAR.
3. RADIUS DIMENSION "R" IS TO THE OUTSIDE OF THE BAR.
4. THE BAR SIZE NUMBER IS SPECIFIED ON THE PLANS IN THE BAR MARK COLUMN. THE FIRST DIGIT WHERE THREE DIGITS ARE USED, AND THE FIRST TWO DIGITS WHERE FOUR ARE USED, INDICATES THE BAR SIZE NUMBER.
5. ALL REINFORCING CLEARANCES ARE 2" UNLESS OTHERWISE NOTED IN THE PLANS.

<b>WAR - TR52 - 4.02</b>	REINFORCING LIST	DESIGNED BY JLM	CHECKED BY NRP	DRAWN BY JLM	REVISOR	REVIEWED BY DWS	DATE 6/21	DESIGN AGENCY LIB Inc. • 2500 Newmark Drive Miamiburg, OH 45342 1937 256-0000 (tel) • (937) 296-5100 (fax) • libinc.com
PID No. 118135	BRIDGE NO. WAR-TR52-0402 OVER FIRST CREEK							STRUCTURE FILE NUMBER 8334774
12 / 12	28 / 28							

**BID/CONTRACT DOCUMENTS**

**ROACHESTER – COZADDALE ROAD BRIDGE #52-4.02 REHABILITATION  
PROJECT  
5% EDGE REQUIREMENT**

**ON BEHALF OF  
NEIL F. TUNISON  
WARREN COUNTY ENGINEER**

**WARREN COUNTY BOARD OF COMMISSIONERS  
406 JUSTICE DRIVE  
LEBANON, OHIO 45036  
(513) 695-1250**

# **PROPOSAL PRICE (BID) SHEET**

**ROACHESTER-COZADDALE ROAD BRIDGE #52-4.02 REHABILITATION PROJECT  
BID PROPOSAL**

Item No.	Description	Quantity	Unit	Unit Cost	Total Cost
<b>ROADWAY</b>					
201	Clearing and Grubbing, As Per Proposal Note	1	Lump		
202	Pavement Removed, Asphalt	448	SY		
202	Pipe Removed, 24" and Under	31	FT		
202	Guardrail Removed	248	FT		
203	Excavation	68	CY		
203	Embankment	124	CY		
606	Guardrail, Type MGS with Long Posts	100	FT		
606	MGS Bridge Terminal Assembly, Type 1 (Long Posts)	4	Each		
606	Anchor Assembly, MGS Type E (Long Posts)	4	Each		
626	Barrier Reflector, Type 2 (Bi-Directional)	8	Each		
690	Special - Mailbox Removed and Reset	1	Each		
				<b>Sub-Total =</b>	
<b>EROSION CONTROL</b>					
659	Topsoil	80	CY		
659	Seeding and Mulching	720	SY		
659	Repair Seeding and Mulching	36	SY		
659	Commercial Fertilizer	0.1	Ton		
659	Lime	0.15	Acre		
659	Water	3.89	M Gal		
832	Erosion Control, As Per Proposal Note	2,500	Each	\$ 1.00	\$ 2,500.00
				<b>Sub-Total =</b>	
<b>DRAINAGE</b>					
611	18" Conduit, Type D, 706.02	35	FT		
				<b>Sub-Total =</b>	
<b>PAVEMENT</b>					
204	Subgrade Compaction	560	SY		
254	Pavement Planing, Asphalt Concrete	214	SY		
301	Asphalt Concrete Base, PG 64-22	119	CY		
407	Tack Coat, As Per Proposal Note	75	Gal		
441	Asphalt Concrete Surface Course, Type 1, (448), PG 64-22	47	CY		
				<b>Sub-Total =</b>	

**ROACHESTER-COZADDALE ROAD BRIDGE #52-4.02 REHABILITATION PROJECT  
BID PROPOSAL**

Item No.	Description	Quantity	Unit	Unit Cost	Total Cost
	<b>TRAFFIC CONTROL</b>				
630	Ground Mounted Support, No. 3 Post	90	FT		
630	Sign, Flat Sheet	16	SF		
630	Removal of Ground Mounted Sign and Disposal	17	Each		
630	Removal of Ground Mounted Sign and Storage	2	Each		
630	Removal of Ground Mounted Post Support and Disposal	15	Each		
				<b>Sub-Total =</b>	
	<b>BRIDGE</b>				
202	Portions of Structure Removed, As Per Plan	1	Lump		
202	Wearing Course Removed	179	SY		
304	Aggregate Base (Granular Backfill), As Per Proposal Note	22	CY		
503	Unclassified Excavation, As Per Proposal Note	1	Lump		
509	Epoxy Coated Reinforcing Steel	6,393	Pound		
510	Dowel Holes with Non-Shrink, Non-Metallic Grout	181	Each		
511	Class QC2 Concrete, Superstructure, As Per Proposal Note	47	CY		
511	Class QC1 Concrete, Abutment, As Per Proposal Note	6	CY		
512	Sealing of Concrete Surfaces (Epoxy-Urethane), As Per Proposal Note	129	SY		
512	Treating of Concrete Bridge Deck with SRS, As Per Proposal Note	178	SY		
515	Prestressed Concrete Composite Box Beam Bridge Members, Level 1, CB27-48 (77'-1 1/2" Long), As Per Proposal Note	5	Each		
516	Preformed Elastomeric Compression Joint Seal	40	FT		
516	Semi-Integral Abutment Expansion Joint Seal	59	FT		
516	Elastomeric Bearing with Internal Laminates Only (Neoprene) (11" x 11" x 2.3857")	10	Each		
516	Elastomeric Bearing with Internal Laminates Only (Neoprene) (11" x 11" x 3.5473")	10	Each		
517	Railing (Twin Steel Tube), As Per Plan	168	FT		
518	Special - Steel Drip Strip, As Per Proposal Note	190	FT		
				<b>Sub-Total =</b>	
	<b>MISCELLANEOUS</b>				
614	Maintaining Traffic, As Per Proposal Note	1	Lump		
623	Construction Layout Stakes and Surveying, As Per Proposal Note	1	Lump		
624	Mobilization	1	Lump		
				<b>Sub-Total =</b>	
				<b>Project Total =</b>	



**BID PROPOSAL**

Proposal for the Roachester-Cozaddale Road Bridge #52-4.02 Rehabilitation Project. This work consists of rehabilitating the existing bridge and completing the related roadway items along Roachester-Cozaddale Road. The project shall be as per plans and specifications as provided by the Warren County Engineer.

The undersigned do hereby propose to furnish all labor, materials, tools, equipment, etc., necessary to construct this project for the Warren County Engineer’s Office. The above quotations to be in full force and effect for sixty (60) days after the date of opening bids. The full name and address of all persons and parties interested in the foregoing bids as principals are as follows:

**TOTAL BID PRICE \$ \_\_\_\_\_**

The contract will be awarded to the best and most responsive bid based on the qualifications of the Contractor and the total price of the Total Bid Price.

**SIGNED**

\_\_\_\_\_  
PRESIDENT

\_\_\_\_\_  
COMPANY

\_\_\_\_\_  
SECRETARY

\_\_\_\_\_  
BY

\_\_\_\_\_  
TITLE

\_\_\_\_\_  
DATE

\_\_\_\_\_  
ADDRESS

\_\_\_\_\_

## EXCEPTION SHEET

Exceptions: Exceptions to any bid specification must be clearly stated on this sheet. This sheet must be submitted with each bid. If there are no exceptions, please indicate "none" below.

1) \_\_\_\_\_

2) \_\_\_\_\_

3) \_\_\_\_\_

4) \_\_\_\_\_

5) \_\_\_\_\_

6) \_\_\_\_\_

7) \_\_\_\_\_

8) \_\_\_\_\_

9) \_\_\_\_\_

10) \_\_\_\_\_

**BIDDER IDENTIFICATION**

ATTENTION BIDDER:

Please fill out this form and submit with your bid.

COMPANY NAME:

---

CHIEF EXECUTIVE OFFICER:

---

ADDRESS:

---

---

PHONE NUMBER:

---

FAX NUMBER:

---

PROJECT CONTACT PERSON:

---

PHONE NUMBER:

---

E-MAIL ADDRESS:

---

FEDERAL ID #:

---

WEBSITE ADDRESS:

---

## TABLE OF CONTENTS

Proposal Price (Bid) Sheet  
Exception Sheet  
Bidder Identification

- A) Invitation to Bidders  
Directions to Warren County Administration Building
- B) General Instructions to Bidders
- C) Non-collusion Affidavit
- D) Bid Guaranty & Contract Bond
- E) Performance Bond
- F) Contract
- G) Bond & Insurance Requirements
- H) Experience Statement
- I) Affidavit of Non-Delinquency of Real and/or Personal Property Tax
- J) Non-Discrimination and Equal Employment Opportunity Requirements and Affidavit
- K) Findings for Recovery Affidavit
- L) Wage Rate Determination
- M) Special Provisions/Technical Specifications and ODOT's LPA Template

***SECTION A***

***INVITATION TO BIDDERS***

## INVITATION TO BIDDERS

Sealed bids will be received by the Clerk of the County Commissioners, Warren County, Ohio, 406 Justice Drive, Lebanon, Ohio 45036, until 9:30 a.m., January 23, 2024, and then at said time bids will be opened and read aloud for the Roachester – Cozaddale Road Bridge #52-4.02 Rehabilitation Project.

Bid documents and specifications are available online at the Warren County’s Website at <https://www.co.warren.oh.us/commissioners/Bids/Default.aspx>. Questions regarding the technical specifications should be directed to Roy Henson, Bridge Engineer, at the Warren County Engineer’s Office, at (513) 695-3310. **Only ODOT prequalified contractors are eligible to submit bids for this Project.** Pre-qualification status must be in force **at the time of bid, at the time of award, and through the life of the construction contract.** For work types that ODOT does not pre-qualify, the LPA must still select a qualified contractor. Subcontractors are not subject to the pre-qualification requirement. The “prime” contractor must perform no less than 30 percent of the total original contract price. Each bid shall contain the full name of each person or company submitting the bid and be accompanied by a bid bond for the full amount of the bid or a certified check in the amount equal to ten (10) percent of the bid.

A Bid guaranty, as required by Ohio Revised Code, Section 153.54, shall accompany each proposal submitted, as follows:

1. A Certified check, cashier’s check, or letter of credit equal to ten (10) percent of the bid. A letter of credit may only be revocable by the Owner. Upon entering into a contract with the Owner, the contractor must file a performance bond for the amount of the contract, and the bid guaranty will then be returned to the successful and unsuccessful bidders upon contract execution.

**OR**

2. A form of bid guaranty bond (attached) for the full amount of the bid. Such bond is retained for the successful bidder but returned to unsuccessful bidders after the contract is executed.

Contact the Warren County Commissioner’s Office at (513) 695-1250 should you need assistance in accessing the bidding information on the County’s website. All contract addenda will be posted to the website prior to the bid opening. Bidders should check the website regularly to stay updated on any changes to the project.

**Please be aware that if you are downloading this document to bid this project, and in order to stay updated on any change, please email Krystal Powell in the Commissioners’ Office at [krystal.powell@co.warren.oh.us](mailto:krystal.powell@co.warren.oh.us) with your contact information.**

All contractors and subcontractors involved with the project will, to the extent practicable, use Ohio products, materials, services, and labor in the implementation of their project. Additionally, contractors must comply with the Equal Employment Opportunity Requirements of Ohio Administrative Code Chapter 123.

Attention of bidders is called to all of the requirements contained in the bid packet. No bidder may withdraw his/her bid within sixty (60) days after the actual date of the opening thereof. All bids shall be properly signed by an authorized representative of the bidder.

All bids shall be sealed and plainly marked “**Bid Opening – Roachester – Cozaddale Road Bridge #52-4.02 Rehabilitation Project.**”

Warren County reserves the right to reject any or all bids submitted, to waive any irregularities in bids, and enter into a contract with the Bidder who in Warren County’s consideration offered the lowest and best bid.

By order of the Board of County Commissioner, County of Warren, State of Ohio.

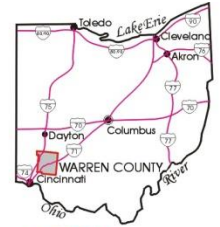
---

Tina Osborne, Clerk

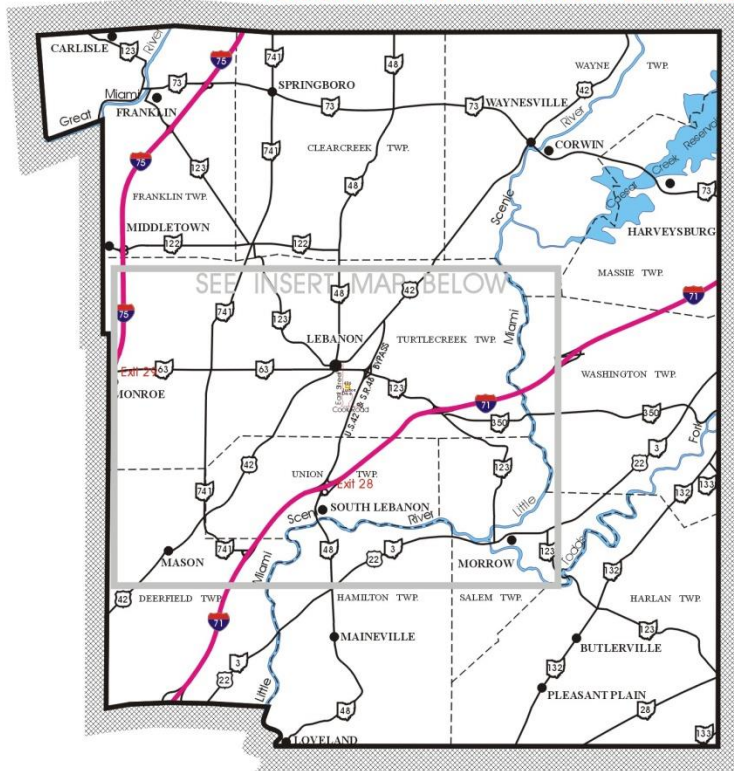


# DIRECTIONS FROM INTERSTATE HIGHWAYS 71 & 75 TO WARREN COUNTY, OHIO

## COUNTY ADMINISTRATION BUILDING



### TRI-STATE REGION COUNTIES

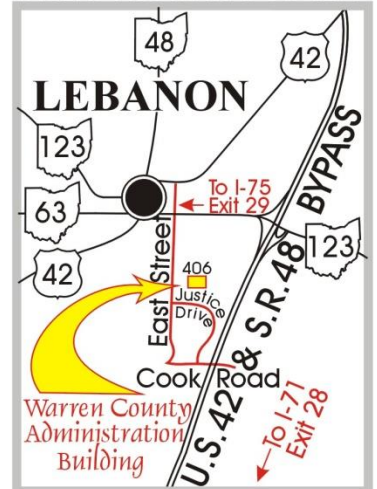


- FROM INTERSTATE 75:**
- Take Monroe / Lebanon Exit 29,
  - Head East on S. R. 63 into Lebanon,
  - Turn right onto East Street,
  - Turn left onto Justice Drive,
  - Turn left into parking lot,
  - At first driveway on left.
- FROM INTERSTATE 71:**
- Take Lebanon / South Lebanon Exit 28,
  - Head North on U. S. 42 / S. R. 48 Bypass,
  - Turn left onto Cook Road at traffic light,
  - Turn at first right onto Justice Drive,
  - Turn right at first street on right,
  - Then left into parking lot at first left.

INSERT FROM ABOVE MAP



INSERT FROM MAP AT LEFT



Map Prepared By: Warren County Regional Planning Commission

***SECTION B***

***GENERAL INSTRUCTIONS TO BIDDERS***



## GENERAL INSTRUCTIONS TO BIDDERS

1. **Receipt and Opening of Bids:** The Warren County Board of Commissioners (herein referred to as "Owner"), invites bids on the form attached hereto, all blanks of which must be appropriately filled in. Bids will be received by the Owner at the Office of the Warren County Board of Commissioners until 9:30 a.m., January 23, 2024, and then at said office publicly opened and read aloud. The envelopes containing the bids must be sealed, addressed to Warren County Board of Commissioners at 406 Justice Drive, Lebanon, Ohio 45036. Bids shall be submitted in a sealed envelope clearly marked "**Bid Opening – Roachester – Cozaddale Road Bridge #52-4.02 Rehabilitation Project.**"

The Owner may consider informal any bid not prepared and submitted in accordance with the provisions hereof and may waive any informalities or reject any and all bids. Any bid may be withdrawn prior to the above scheduled time for the opening of bids or authorized postponement thereof. Any bid received after the time and date specified shall not be considered. No bidder may withdraw a bid within 60 days after the actual date of the opening thereof.

2. **Withdraw of Bid:** A Bidder may withdraw his bid from consideration if the price bid was substantially lower than the other bids, provided the bid was submitted in good faith and the reason for the price being substantially lower was a clerical mistake as opposed to a judgment mistake and was actually due to an unintentional omission of a substantial quantity of work, labor or material made directly in the compilation of the bid. Request to withdraw such bid must be made in writing and filed with the Owner within two business days after the opening of bids and prior to the acceptance thereof.
3. **Preparation of Bid:** Each bid must be submitted on the prescribed form and such documents as hereunder described. All blank spaces for bid prices must be filled in, in ink or typewritten, in both words and figures, and the foregoing certifications must be fully completed and executed when submitted.
4. **Method of Bidding:** The Owner invites the following bid(s):

### **Roachester – Cozaddale Road Bridge #52-4.02 Rehabilitation Project**

Bids shall be submitted at the time and place indicated in the Invitation to Bidder and shall be included in a sealed envelope, marked with the project title and name and address of the bidder and accompanied by the bid security and other required documents.

Bids may be modified or withdrawn by an appropriate document duly executed (in the manner that a bid must be executed) and delivered to the place where bids are to be submitted at any time prior to the opening of bids.

The Owner invites unit price bids for the construction described in the plans and specifications. These unit prices shall be extended by estimated quantities to develop a total price for the project.

If the total price received from the lowest and best bidder exceeds the amount of funds available to finance the contract, the Owner may:

- a. Reject all bids;
- b. Augment the funds available in an amount sufficient to enable award to the lowest and best bidder;
- c. Reduce the scope of work by eliminating certain items of work to produce a total bid which is within available funds;

- d. Reduce the scope of work by reducing the quantity of certain items of work to produce a total bid which is within available funds;
- e. Reduce the scope of work by a combination of adjustments as outlined in "c" and "d" above to produce a total bid which is within available funds.
- f. The Owner may reject all bids or may award the contract on the base bid or on the base bid combined with additions or deductible alternates as produces a net amount which is within the available funds.
- g. The Owner may consider informal and may reject any bid not prepared and submitted in accordance with the provisions hereof. The Owner reserves the right to reject all bids, to waive any informalities or irregularities in the bids received, and to accept any bid which is deemed lowest and best.
5. **Qualification of Bidder:** The Owner may make such investigations as he/she deems necessary to determine the ability of the bidder to perform the work, and the bidder shall furnish to the Owner all such information and data for this purpose as the Owner may request. The Owner reserves the right to reject any bid if the evidence submitted by, or investigation of, such bidder fails to satisfy the Owner that such bidder is properly qualified to carry out the obligations of the contract and to complete the work contemplated therein; conditional bids will not be accepted.
6. **Bid Security:** Each bid must be accompanied by cash, certified check of the bidder, letter of credit equal to ten (10) percent of the bid, or a bid bond prepared on the form of bid bond attached hereto, duly executed by the bidder as principal and having as surety thereon a surety company approved by the Owner. (See Invitation to Bidders for required amounts) Such cash, checks or bid bonds will be returned to bidders after the Owner has awarded the bid and has executed the contract, or, if no award has been made within 60 days after the date of the opening of bids, upon demand of the bidder at any time thereafter, so long as he/she has not been notified of the acceptance of his/her bid.
7. **Liquidated Damages for Failure to Enter into Contract:** Submission of a bid shall be a representation by the Contractor that it has fully reviewed and is familiar with the Contract and all contract documents as defined in the contract and will execute the contract if awarded the bid. The successful bidder, upon his/her failure or refusal to execute and deliver the Contract (attached hereto) and required bonds within 10 days after he/she has received notice of the acceptance of his/her bid, shall forfeit to the Owner, as liquidated damages for such failure or refusal, the security deposited with his/her bid.
8. **Time of Completion and Liquidated Damages:** Bidder must agree to commence work on or before a date to be specified in a written "Notice to Proceed" of the Owner and to fully complete the project within 12 weeks after the written notice to proceed has been issue and a pre-construction meeting has been held. The completion date may be extended in the event of adverse weather conditions. Bidder must agree also to pay as liquidated damaged the sum of \$400.00 for each consecutive calendar day thereafter.
9. **NO DAMAGE FOR DELAY:** No payment, compensation or adjustment of any kind shall be made to the contract price for damages incurred by the contractor because of hindrances or delays in the progress of the work from any cause that is not proximately caused by the Owner's action or failure to act. Whether such hindrances or delays are avoidable or unavoidable, the contractor agrees that he or she will make no claim for compensation, damages or mitigation of liquidated damages for any such delays. Examples of delays include (but are in no manner limited to)

obtaining all necessary permission from any government agency or any private party, any act or failure to act by any other contractor, subcontractor and/or supplier, all foreseen and unforeseen events and any conditions or act of God. It is understood and agreed that the contractor assumes all risks of delays in prosecuting or completing the work under the contract that are not proximately caused by the Owner's action or failure to act. The contractor will accept in full satisfaction for such delays, an extension of time, if any, agreed to by the Owner.

10. **Conditions of Work:** Each bidder must inform him/herself fully of the conditions relating to the construction of the project and the employment of labor thereon. Failure to do so will not relieve a successful bidder of his/her obligation to furnish all material and labor necessary to carry out the provisions of his/her contract. Insofar as possible the contractor, in carrying out the work, must employ such methods or means or will not cause any interruption of or interference with the work of any other contractor.
11. **Addenda and Interpretations:** No interpretation of the meaning of the plans, specifications or other pre-bid documents will be made to any bidder orally. Every request for such interpretation must be in writing and addressed to: Roy Henson, Warren County Engineer's Office, 210 West Main Street, Lebanon, Ohio, 45036, and to be given consideration must be received at least five days prior to the date fixed for the opening of bids. All such interpretations and any supplemental instructions will be in the form of written addenda to the specifications which, if issued, will be mailed by certified mail with return receipt requested to all prospective bidders (at the respective addresses furnished for such purposes), no later than three days prior to the date fixed for the opening of bids. Failure of any bidder to receive any such addendum or interpretations shall not relieve such bidder from any obligation under his/her bid as submitted. All addenda so issued shall become part of the contract documents.
12. **Security for Faithful Performance:** Simultaneously with the delivery of the executed Contract, the Contractor shall furnish payment and performance bonds as security for faithful performance of this contract and for the payment of all subcontracts, suppliers and laborers performing labor on the project under the Contract and furnishing materials in connection with the Contract.  
  
The surety on such bond or bonds shall be a duly authorized surety company satisfactory to the Owner. Please note that upon execution of the Contract if a Bid Guaranty/Contract Bond was submitted with your original bid a Performance Bond will not be required.
13. **Power of Attorney:** Attorneys-in-fact who sign bid bonds or contract bonds must file with each bond a certified and effectively dated copy of their power of attorney.
14. **Laws and Regulations:** The bidder's attention is directed to the fact that all applicable State laws, municipal ordinances, and the rules and regulations of all authorities having jurisdiction over construction of the project shall apply to the contract throughout, and they will be deemed to be included in the contract the same as though herein written out in full.
15. **Method of Award - Lowest Qualified Bidder:** The Owner may reject all bids or may award the contract on the base bid or on the base bid combined with additions or deductible alternates as produces a net amount which is within the available funds.
16. **Obligation of Bidder:** At the time of the opening of bids each bidder will be presumed to have inspected the site and to have read and to be thoroughly familiar with the plans and contract documents (including all addenda). The failure or omission of any bidder to examine any form, instrument or document shall in no way relieve any bidder from any obligation in respect of his/her bid.

17. **Safety Standards and Accident Prevention:** With respect to all work performed under this contract, the Contractor shall:
- a. Comply with the safety standards provisions of applicable laws, building and construction codes and the "Manual of Accident Prevention in Construction" published by the Associated General Contractors of America, the requirements of the Occupational Safety and Health Act of 1970 (Public Law 91-596), and the requirements of title 29 of the code of Federal Regulations, Section 1518 as published in the "Federal Register", Volume 36, N. 75, Saturday, April 17, 1971.
  - b. Exercise every precaution at all times for the prevention of accidents and the protection of persons (including employees) and property.
  - c. Maintain at his/her office or other well-known place at the job site, all articles necessary for giving first aid to the injured and shall make standing arrangements for the immediate removal to a hospital or doctor's care of persons (including employees) who may be injured at the job site. In no case shall employees be permitted to work at a job site before the employer has made a standing arrangement for removal of injured persons to a hospital or a doctor's care.
18. **Examination of Site:** Each bidder shall and is hereby directed to inspect the entire site of the proposed work and judge for him/herself as to all the circumstances affecting the cost and progress of the work and shall assume all patent and latent risks in connection therewith.
19. **Soil Conditions:** Subject to the convenience of the Owner, prospective bidders will be permitted to explore the site by making borings or digging test pits. In such event, the work shall be done at the sole expense and risk of the bidder, and he/she shall maintain and restore the site to original condition. The Owner does not guarantee the accuracy of any information or samples which it may have obtained from test borings or otherwise as to the kind or condition of the soil that may be encountered in the prosecution of the proposed work, neither does the Owner represent that the plans and specifications drawn are based upon any data so obtained. The Owner does not make any representation as to the soil which may be encountered or of soil or water which underlies the work or is adjacent thereto, including any difficulties that may be due to quicksand, or other unfavorable conditions that may be encountered in the work, whether apparent upon surface inspection or disclosed in the process of carrying forward the work.
20. **Water Supply:** All water for construction purposes, as well as the expense of having water conveyed about the work, must be provided by the Contractor and the cost of this work shall be included in the unit prices stipulated for the various items of the work to be done under this contract.
21. **Working Facilities:** The plans show, in the general manner, the existing structures and the land available for construction purposes. The bidders must satisfy themselves of the conditions and difficulties that may be encountered in the execution of the work at this site.
22. **Permits:** The Contractor shall take out all necessary permits from the proper authorities and shall give all notices required by law or ordinance. The charge or fee for any permit issued by the proper authority shall be borne by the contractor.
23. **Signature of Bidders:** The firm, corporate or individual name of the bidder must be signed in ink in the space provided for the signatures on the proposed blanks. In the case of a corporation, the title of the officer signing must be stated and such officer must be thereunto duly authorized and the seal of said corporation duly affixed. In the case of a partnership, the signature of at least one of the partners must follow the firm name, using the term "member of the firm." In the case of an individual, use the

terms "doing business as", or "sole owner." The bidder shall further state in his/her proposal the name and address of each person or corporation interested therein.

24. **Right to Accept or Reject Proposals:** The Owner may consider informal and may reject any bid not prepared and submitted in accordance with the provisions hereof. The Owner reserves the right to reject all bids, to waive any informalities or irregularities in the bids received, and to accept any bid which is deemed lowest and best.
25. **Non-Collusion Affidavit:** The successful bidder will be required to submit a non-collusion affidavit on the form included in these Bid/Contract documents (Section C). This affidavit shall be dated and executed as part of this bid.
26. **EEO Compliance:** Bidders, please see Section J for EEO Compliance Requirements and Affidavit.
27. **Prevailing Wage Rates:** In the event that the rate of wages paid for any trade or occupant in the locality where such work is being performed are under current collective agreements or understandings between bona fide organizations of labor and employer, then the wages to be paid shall be not less than such agreed wage rates, nor less than the minimum rates compiled by the Federal Labor Standard Act. A copy of these prevailing wage rates has been included in these specifications as Exhibit L. Every Contractor and Subcontractor who is subject to Ohio Revised Code, Chapter 4115 shall, as soon as he/she begins performance under his/her contract with the Owner, supply the Prevailing Wage Coordinator for the Owner a schedule of the dates on which he/she is required to pay wages to employees. He/She shall also deliver to the Prevailing Wage Coordinator within three weeks after each pay date, a certified copy of his/her payroll which shall exhibit for each employee paid any wages, name, current address, social security number, number of hours worked each day of the pay period and the total for each week, hourly rate of pay, job classification, fringe payments, and deductions from wages. The certification of each payroll shall be executed by the Contractor, Subcontractor, or duly appointed agent thereof and shall recite that the payroll is correct and complete and that the wage rate shown is not less than those required by the contract.

In case the Owner orders the Contractor to perform extra or additional work which may make it necessary for the Contractor or any Subcontractor under this contract to employ a person not herein specified, the Owner will include in the contract change order for such extra or additional work, a minimum wage rate for such trade or occupation, and insofar as such extra or additional work is concerned, there shall be paid to each employee engaged in work of such trade or occupation, not less than the wage so included. Insofar as possible, local labor shall be employed on this work.

28. **Subletting of Contract:** The Contractor shall not sublet, sell, transfer or assign any portion of the contract without written consent of the Owner or his/her designated agent. When such consent is given, the Contractor will be permitted to sublet a portion thereof, but shall perform with his/her own organization, work amounting to no less than fifty percent of the total contract cost, except that any time designated in the contract before computing the amount of work required to be performed by the Contractor with his/her own organization, No subcontract, or transfer of contract, shall in any way release the Contractor of his/her liability under the contract and bonds.
29. **Required Insurance:** In accordance with the specifications, the Contractor, without restricting the obligations and liabilities assumed under the Contract Documents, shall at his/her own cost and expense purchase and maintaining in force until final acceptance of his/her work, the forms of insurance coverage listed below.

Certificates from the insurance carrier stating the limits of liability and expiration date shall be filed with the Owner before operations are begun. Such certificates shall not merely name the types of policy provided but **shall specifically refer to this Contract** and shall name the Board of Warren County Commissioners as

additionally insured. However, the original policy for Owner's Protective Bodily Injury (Item F) and Property Damages (Item G) shall at this time be delivered to the Owner for its possession.

All policies as hereinafter required shall be so written that the Owner will be notified of cancellation or restrictive amendment at least ten days prior to the effective date of such cancellation or amendment.

Item A - Workmen's Compensation and/or Employer's liability Insurance as required or specified by State Law.

Item B - Contractor's Direct and Completed Operations Bodily Injury Liability Insurance.

Item C - Contractor's direct and Completed Operations Property Damage Liability Insurance.

Item D - Contractor's Protective Bodily Injury Liability Insurance.

Item E - Contractor's Protective Damage Liability Insurance.

Item F - Owner's Protective Bodily Injury Liability Insurance, naming the Owner as insured.

Item G - Owner's Protective Property Damage Liability Insurance, naming the Owner as insured.

Item H - Bodily Injury Liability Insurance covering motor vehicles either owned by the Contractor or being used in connection with the prosecution of the work embraced under this contract.

Item I - Property Damage Liability Insurance covering motor vehicles either owned by the Contractor or being used in connection with the prosecution of the work embraced under this contract.

Item J - (Where Applicable) Such Protective (including Railroad Protective) and Contractual Bodily Injury Liability Insurance and such Protective (including Railroad Protective) and Contractual Property Damage Liability Insurance as shall be required by the railroad and other utility companies whose property, facilities or rights-of-way may be affected by the work to be done under this contract, in such amounts and in such form as each such utility company may require.

If any part of the work is sublet, insurance of the same types and limits as required by above items numbered A, B, C, D, E, H, and I shall be provided by or on behalf of the Subcontractors to cover that part of the work they have contracted to perform including Property Damage Liability Special Hazards coverage if so required by this contract.

Protective and Contractual Bodily Injury Liability Insurance required by Item J (where applicable) shall be in an amount and form as each railroad or utility company may require.

All Bodily Injury coverage (Items B, D, F, and H) shall be broadened by the inclusion of the terms "occurrence" in lieu of "caused by accident."

In addition to the Contractor's Direct Bodily Injury Liability Insurance (Item B) and the Contractor's Direct Property Damage Liability Insurance (Item C), the Contractor shall also provide Completed Operations Bodily Injury Liability Insurance and Completed Operations Property Damage Liability Insurance for the same amounts as provided for Item B and C during the period of one (1) year after the final acceptance date shall be the date the final estimate is paid to the Contractors. Performance Bond includes material and workmanship for 12 months after completion.

Vendor shall carry Commercial General Liability Insurance coverage. General Aggregate Limit Products – Completed Operations shall be \$2,000,000 Per Occurrence; \$2,000,000 Aggregate Limit, with no

interruption of coverage during the entire term of this Agreement; \$1,000,000 Personal and Advertising Injury Limit; Each Occurrence Limit shall be \$1,000,000. Vendor shall obtain Explosion, Collapse, and Underground (XCU) coverage at the same limits as the commercial general liability insurance policy. Vendor shall also carry Comprehensive Automobile Liability Insurance for owned, non-owned, and hired vehicles. Bodily Injury and Property Damage Liability Limit shall be \$1,000,000 for each occurrence.

Vendor further agrees that if any Comprehensive General Liability or Professional Liability coverage is on a "claims made" basis, the policy provide that in the event this Agreement is terminated, Vendor shall continue such policy in effect for the period of any statute or statutes of limitation applicable to claims thereby insured, notwithstanding the termination of the Agreement.

By endorsement to the Comprehensive General Liability or Professional Liability coverage, Warren County shall be named as an additional insured with the same primary coverage as the principal insured – no policy of Comprehensive General Liability or Professional Liability coverage that provides only excess coverage for an additional insured is permitted.

Vendor shall provide Warren County with a certificate of insurance evidencing such coverage and conditions set forth herein and shall provide thirty (30) days' notice of cancellation or non-renewal to Warren County. Such certificates shall provide that the insurer notify Vendee in writing should any of the above-described policies be canceled before the expiration date thereof, to be mailed by the insurer to the Vendee not less than 30 days prior to said cancellation date. Vendor shall also deliver to Lessor, at least 15 days prior to the expiration date of each policy or policies (or of any renewal policy or policies), certificates for the renewal policies of the insurance coverage required herein.

CONSULTANT shall carry statutory worker's compensation insurance as required by law and shall provide CLIENT with certificates of insurance evidencing such coverage simultaneous with the execution of this Agreement

Cancellation or non-renewal of insurance shall be grounds to terminate this Agreement.

Vendor shall carry Builders Risk Insurance and all risk form, including subsidence and theft of materials from the job site. Such coverage shall be maintained until final acceptance of the Contract by the Owner and payable to the Owner for the benefit of the contractor. The limit for Builders Risk shall be the full value of construction.

30. **Maintenance of Rights-Of-Way:** All construction as proposed along all City, Township, County, State and Federal roads including storage and stockpiling of materials, is to be conducted within the limits of the public right-of-way. Bracing sheeting and shoring shall be used to keep all construction work within the construction limits unless work agreements are secured from the adjacent property Owners. It is the Contractor's responsibility to secure these work agreements, if deemed necessary. Copies of the work agreements shall be delivered to the Engineer and Owner prior to any work beginning on the affected property.
31. **Lights, Signs and Barricades:** Lights, signs and barricades shall be used to maintain traffic and safety for vehicular and pedestrian traffic during the course of this contract and shall be the sole responsibility of the Contractor.
32. **Foreign Corporation and Contractors:**

*Foreign Corporations*

Definition: "Foreign Corporation" means a corporation incorporated under the laws of another state. No contract shall be entered into with a foreign corporation until the Secretary of State has certified that such corporation is authorized to do business in Ohio: and until, if the bidder so awarded the Contract is a person or partnership, it has filed with the Secretary of State a Power of Attorney designating the Secretary of State as its agent for the purpose of accepting service of summons in any action brought under Ohio Revised Code, Section 153.05 or under Sections 4123.01 to 4123.94, inclusive.

33. **Subcontracts:** Contractor shall provide an explanation as part of its bid package of all subcontractors intended to be used in performance of the work described in Part II., Section D. In the event the Owner does not object, Contractor may have such work performed by a subcontractor. Contractor shall bind every subcontractor to, and every subcontractor must agree to be bound by the terms of, the Contract, as far as applicable to the subcontractor's work particularly pertaining to Prevailing Wages and EEO requirements. Nothing contained in the Agreement shall create any contractual relationship between any subcontractors and Owner, nor create any obligations on the part of the Owner to pay or see to the payment of any sums to any subcontractor.
34. **Real and/or Personal Property Tax Affidavit:** All bidders must complete the Real and/or Personal property tax affidavit (Section I) and submit with your bid. **This section should be fully completed whether or not you as a vendor/contractor own property in Warren County, Ohio.**
35. **Description of Project:**  
  
See Section M
36. **Scope of Work:** Provide all work as required by Contract and described in the Specifications herein (Section M) as necessary to provide for project completion.
37. **Required Forms:** Each Bidder shall complete and submit the following forms with his/her bid:  
  
Proposal Price (Bid) Sheet  
Exception Sheet  
Bidder Identification  
Non-Collusion Affidavit  
Bid Guaranty & Contract Bond  
Experience Statement  
Affidavit of Non-Delinquency of Taxes  
Certificate of Compliance Non-Discrimination and Equal Employment Opportunity Affidavit  
Findings for Recovery Affidavit
38. The successful Contractor may be required, at the request of the Owner, to submit a list of subcontractors and suppliers for said project.
39. **Additional Obligations Upon Contact Award:** Upon award of the bid but prior to execution of the Contract and Notice to Proceed, the Contractor shall submit all of the following documents, completed as required:  
  
1) Contract  
2) Required Bonds  
3) Payment Draw Schedule (Required for Projects of \$500,000 or more)  
4) Certificates of Insurance



40. *Entire bid packet must be completed (except contract – Section F) and returned with bid proposal, as the entire bid packet becomes part of the contract documents.*
41. **STATEMENT: Do not submit confidential documents or documents of any type that contain trade secrets. All materials submitted become public records once opened and may be copied upon request to anybody including competitive bidders.**



## CERTIFICATE OF LIABILITY INSURANCE

DATE (MM/DD/YYYY)

THIS CERTIFICATE IS ISSUED AS A MATTER OF INFORMATION ONLY AND CONFERS NO RIGHTS UPON THE CERTIFICATE HOLDER. THIS CERTIFICATE DOES NOT AFFIRMATIVELY OR NEGATIVELY AMEND, EXTEND OR ALTER THE COVERAGE AFFORDED BY THE POLICIES BELOW. THIS CERTIFICATE OF INSURANCE DOES NOT CONSTITUTE A CONTRACT BETWEEN THE ISSUING INSURER(S), AUTHORIZED REPRESENTATIVE OR PRODUCER, AND THE CERTIFICATE HOLDER.

**IMPORTANT:** If the certificate holder is an ADDITIONAL INSURED, the policy(ies) must be endorsed. If SUBROGATION IS WAIVED, subject to the terms and conditions of the policy, certain policies may require an endorsement. A statement on this certificate does not confer rights to the certificate holder in lieu of such endorsement(s).

PRODUCER Insurance Agency Name & Address	CONTACT NAME: Insurance Agent Contact PHONE (A/C, No, Ext): _____ FAX (A/C, No): _____ E-MAIL ADDRESS: _____ INSURER(S) AFFORDING COVERAGE NAIC # INSURER A: Insurance Company A INSURER B: Insurance Company B INSURER C: Insurance Company C INSURER D: Insurance Company D INSURER E: Insurance Company E INSURER F: Insurance Company F
INSURED Contractors Name & Address	

**COVERAGES**                      **CERTIFICATE NUMBER:**                      **REVISION NUMBER:**

THIS IS TO CERTIFY THAT THE POLICIES OF INSURANCE LISTED BELOW HAVE BEEN ISSUED TO THE INSURED NAMED ABOVE FOR THE POLICY PERIOD INDICATED. NOTWITHSTANDING ANY REQUIREMENT, TERM OR CONDITION OF ANY CONTRACT OR OTHER DOCUMENT WITH RESPECT TO WHICH THIS CERTIFICATE MAY BE ISSUED OR MAY PERTAIN, THE INSURANCE AFFORDED BY THE POLICIES DESCRIBED HEREIN IS SUBJECT TO ALL THE TERMS, EXCLUSIONS AND CONDITIONS OF SUCH POLICIES. LIMITS SHOWN MAY HAVE BEEN REDUCED BY PAID CLAIMS.

INSR LTR	TYPE OF INSURANCE	ADDL INSD	SUBR WVD	POLICY NUMBER	POLICY EFF (MM/DD/YYYY)	POLICY EXP (MM/DD/YYYY)	LIMITS
A	<input checked="" type="checkbox"/> COMMERCIAL GENERAL LIABILITY <input type="checkbox"/> CLAIMS-MADE <input checked="" type="checkbox"/> OCCUR  GEN'L AGGREGATE LIMIT APPLIES PER: <input type="checkbox"/> POLICY <input checked="" type="checkbox"/> PRO-JECT <input type="checkbox"/> LOC OTHER: _____	X	X	POLICY #	EFF DATE	EXP DATE	EACH OCCURRENCE \$ 1,000,000 DAMAGE TO RENTED PREMISES (Ea occurrence) \$ 100,000 MED EXP (Any one person) \$ 5,000 PERSONAL & ADV INJURY \$ 1,000,000 GENERAL AGGREGATE \$ 2,000,000 PRODUCTS - COMP/OP AGG \$ 2,000,000 \$
B	AUTOMOBILE LIABILITY <input checked="" type="checkbox"/> ANY AUTO ALL OWNED AUTOS <input type="checkbox"/> SCHEDULED AUTOS NON-OWNED AUTOS <input type="checkbox"/> HIRED AUTOS			POLICY #	EFF DATE	EXP DATE	COMBINED SINGLE LIMIT (Ea accident) \$ 1,000,000 BODILY INJURY (Per person) \$ BODILY INJURY (Per accident) \$ PROPERTY DAMAGE (Per accident) \$ \$
C	<input checked="" type="checkbox"/> UMBRELLA LIAB <input checked="" type="checkbox"/> OCCUR <input type="checkbox"/> EXCESS LIAB <input type="checkbox"/> CLAIMS-MADE DED    RETENTION \$			POLICY #	EFF DATE	EXP DATE	EACH OCCURRENCE \$ 1,000,000 AGGREGATE \$ 1,000,000 \$
	WORKERS COMPENSATION AND EMPLOYERS' LIABILITY ANY PROPRIETOR/PARTNER/EXECUTIVE OFFICER/MEMBER EXCLUDED? (Mandatory in NH) If yes, describe under DESCRIPTION OF OPERATIONS below	Y/N	N/A				PER STATUTE    OTH-ER E.L. EACH ACCIDENT \$ E.L. DISEASE - EA EMPLOYEE \$ E.L. DISEASE - POLICY LIMIT \$

DESCRIPTION OF OPERATIONS / LOCATIONS / VEHICLES (ACORD 101, Additional Remarks Schedule, may be attached if more space is required)  
 Board of Warren County Commissions are listed as additional insureds with respects to the General Liability for ongoing and completed operations as per attached CG 2010 10/01 and CG 2037 10/01. General Liability is primary and non-contributory for the benefit of the additional insured. Waiver of subrogation applies to the General Liability.

<b>CERTIFICATE HOLDER</b> Board of Warren County Commissioners 406 Justice Drive Lebanon, OH 45036	<b>CANCELLATION</b> SHOULD ANY OF THE ABOVE DESCRIBED POLICIES BE CANCELLED BEFORE THE EXPIRATION DATE THEREOF, NOTICE WILL BE DELIVERED IN ACCORDANCE WITH THE POLICY PROVISIONS.  AUTHORIZED REPRESENTATIVE  INSURANCE AGENTS SIGNATURE
---	--

POLICY NUMBER:

COMMERCIAL GENERAL LIABILITY  
CG 20 10 10 01

THIS ENDORSEMENT CHANGES THE POLICY. PLEASE READ IT CAREFULLY.

**ADDITIONAL INSURED – OWNERS, LESSEES OR  
CONTRACTORS – SCHEDULED PERSON OR  
ORGANIZATION**

This endorsement modifies insurance provided under the following:

COMMERCIAL GENERAL LIABILITY COVERAGE PART

**SCHEDULE**

**Name of Person or Organization:**

Board of Warren County Commissioners  
406 Justice Drive, Lebanon, OH 45036

(If no entry appears above, information required to complete this endorsement will be shown in the Declarations as applicable to this endorsement.)

**A. Section II – Who Is An Insured** is amended to include as an insured the person or organization shown in the Schedule, but only with respect to liability arising out of your ongoing operations performed for that insured.

**B.** With respect to the insurance afforded to these additional insureds, the following exclusion is added:

**2. Exclusions**

This insurance does not apply to "bodily injury" or "property damage" occurring after:

- (1) All work, including materials, parts or equipment furnished in connection with such work, on the project (other than service, maintenance or repairs) to be performed by or on behalf of the additional insured(s) at the site of the covered operations has been completed; or
- (2) That portion of "your work" out of which the injury or damage arises has been put to its intended use by any person or organization other than another contractor or subcontractor engaged in performing operations for a principal as a part of the same project.

POLICY NUMBER:

COMMERCIAL GENERAL LIABILITY  
CG 20 37 10 01

THIS ENDORSEMENT CHANGES THE POLICY. PLEASE READ IT CAREFULLY.

## ADDITIONAL INSURED – OWNERS, LESSEES OR CONTRACTORS – COMPLETED OPERATIONS

This endorsement modifies insurance provided under the following:

COMMERCIAL GENERAL LIABILITY COVERAGE PART

### SCHEDULE

<b>Name of Person or Organization:</b> Board of Warren County Commissioners 406 Justice Drive Lebanon, OH 45036
<b>Location And Description of Completed Operations:</b>  
<b>Additional Premium:</b>  

(If no entry appears above, information required to complete this endorsement will be shown in the Declarations as applicable to this endorsement.)

**Section II – Who Is An Insured** is amended to include as an insured the person or organization shown in the Schedule, but only with respect to liability arising out of "your work" at the location designated and described in the schedule of this endorsement performed for that insured and included in the "products-completed operations hazard".

POLICY NUMBER:

COMMERCIAL GENERAL LIABILITY  
CG 25 03 03 97

THIS ENDORSEMENT CHANGES THE POLICY. PLEASE READ IT CAREFULLY.

## DESIGNATED CONSTRUCTION PROJECT(S) GENERAL AGGREGATE LIMIT

This endorsement modifies insurance provided under the following:

COMMERCIAL GENERAL LIABILITY COVERAGE PART

### SCHEDULE

Designated Construction Projects:

(If no entry appears above, information required to complete this endorsement will be shown in the Declarations as applicable to this endorsement.)

- A.** For all sums which the insured becomes legally obligated to pay as damages caused by "occurrences" under COVERAGE A (SECTION I), and for all medical expenses caused by accidents under COVERAGE C (SECTION I), which can be attributed only to ongoing operations at a single designated construction project shown in the Schedule above:
1. A separate Designated Construction Project General Aggregate Limit applies to each designated construction project, and that limit is equal to the amount of the General Aggregate Limit shown in the Declarations.
  2. The Designated Construction Project General Aggregate Limit is the most we will pay for the sum of all damages under COVERAGE A, except damages because of "bodily injury" or "property damage" included in the "products-completed operations hazard", and for medical expenses under COVERAGE C regardless of the number of:
    - a. Insureds;
    - b. Claims made or "suits" brought; or
    - c. Persons or organizations making claims or bringing "suits".
  3. Any payments made under COVERAGE A for damages or under COVERAGE C for medical expenses shall reduce the Designated Construction Project General Aggregate Limit for that designated construction project. Such payments shall not reduce the General Aggregate Limit shown in the Declarations nor shall they reduce any other Designated Construction Project General Aggregate Limit for any other designated construction project shown in the Schedule above.
- 4.** The limits shown in the Declarations for Each Occurrence, Fire Damage and Medical Expense continue to apply. However, instead of being subject to the General Aggregate Limit shown in the Declarations, such limits will be subject to the applicable Designated Construction Project General Aggregate Limit.
- B.** For all sums which the insured becomes legally obligated to pay as damages caused by "occurrences" under COVERAGE A (SECTION I), and for all medical expenses caused by accidents under COVERAGE C (SECTION I), which cannot be attributed only to ongoing operations at a single designated construction project shown in the Schedule above:
1. Any payments made under COVERAGE A for damages or under COVERAGE C for medical expenses shall reduce the amount available under the General Aggregate Limit or the Products-Completed Operations Aggregate Limit, whichever is applicable; and
  2. Such payments shall not reduce any Designated Construction Project General Aggregate Limit.
- C.** When coverage for liability arising out of the "products-completed operations hazard" is provided, any payments for damages because of "bodily injury" or "property damage" included in the "products-completed operations hazard" will reduce the Products-Completed Operations Aggregate Limit, and not reduce the General Aggregate Limit nor the Designated Construction Project General Aggregate Limit.

**\*\*SAMPLE\*\***

D. If the applicable designated construction project has been abandoned, delayed, or abandoned and then restarted, or if the authorized contracting parties deviate from plans, blueprints, designs, specifications or timetables, the project will still be deemed to be the same construction project.

E. The provisions of Limits Of Insurance (SECTION III) not otherwise modified by this endorsement shall continue to apply as stipulated.

***SECTION C***

***NON-COLLUSION AFFIDAVIT***

AFFIDAVIT OF NON-COLLUSION

STATE OF \_\_\_\_\_  
COUNTY OF \_\_\_\_\_

I, \_\_\_\_\_, holding the title and position of \_\_\_\_\_ at the firm \_\_\_\_\_, affirm that I am authorized to speak on behalf of the company, board directors and owners in setting the price on the contract, bid or proposal. I understand that any misstatements in the following information will be treated as fraudulent concealment of true facts on the submission of the contract, bid or proposal.

I hereby swear and depose that the following statements are true and factual to the best of my knowledge:

The contract, bid or proposal is genuine and not made on the behalf of any other person, company or client, INCLUDING ANY MEMBER OF THE WARREN COUNTY BOARD OF COMMISSIONERS.

The price of the contract, bid or proposal was determined independent of outside consultation and was not influenced by other companies, clients or contractors, INCLUDING ANY MEMBER OF THE WARREN COUNTY BOARD OF COMMISSIONERS.

No companies, clients or contractors, INCLUDING ANY MEMBER OF THE WARREN COUNTY BOARD OF COMMISSIONERS have been solicited to propose a fake contract, bid or proposal for comparative purposes.

No companies, clients or contractors, INCLUDING ANY MEMBER OF THE WARREN COUNTY BOARD OF COMMISSIONERS have been solicited to refrain from bidding or to submit any form of noncompetitive bidding.

Relative to sealed bids, the price of the bid or proposal has not been disclosed to any client, company or contractor, INCLUDING ANY MEMBER OF THE WARREN COUNTY BOARD OF COMMISSIONERS, and will not be disclosed until the formal bid/proposal opening date.

\_\_\_\_\_  
AFFIANT

Subscribed and sworn to before me this \_\_\_\_\_ day of \_\_\_\_\_ 20 \_\_\_\_\_

\_\_\_\_\_  
(Notary Public),

\_\_\_\_\_ County.

My commission expires \_\_\_\_\_ 20 \_\_\_\_\_



***SECTION D***

***BID GUARANTY AND CONTRACT BOND***

**BID GUARANTY AND CONTRACT BOND**

**KNOW ALL MEN BY THESE PRESENTS, that we, the undersigned,**

\_\_\_\_\_

(Insert full name or legal title of Contractor and Address)

as Principal and \_\_\_\_\_

(Insert full name or legal title of Surety)

as Surety, are hereby held and firmly bound unto the Warren County Board of Commissioners and the Ohio Department of Transportation and hereinafter called the Oblige, in the penal sum of the dollar amount of the bid submitted by the Principal to the Oblige on \_\_\_\_\_ to undertake the project known as:

**Roachester – Cozaddale Road Bridge #52-4.02 Rehabilitation Project**

The penal sum referred to herein shall be the dollar amount of the Principal's bid to the Oblige, incorporating any additive or deductive alternate proposals made by the Principal on the date referred to above to the Oblige, which are accepted by the Oblige, In no case shall the penal sum exceed the amount of \_\_\_\_\_ DOLLARS, \$\_\_\_\_\_.

If this item is left blank, the penal sum will be the full amount of the Principal's bid, including alternates. Alternatively, if completed, the amount stated must not be less than the full amount of the bid, including alternates in dollars and cents. A percentage is not acceptable.

For the payment of the penal sum well and truly to be made we hereby jointly and severally bind ourselves, our heirs, executors, administrators, successors, and assigns.

**THE CONDITION OF THE ABOVE OBLIGATION IS SUCH,** that whereas the above-named Principal has submitted a bid on the above referred to project;

**NOW, THEREFORE,** if the Oblige accepts the bid of the Principal and the Principal fails to enter into a proper contract in accordance with the bid, plans, details, specifications, and bills of material; and in the event the Principal pays to the Oblige the difference not to exceed ten percent of the penalty hereof between the amount specified in the bid and such larger amount for which the Oblige may in good faith contract with the next lowest bidder to perform the work covered by the bid; or in the event the Oblige does not award the contract to the next lowest bidder and resubmits the project for bidding, the Principal will pay the Oblige the difference not to exceed ten percent of the penalty hereof between the amount specified in the bid, or the costs, in connection with the resubmission, of printing new contract documents, required advertising, and printing and mailing notices to prospective bidders, whichever is less, then this obligation shall be null and void, otherwise to remain in full force and effect. If the Oblige accepts the bid of the Principal and within TEN days after the awarding of the contract, enters into a proper contract in accordance with the bid, plans, details, specifications, and bills of material, which said contract is made a part of this bond the same as though set forth herein; and

**IF THE SAID PRINCIPAL SHALL** well and faithfully perform each and every condition of such contract; and indemnify the Oblige against all damage suffered by failure to perform such contract according to the provisions thereof and in accordance with the plans, details, specifications, and bills of material therefore; and shall pay all lawful claims of subcontractors, materialmen, and laborers, for labor performed and materials furnished in the carrying forward, performing, or completing of said contract: we agreeing and assenting that this undertaking shall be for benefit of any materialman or laborer having a just claim, as well as for the

Obligee herein; **THEN THIS OBLIGATION SHALL** be void; otherwise the same shall remain in full force and effect; it being expressly understood and agreed that the liability of the Surety for any and all claims hereunder shall in no event exceed the penal amount of this obligation as herein stated.

**THE SAID** surety hereby stipulates and agrees that no modifications, omissions, or additions, in or to the terms of said contract or in or to the plans and specifications therefor shall in any wise affect the obligations of said surety on its bond, and it does hereby waive notice of any such modifications, omissions or additions to the terms of the contract or to the work or to the specifications.

SIGNED AND SEALED this \_\_\_\_ day of \_\_\_\_\_ 20\_\_.

\_\_\_\_\_  
PRINCIPAL

\_\_\_\_\_  
SURETY

By: \_\_\_\_\_

By: \_\_\_\_\_

Attorney-in-fact

Title: \_\_\_\_\_

Surety Agent's Name and Address:

\_\_\_\_\_  
\_\_\_\_\_  
\_\_\_\_\_

***SECTION E***

***PERFORMANCE BOND***

**PERFORMANCE BOND**

**KNOW ALL MEN BY THESE PRESENTS:** that

\_\_\_\_\_

(Name of Contractor)

\_\_\_\_\_

(Address of Contractor)

a \_\_\_\_\_, hereinafter called  
(Corporation, Partnership or Individual)

Principal, and \_\_\_\_\_

(Name of Surety)

\_\_\_\_\_

(Address of Surety)

hereinafter called Surety, are held and firmly bound unto

WARREN COUNTY, OHIO BOARD OF COMMISSIONERS  
406 Justice Drive  
Lebanon, OH 45036

hereinafter called OWNER, in the penal sum of \_\_\_\_\_ Dollars, \$(\_\_\_\_\_) in lawful money of the United States, for the payment of which sum well and truly to be made, we bind ourselves, successors, and assigns, jointly and severally, firmly by these presents.

**THE CONDITION OF THIS OBLIGATION** is such that whereas, the Principal entered into a certain contract with the OWNER, dated the \_\_\_\_\_ day of \_\_\_\_\_, 20\_\_\_\_, a copy of which is hereto attached and made a part hereof for the construction of:

\_\_\_\_\_  
\_\_\_\_\_  
\_\_\_\_\_  
\_\_\_\_\_

**NOW, THEREFORE,** if the Principal shall well, truly and faithfully perform its duties, all the undertakings, covenants, terms, conditions, and agreements of said contract during the original term thereof, and any extensions thereof which may be granted by the OWNER, with or without notice to the Surety and during the guaranty period(s), and if he/she shall satisfy all claims and demands incurred under such contract, and shall fully indemnify and save harmless the OWNER from all costs and damages which it may suffer by reason of failure to do so, and shall reimburse and repay the OWNER all outlay and expense which the OWNER may incur in making good any default, then this obligation shall be void; otherwise to remain in full force and effect.

**PROVIDED, FURTHER,** that the said surety, for value received, hereby stipulates and agrees that no change, extension of time, alteration or addition of the terms of the contract or the WORK to be performed thereunder or the SPECIFICATIONS accompanying the same shall in any way affect its obligation on this BOND, and it does hereby waive notice of any such change, extension of time, alteration or addition to the terms of the contract or to the WORK or to the SPECIFICATIONS.

**PROVIDED, FURTHER,** that no final settlement between the OWNER and the CONTRACTOR shall abridge the right of any beneficiary hereunder, whose claim may be unsatisfied.

**IN WITNESS WHEREOF,** this instrument is executed in counterparts, each one of which shall be deemed an original, this the \_\_\_\_\_ day of \_\_\_\_\_ 20\_\_.

ATTEST: \_\_\_\_\_  
(Principal)

\_\_\_\_\_  
(SEAL) By \_\_\_\_\_  
\_\_\_\_\_  
\_\_\_\_\_

ATTEST: \_\_\_\_\_  
(SEAL) (Surety)  
\_\_\_\_\_  
\_\_\_\_\_

**IMPORTANT:** Pursuant to Ohio Revised Code §122.87(A) a surety company is defined as, “. . . a company that is authorized by the department of insurance to issue bonds as a surety”.

***SECTION F***

***CONTRACT***

## CONTRACT

**THIS AGREEMENT**, made this \_\_\_\_\_ day of \_\_\_\_\_, 2024, with the Warren County Board of Commissioners, 406 Justice Drive, Lebanon, Ohio hereinafter called "Owner" and **Name, ADDRESS**, doing businesses as (an individual, partner, a corporation) hereinafter called "Contractor."

**WITNESSETH:** That for and in consideration of the payments and agreements hereinafter mentioned, to be made and performed by the Owner, the Contractor hereby agrees with the Owner to commence and complete the construction described as follows:

### **Roachester – Cozaddale Road Bridge #52-4.02 Rehabilitation Project**

hereinafter called the project, for the sum of **\$AMOUNT (AMOUNT TYPED OUT)** and all work in connection therewith, under the terms as stated in the Conditions of the Contract; and as his/her (it's or their) own proper cost and expense furnish all the materials, supplies, machinery, equipment, tools, superintendence, labor insurance, and other accessories and services necessary to complete the said project in accordance with the conditions and prices stated in the Proposal, Conditions of the Contract, the Specifications and Contract Documents. "Contract Documents" means and includes the following:

- Proposal Price (Bid) Sheet
- Exception Sheet
- Bidder Identification
- A) Invitation to Bidders
- B) General Instruction to Bidders
- C) Non-collusion Affidavit
- D) Bid Guaranty & Contract Bond
- E) Performance Bond
- F) Contract
- G) Bonding & Insurance Requirements
- H) Experience Statement
- I) Affidavit of Non-Delinquency of Real and/or Personal Property Tax
- J) Equal Employment Opportunity Requirements, Bid Conditions and Non-discrimination and Equal Employment Opportunity Affidavit
- K) Findings for Recovery Affidavit Wage Rate Determination
- L) Federal Davis Bacon Wage
- M) Special Provision/Technical Specifications

The CONTRACTOR hereby agrees to commence work under this contract on or before a date to be specified in a Written "Notice to Proceed" of the OWNER, and to fully complete the project within 12 weeks after the written Notice to Proceed has been issued from Warren County and ODOT and a preconstruction meeting has been held. The Contractor further agrees to pay, as liquidated damages, the sum of \$400.00 for each consecutive calendar day thereafter.

This Agreement may be terminated by either party upon written notice in the event of substantial failure by the other party to perform in accordance with the terms of this Agreement. The nonperforming party shall have fifteen calendar days from the date of the termination notice to cure or to submit a plan for cure acceptable to the other party.

OWNER may terminate or suspend performance of this Agreement for OWNER'S convenience upon a written notice to CONTRACTOR. CONTRACTOR shall terminate or suspend performance of the services/work on a schedule acceptable to OWNER.



The CONTRACTOR will indemnify and save the OWNER, their officers and employees, harmless from loss, expenses, costs, reasonable attorney's fees, litigation expenses, suits at law or in equity, causes of action, actions, damages, and obligations arising from (a) negligent, reckless or willful and wanton acts, errors or omissions by CONTRACTOR, its agents, employees, licensees, consultants or subconsultants; (b) the failure of the CONTRACTOR, its agents, employees, licensees, consultants or subconsultants to observe the applicable standard of care providing services pursuant to this agreement; (c) the intentional misconduct of the CONTRACTOR, its agents, employees, licensees, consultants or subconsultants that result in injury to persons or damage to property for which the OWNER may be held legally liable.

The CONTRACTOR does hereby agree to indemnify and hold the OWNER harmless for any and all sums for which the OWNER may be required to pay or for which the OWNER may be held responsible for failure of the CONTRACTOR or any subcontractor to pay the prevailing wage upon this project.

The OWNER agrees to pay the CONTRACTOR in the manner and at such times as set forth in the General Provisions such amounts as required by the Contract Documents.

This Agreement shall be binding upon all parties hereto and their respective heirs, executors, administrators, successors, and assigns.

Contractor shall bind every subcontractor to, and every subcontractor must agree to be bound by the terms of, this Agreement, as far as applicable to the subcontractor's work particularly pertaining to Prevailing Wages and EEO requirements. Nothing contained in this Agreement shall create any contractual relationship between any subcontractor and Owner, nor create any obligations on the part of the Owner to pay or see to the payment of any sums to any subcontractor.

**IN WITNESS WHEREOF**, the parties hereto have executed, or caused to be executed by their duly authorized officials, this Agreement in two counterparts, each of which shall be deemed an original on the date first above written.

**WARREN COUNTY BOARD OF COMMISSIONERS**  
(Owner)

\_\_\_\_\_  
David G. Young, President

(Seal)

ATTEST:

NAME  
(Contractor)

\_\_\_\_\_ By: \_\_\_\_\_  
Name and Title  
\_\_\_\_\_

Approved as to Form:

\_\_\_\_\_  
Assistant Prosecutor

***SECTION G***

***BONDING AND INSURANCE REQUIREMENTS***

## **BONDING AND INSURANCE REQUIREMENTS**

A state or local unit of government receiving a grant from the federal government which requires contracting for construction of facility improvement shall follow its own requirements relating to bid guarantees, performance bonds, and payment bonds, except for contracts or subcontracts exceeding \$100,000. For contracts or subcontracts exceeding \$100,000, the Federal agency may accept the bonding policy and requirements of the grantee provided the Federal agency has made a determination that the Government's interest is adequately protected. If such a determination has not been made, the minimum requirements shall be as follows:

- a. **A bid guaranty from each bidder.** The "bid guaranty" shall consist of a firm commitment such as a bid bond in the amount of one hundred (100) percent of the bid price, or ten (10) percent of the bid price if certified check or other negotiable instrument accompanying a bid, as assurance the bidder will, upon acceptance of his/her bid, execute such contractual documents as may be required within the time specified.
  
- b. **A performance bond on the part of the Contractor for 100 percent of the contract price.** A "performance bond" is one executed in connection with a contract to secure fulfillment of all the contractor's obligations under such contract.

***SECTION H***

***EXPERIENCE STATEMENT***

**EXPERIENCE STATEMENT**

The Bidder is required to state in detail in the space provided below, what work he/she has done of a character similar to that included in the proposed contract, to give references and such other detailed information as will enable the Owner to judge of his/her responsibility, experience, skill and financial standing. Among other things, this statement shall include the following:

A record of similar work performed and evidence to the effect:

- (1) That the Bidder maintains a permanent place of business;
- (2) Has adequate facilities and equipment available for the work under the proposed contract;
- (3) That the Bidder has suitable financial means to meet obligations incidental to the work;
- (4) That the Bidder has appropriate technical experience and possesses sufficient skill and experience.

---

---

---

---

---

---

---

---

---

---

---

***SECTION I***

***AFFIDAVIT OF NON-DELINQUENCY OF REAL  
AND/OR PERSONAL PROPERTY TAX***

***THIS SECTION SHOULD BE FULLY COMPLETED WHETHER OR NOT YOU AS A VENDOR/CONTRACTOR OWN PROPERTY IN WARREN COUNTY, OHIO.***

**AFFIDAVIT**

STATE OF \_\_\_\_\_ )  
 )  
 COUNTY OF \_\_\_\_\_ )            SS:

\_\_\_\_\_ being duly cautioned and sworn, states as follows:

1. That he/she is \_\_\_\_\_ of  
 (Title)

\_\_\_\_\_  
 (Name of Contracting Party)

2. That \_\_\_\_\_ is not presently  
 (Name of Contracting Party)  
 charged with any delinquent Real and/or Personal property taxes on the general tax list of  
 Real and/or Personal property of Warren County.

**-OR-**

1. That \_\_\_\_\_ is charged with  
 (Name of Contracting Party)

delinquent Real and/or Personal property tax on the general tax list of Real and/or Personal property  
 of Warren County. The amount of delinquent Real and/or Personal property tax due and unpaid  
 including any due and unpaid penalty and interest is:  
 \$ \_\_\_\_\_

Further, affiant states not.

\_\_\_\_\_  
 Affiant

Sworn to and subscribed in my presence this \_\_\_\_ day of \_\_\_\_\_ 20\_\_.

\_\_\_\_\_  
 Notary Public

This instrument was prepared by \_\_\_\_\_.

**Note to Fiscal Office:** If any Real and/or Personal property taxes are delinquent, you must send a copy of this statement to the County Treasurer within 30 days of the date it is submitted.

**WARNING:** MAKING A FALSE STATEMENT ON THIS AFFIDAVIT MAY BE PUNISHABLE BY A FINE AND/OR IMPRISONMENT

***SECTION J***

***EQUAL EMPLOYMENT OPPORTUNITY REQUIREMENTS,  
BID CONDITIONS AND  
NON-DISCRIMINATION AND EQUAL  
EMPLOYMENT OPPORTUNITY AFFIDAVIT***



**EQUAL EMPLOYMENT OPPORTUNITY REQUIREMENTS  
AND BID CONDITIONS FOR  
WARREN COUNTY CONSTRUCTION PROJECTS**

**CERTIFICATE OF COMPLIANCE FOR EEO PURPOSES:** (This section applies only to projects that are funded with Federal and State monies)

All bidders on the project **shall** submit together with their bid, a copy of a valid Certificate of Compliance for Equal Employment Opportunity purposes contained herein.

A copy of the Certificate of Compliance is enclosed with this bid response?  Yes  No

**BIDDER'S EEO COVENANTS:**

Throughout its performance of any contract awarded to it on this project, the bidder agrees to the following covenants:

1. The contractor will not discriminate against any employee or applicant for employment because of race, color, religion, national origin, ancestry or sex. The contractor will take affirmative action to ensure that applicants are employed, and that employees are treated during employment without regard to their race, color, religion, national origin, ancestry or sex. Such action shall include, but is not limited to, the following: Employment, upgrading, demotion, or transfer; recruitment or recruitment advertising; layoff or termination; rates of pay or other forms of compensation; and selection for training, including apprenticeship.

The contractor agrees to post in conspicuous places, available to employees and applicants for employment, notices to be provided setting forth the provisions of this nondiscrimination clause.

2. The contractor will in all solicitations or advertisements for employees placed by or on behalf of the prime contractor, state that all qualified applicants will receive consideration for employment without regard to race, color, religion, national origin, ancestry or sex.
3. The contractor agrees to fully cooperate with the County, the State Equal Employment Opportunity Coordinator and with any other official or agency, or the State or Federal government which seeks to eliminate unlawful employment discrimination, and with all other State and Federal efforts to assure equal employment practices under its contract and the contractor shall comply promptly with all requests and directions from the County, the State Equal Opportunity Coordinator and any of the State of Ohio officials and agencies in this regard, both before and during construction.
4. Full cooperation as expressed in clause (3), above, shall include, but not be limited to, being a witness and permitting employees to be witnesses and complainants in any proceedings involving questions of unlawful employment practices, furnishing all information requested by the County and the State Equal Employment Opportunity Coordinator, and permitting access to its books, records, and accounts by the County and the State Equal Employment Opportunity Coordinator for purposes of investigation to ascertain compliance with applicable rules, regulations and orders.

5. In the event of the contractor's noncompliance with the nondiscrimination clauses of its contract or with any of the said rules, regulations, or orders, its contract may be canceled, terminated, or suspended in whole or in part and the contractor may be declared ineligible for further County construction contracts.

In the event that is contract is terminated for a material breach of EEO requirements, the contractor shall become liable for any and all damages which shall accrue to the County as a result of said breach.

6. The contractor will require the inclusion of language reflecting these same six covenants within every subcontract or purchase order it executes in the performance of its contract unless exempted by rules, regulations or orders of the State Equal Employment Opportunity Coordinator so that these provisions will be binding upon each subcontractor or vendor. The contractor will take such as the County may direct as a means of enforcing such provisions, including sanctions for noncompliance; provided, however, that in any litigation with a subcontractor, vendor or other party as a result of such direction by the County, the contractor may be requested to protect the interests of the County.

**The bidder hereby adopts the foregoing covenants?**

\_\_\_\_\_ Yes \_\_\_\_\_No

**PLEASE NOTE:** *The bidder's failure to adopt the Bidder's EEO Covenants and complete the foregoing certification will cause the bidder's proposal to be rejected as being non-responsive.*

**CERTIFICATE OF COMPLIANCE**  
**NON-DISCRIMINATION AND EQUAL EMPLOYMENT OPPORTUNITY AFFIDAVIT**

STATE OF \_\_\_\_\_ )  
    )      SS:  
 COUNTY OF \_\_\_\_\_ )

\_\_\_\_\_ being first duly sworn, deposes and  
 says that he \_\_\_\_\_ of \_\_\_\_\_

the party who made the foregoing proposal; that such party as bidder does not and shall not discriminate against any employee or applicant for employment because of race, religion, color, sex, or national origin. If awarded the bid and contract under this proposal, said party shall take affirmative action to insure that applicants are employed and that employees are treated, during employment, without regard to their race, religion, color, sex, or national origin. If successful as the lowest and best bidder under the foregoing proposal, this party shall post non-discrimination notices in conspicuous places available to employees and applicants for employment setting forth the provisions of this affidavit.

Furthermore, said party agrees to abide by the assurances found in Section 153.54 of the Ohio Revised Code in the Contract Provisions with the Owner if selected as the successful bidder by the Owner.

\_\_\_\_\_  
 Signature

\_\_\_\_\_  
 Affiant

\_\_\_\_\_  
 Company/Corporation

\_\_\_\_\_  
 Address

\_\_\_\_\_  
 City/State/Zip Code

Sworn to and subscribed before me this \_\_\_\_\_ day of \_\_\_\_\_, 20\_\_\_.

\_\_\_\_\_  
 Notary

(seal)

**CERTIFICATE OF COMPLIANCE  
NON-DISCRIMINATION AND EQUAL EMPLOYMENT OPPORTUNITY AFFIDAVIT  
(SUB CONTRACTOR)**

STATE OF \_\_\_\_\_ )

SS:

COUNTY OF \_\_\_\_\_ )

\_\_\_\_\_ being first duly sworn, deposes and

says that he \_\_\_\_\_ of \_\_\_\_\_

the party who made the foregoing proposal; that such party as bidder does not and shall not discriminate against any employee or applicant for employment because of race, religion, color, sex, or national origin. If awarded the bid and contract under this proposal, said party shall take affirmative action to insure that applicants are employed and that employees are treated, during employment, without regard to their race, religion, color, sex, or national origin. If successful as the lowest and best bidder under the foregoing proposal, this party shall post non-discrimination notices in conspicuous places available to employees and applicants for employment setting forth the provisions of this affidavit.

Furthermore, said party agrees to abide by the assurances found in Section 153.54 of the Ohio Revised Code in the Contract Provisions with the Owner if selected as the successful bidder by the Owner.

\_\_\_\_\_  
Signature

\_\_\_\_\_  
Affiant

\_\_\_\_\_  
Company/Corporation

\_\_\_\_\_  
Address

\_\_\_\_\_  
City/State/Zip Code

Sworn to and subscribed before me this \_\_\_\_\_ day of \_\_\_\_\_, 20\_\_\_\_.

\_\_\_\_\_  
Notary

(seal)

***SECTION K***

***FINDINGS FOR RECOVERY AFFIDAVIT***

## FINDINGS FOR RECOVERY AFFIDAVIT

STATE OF \_\_\_\_\_  
COUNTY OF \_\_\_\_\_, SS:

\_\_\_\_\_, upon being duly cautioned and sworn, hereby states the following based on personal knowledge:

1) That he/she is \_\_\_\_\_ (title), of \_\_\_\_\_  
(name of bidder) and authorized to execute this affidavit; and,

2) That \_\_\_\_\_ (name of bidder) is not a person or entity against whom a finding for recovery has been issued by the Auditor of State, which finding for recovery is unresolved as defined in Ohio Revised Code [General Provisions] Section 9.24 (B); and,

3) That \_\_\_\_\_ (name of bidder) does not appear in the database of unresolved findings of recovery maintained by the Auditor of State pursuant to Ohio Revised Code [General Provisions] Section 9.24 (D).

\_\_\_\_\_  
Affiant

Sworn to and subscribed in my presence this \_\_\_\_ day of \_\_\_\_\_, 20\_\_.

\_\_\_\_\_  
Notary Public  
My Commission expires: \_\_\_\_\_

***SECTION L***

***WAGE RATE DETERMINATION***



**Mike DeWine**  
Governor

**Sheryl Maxfield**  
Director

# **PREVAILING WAGE GUIDE**

## **WARREN COUNTY**

### **OHIO DEPARTMENT OF COMMERCE**

Division of Industrial Compliance  
Bureau of Wage and Hour Administration  
6606 Tussing Road, PO Box 4009  
Reynoldsburg, Ohio 43068-9009  
Phone: 614-644-2239  
Fax: 614-728-8639  
[www.com.ohio.gov](http://www.com.ohio.gov)  
TTY/TDD: 1-800-750-0750

The Ohio Department of Commerce is an Equal Opportunity Employer and Service Provider



This packet of information is provided as a summary of the Prevailing Wage guidelines and responsibilities. The Ohio Revised Code, Chapter 4115 should be referred to for the exact wording of the law. Also included are references and forms which should be helpful in the compliance of the Prevailing Wage Law.

## PACKET INFORMATION INDEX

### A. The Ohio Department of Commerce-Division of Industrial Compliance, Wage and Hour Administration Investigators and their assigned counties

1. The Wage and Hour Investigators for the State of Ohio are listed with their contact information.
  - a. If you have questions or need assistance pertaining to Prevailing Wage, you can contact the Investigator in your area.

### B. Prevailing Wage Guide for Public Authorities

1. Notice of change of the Prevailing Wage Threshold Level.
  - a. A notification will be sent to you when there is a change of the Prevailing Wage threshold level
2. Outline of the Public Authority's responsibilities for Prevailing Wage.
3. Public Authority's Compliance Checklist form.
  - a. A form for tracking the progress of a Prevailing Wage project
4. Request form for Prevailing Wage Rates.
  - a. Prevailing Wage Rates can be obtained on the website [www.com.ohio.gov](http://www.com.ohio.gov)
    - (1) Prevailing Wage Determination Schedule of wages must be attached to and made part of the specifications for the project, and must be printed on the bidding blanks where the work is done by contract.
5. Bid Tabulation form
  - a. A form to be completed and returned to ODOC-DIC-Bureau of Wage and Hour Administration when the contract has been awarded.
6. Prevailing Wage Bonds form
  - a. Information needed to be kept on file by the Prevailing Wage Coordinator when bonds from the Public Authority are used for a project.

### C. Prevailing Wage Guidelines for the Public Authority's Coordinator

1. Guideline for the Prevailing Wage Coordinator
  - a. The Prevailing Wage complaint form and instructions can be obtained on the website [www.com.ohio.gov](http://www.com.ohio.gov)
2. Record of the Certified Payroll Reports Received form
  - a. Helpful form for recording the Certified Payroll Reports and the dates received from the contractors and subcontractors.
3. Employee Interview form
  - a. Helpful form for the use by the Prevailing Wage Coordinator when making on-site visits.
4. Employee vs. Independent Contractor
  - a. Helpful questions when determining if a person is an Employee or an Independent Contractor.

### D. Prevailing Wage Guide for Contractors

(Incorporate this section in the Specifications or supply copies for the pre-construction meeting.)

1. Outline of responsibilities for the Prevailing Wage Contractor
2. Notification form from the Contractor to the Employee
  - a. The contractor must submit to employees a completed and signed notification form.
  - b. Some Prevailing Wage Coordinators may require a copy of the completed Notification to the Employee form be submitted with the Certified Payroll Reports.
3. Certified Payroll Report form
  - a. The contractor can use any form/format he chooses as long as **ALL** the information has been provided.
4. Certified Payroll Report form instruction sheet
5. Corrected Certified Payroll Report Example
6. Affidavit of Compliance form
  - a. No Public Authority shall make final payment unless the **Final Affidavits** have been filed by the contractors and subcontractors.



**Mike DeWine**  
Governor

**Sheryl Maxfield**  
Director

# **INVESTIGATORS CONTACT INFORMATION**

## **OHIO DEPARTMENT OF COMMERCE**

Division of Industrial Compliance  
Bureau of Wage and Hour Administration  
6606 Tussing Road, PO Box 4009  
Reynoldsburg, Ohio 43068-9009  
Phone: 614-644-2239  
Fax: 614-728-8639  
[www.com.ohio.gov](http://www.com.ohio.gov)  
TTY/TDD: 1-800-750-0750

The Ohio Department of Commerce is an Equal Opportunity Employer and Service Provider

OHIO DEPARTMENT OF COMMERCE  
 Division of Industrial Compliance  
 Bureau of Wage and Hour Administration  
 Chief, Stephen Clegg

6606 Tussing Road, PO Box 4009  
 Reynoldsburg, Ohio 43068-9009  
 614-644-2239  
 fax: 614-728-8639  
<http://www.com.ohio.gov>

## INVESTIGATORS and THEIR HEADQUARTER COUNTY

<p><b>#48 Dave Horvath</b>          PO Box 1512          Lima, Ohio 45802-1512          Voice: (419) 302-1200          Fax: (614) 728-8639  <a href="mailto:Dave.Horvath@com.state.oh.us">Dave.Horvath@com.state.oh.us</a></p>	<p>Allen *</p>
<p><b>#30 Mike McKee</b>          P.O. Box 1342          Cambridge, Ohio 43725-2247          Voice/Fax: (740) 432-1987  <a href="mailto:Michael.McKee@com.state.oh.us">Michael.McKee@com.state.oh.us</a></p>	<p>Guernsey*</p>
<p><b>#56 Shawn Miles</b>          P.O. Box 2547          North Canton, Ohio 44720          Voice/Fax: (614) 496-9076  <a href="mailto:Shawn.Miles@com.state.oh.us">Shawn.Miles@com.state.oh.us</a></p>	<p>Stark *</p>
<p><b>#37 David Rice</b>          P.O. Box 41241          Dayton, Ohio 45441          Voice: (740) 502-0883          Fax: (614) 995-7768  <a href="mailto:Dave.Rice@com.state.oh.us">Dave.Rice@com.state.oh.us</a></p>	<p>Montgomery *</p>
<p><b>#35 Sean Seibert</b>          P.O. Box 422          Painesville, Ohio 44077-3938          Voice: (614) 557-8662          Fax: (614) 232-9541  <a href="mailto:Sean.Seibert@com.state.oh.us">Sean.Seibert@com.state.oh.us</a></p>	<p>Lake *</p>
<p><b>#11 Kela D. Thompson</b>          6606 Tussing Rd, PO Box 4009          Reynoldsburg, Ohio 43068-9009          Voice: (614) 728-5007          Fax: (614) 232-9537  <a href="mailto:Kela.Thompson@com.state.oh.us">Kela.Thompson@com.state.oh.us</a></p>	<p>Franklin *</p>

**\* Headquarter County**

<p><b>Stephen Clegg, Chief</b>          6606 Tussing Road, PO Box 4009          Reynoldsburg, Ohio 43068-9009          Voice: (614) 728-8686          Fax: (614) 728-8639  <a href="mailto:Stephen.Clegg@com.state.oh.us">Stephen.Clegg@com.state.oh.us</a></p>	<p><b>#90 Jackie Clark, Supervisor</b>          6606 Tussing Rd, PO Box 4009          Reynoldsburg, Ohio 43068-9009          Voice: (614) 728-5019          Fax: (614) 222-2357  <a href="mailto:Jackie.Clark@com.state.oh.us">Jackie.Clark@com.state.oh.us</a></p>
---	---



**Mike DeWine**  
Governor

**Sheryl Maxfield**  
Director

# **PREVAILING WAGE GUIDE FOR PUBLIC AUTHORITIES**

## **OHIO DEPARTMENT OF COMMERCE**

Division of Industrial Compliance  
Bureau of Wage and Hour Administration  
6606 Tussing Road, PO Box 4009  
Reynoldsburg, Ohio 43068-9009  
Phone: 614-644-2239  
Fax: 614-728-8639  
[www.com.ohio.gov](http://www.com.ohio.gov)  
TTY/TDD: 1-800-750-0750

The Ohio Department of Commerce is an Equal Opportunity Employer and Service Provider

# PREVAILING WAGE THRESHOLD LEVELS

## IMPORTANT NOTICE

Before advertising for bids, contracting, or undertaking construction with its own forces, to construct a public improvement, the Public Authority shall have the Ohio Department of Commerce-Division of Industrial Compliance, Bureau of Wage and Hour Administration determine the prevailing rates of wages for workers employed on the public improvement. The wage determination must be included in the project specifications and printed on the bidding blanks where work is done by contract.

<b>“New” construction threshold for <i>Building Construction</i>:</b>	<b>\$250,000</b>
---	------------------

<b>“Reconstruction, enlargement, alteration, repair, remodeling, renovation, or painting” threshold level for <i>Building Construction</i>:</b>	<b>\$75,000</b>
---	-----------------

---

### **As of January 1, 2018:**

<b>“New” construction that involves <i>roads, streets, alleys, sewers, ditches and other works connected to road or bridge construction</i> threshold level has been adjusted to:</b>	<b>\$91,150</b>
---	-----------------

<b>“Reconstruction, enlargement, alteration, repair, remodeling, renovation, or painting” that involves <i>roads, streets, alleys, sewers, ditches and other works connected to road or bridge construction</i> threshold level has been adjusted to:</b>	<b>\$27,309</b>
---	-----------------

- A) Thresholds are to be adjusted biennially by the Director of the Ohio Department of Commerce.
- B) Biennial adjustments to threshold levels are made according to the Building Cost for Skilled Labor Index published by McGraw-Hill’s Engineering News-Record, but may not increase or decrease more than 3% for any year.

If there are questions concerning this notification, please contact:

Ohio Department of Commerce  
Division of Industrial Compliance  
Bureau of Wage and Hour Administration  
6606 Tussing Road, PO Box 4009  
Reynoldsburg, Ohio 43068-9009  
Phone: 614-644-2239  
Fax: 614-728-8639  
[www.com.ohio.gov](http://www.com.ohio.gov)

**Public Authority Responsibilities**  
**ORC Chapter 4115: Wages and Hours on Public Works**  
**(Prevailing Wage Coordinator)**

1. Before advertising for bids, contracting, or undertaking construction with its own forces, to construct a public improvement, the public authority shall have the Ohio Department of Commerce, Division of Industrial Compliance, Bureau of Wage and Hour Administration determine the prevailing rates of wages for workers employed on the public improvement. The wage determination must be included in the project specifications and printed on the bidding blanks where work is done by contract.
  - a) "New" construction has a threshold level of **\$250,000.**
  - b) "Reconstruction, enlargement, alteration, repair, remodeling, renovation, or painting" has a threshold level of **\$75,000.**
  - c) "New" construction that involves roads, streets, alleys, sewers, ditches and other works connected to road or bridge construction has a threshold level of **\$84,314.**
  - d) "Reconstruction, enlargement, alteration, repair, remodeling, renovation, or painting" that involves roads, streets, alleys, sewers, ditches and other works connected to road or bridge construction has a threshold of **\$25,261.**
    - i.) Thresholds are to be adjusted biennially by the Director of Ohio Department of Commerce, Division of Industrial Compliance, Bureau of Wage and Hour Administration.
    - ii.) Biennial adjustments to threshold levels are made according to the Price Deflator for Construction Index, United States Department of Commerce, Bureau of the Census, but may not increase or decrease more than 3% for any year.
2. Every contract for public work shall contain a provision that each worker employed by the contractor or subcontractor, or other person about or upon the public work, must be paid the prevailing rate of wages.
3. If contracts are not awarded or construction undertaken within ninety days (90) from the date of the determination of the prevailing wage there shall be a re-determination of the wage rates before the contract is awarded.
4. Within **seven (7) working days** after the receipt of notification of a change in the prevailing wage rates, the public authority shall notify all affected contractors and subcontractors. If it is determined that a contractor or subcontractor has violated sections 4115.03 to 4115.16 of the Ohio Revised Code because they were not notified as required, **the public authority is liable** for any back wages, fines, damages, court costs and attorney's fees for the period of time covering the receipt of wage changes, until they give the required notice.
5. No public authority shall award a contract for a public improvement to any contractor or subcontractor whose name appears on the list of debarred contractors. This list is filed with the Secretary of State by the Ohio Department of Commerce-Division of Industrial Compliance & Labor-Bureau of Wage and Hour Administration **The filing of the notice of conviction with the secretary of state constitutes notice to all public authorities.** These contractors are prohibited from working on public improvements for periods ranging from one to three years. The list of debarred contractors can be located on the website [www.com.ohio.gov/laws](http://www.com.ohio.gov/laws)
6. A public authority must designate and appoint **one of its own employees** to serve as the Prevailing Wage Coordinator during the life of the contract for constructing the public improvement. A Prevailing Wage Coordinator must be appointed no later than ten days before the first payment of wages by contractors to employees working on the public improvement.

## PUBLIC AUTHORITY'S COMPLIANCE CHECKLIST FOR PREVAILING WAGE

Project:		Number:
Department:		Phone#:
PW Coordinator:		Phone#:
Architect/Engineer:		Phone#:
Contractor:		Phone#:
Contact Person:		Title:
General Contractor:		Prime Contractor:
		Construction Mgr:
<b>Date Completed</b>		<b>Compliance Item Description</b>
	1.	Request Prevailing Wage Determination Schedule from ODOC-DIC-Wage & Hour
	2.	Received Prevailing Wage Determination Schedule
	3.	Incorporate Determination Schedule in Specs./Bidding Blanks
	4.	Incorporate notice of Prevailing Wage requirements in Invitation for Bids/Notice to Bidders
	5.	Incorporate Prevailing Wage requirements in Contract
	6.	Submit complete Invitation for Bid to ODOC-DIC-Wage & Hour
	7.	Invitation for Bids
	8.	Bid Opening
	9.	Check Listing of Violators
	10.	Award of Contract. (see note)
	11.	Submit Bid Tabulation/Award to ODOC-DIC-WAGE & HOUR
	12.	Notice to Successful Bidder
	13.	Work Commenced...(see note)
	14.	Appoint Prevailing Wage Coordinator
	15.	Received list of Subcontractors' names, addresses, phone #'s & email's
	16.	Received Payroll Date Schedule
	17.	Received Registered Apprenticeship Agreement Certifications
	18.	Received Deduction Agreements
	19.	Received Payroll Reports with Certification...(see attachment)
	20.	Visited project site
	21.	Received Changes to Determination Schedule
	22.	Notice to Contractors of Determination Schedule change
	23.	Request Final Compliance Affidavit from contractors & subcontractors
	24.	Received Final Affidavits from all contractors & subcontractors
	25.	Certify Final Payment

**Note:** If contract is not awarded or construction undertaken within 90 days from the date of establishment of the Prevailing Wage Rates, a re-determination of the Prevailing Wage Rates is required.

## REQUEST FOR STATE OF OHIO PREVAILING WAGE RATES

Date		(Mark (X) One)		<input type="checkbox"/> ~ Residential	<input type="checkbox"/> ~ Construction
Project Information (only one project and one county per request form please)					
County of Project		Project Name		This form <b>MUST</b> be filled out <b>COMPETELY &amp; CORRECTLY</b> for us to process your request. Forms not completed correctly will be <b>RETURNED TO THE SENDER</b> .	
Site Address		City			
Owner/Public Authority				Prevailing Wage Rates can be obtained on the website <a href="http://www.com.ohio.gov">www.com.ohio.gov</a>	
Address		Telephone Number		<b>ODOC-DIC-WAGE &amp; HOUR DATE STAMP</b>	
City		Zip Code			
PW Coordinator		Telephone Number			
Issuing Authority of Bonds		Type of Financing			
Estimated Total Overall Project Cost					
<input type="checkbox"/> New Construction		<input type="checkbox"/> "Old" Construction *			
A copy of this form will be returned to you with your wage rates. You must send that copy to us with your bid tabulations once the contract has been awarded.					
Expected Date of Contract Award				PLEASE MAIL THIS REQUEST TO: Ohio Department of Commerce Division of Industrial Compliance Bureau of Wage & Hour Administration 6606 Tussing Road, PO Box 4009 Reynoldsburg, Ohio 43068-9009 PHONE: (614) 644-2239 FAX: (614) 728-8639	
Projected Completion Date					
Send Wage Rates to: (contractors are charged \$5.00 per county)				<b>ODOC-DIC-W&amp;H DATE STAMP (bid tab)</b>	
<input type="checkbox"/> Mail		<input type="checkbox"/> Pick Up			
<input type="checkbox"/> Federal Express Account Number					
Name		Company or Public Authority			
Address					
City		Zip		Telephone Number	
* "Old" construction is reconstruction, enlargement, alteration, repair, remodeling, renovation, or painting.					



## BID TABULATION SHEET

Please attach a copy of your original dated and stamped **"Request for Prevailing Wage Rates"** with this **Bid Tabulation**. Please check mark which company was awarded the contract for the project.  
**(Note: DO NOT SEND UNTIL THE CONTRACT HAS BEEN OFFICIALLY AWARDED.)**

Ohio Department of Commerce  
 Division of Industrial Compliance, Bureau of Wage & Hour  
 6606 Tussing Road, PO Box 4009  
 Reynoldsburg, Ohio 43068-9009  
 (Phone) 614-644-2239, (Fax) 614-728-8639 [www.com.ohio.gov](http://www.com.ohio.gov)

**Contracting Public Authority:**

**Project Name:**

**Project #:**

**Bid Date:**

**Estimate:**

**Contract Description:**  General  HVAC  Electrical  Plumbing  Asbestos  Other:

AWARDED TO (CHECK)	LIST OF THE BIDDING CONTRACTORS	TOTAL BID AMOUNT
<input type="checkbox"/>		
<input type="checkbox"/>		
<input type="checkbox"/>		
<input type="checkbox"/>		
<input type="checkbox"/>		
<input type="checkbox"/>		
<input type="checkbox"/>		
<input type="checkbox"/>		
<input type="checkbox"/>		
<input type="checkbox"/>		
<input type="checkbox"/>		
<input type="checkbox"/>		
<input type="checkbox"/>		
<input type="checkbox"/>		
<input type="checkbox"/>		
<input type="checkbox"/>		
<input type="checkbox"/>		
<input type="checkbox"/>		
<input type="checkbox"/>		
<input type="checkbox"/>		

### SUBMITTED BY

**Print Name:**

**Title:**

**Telephone Number:** (      )

**FAX #:**

**EMAIL:**

**Signature:**

**Date:**

## INDUSTRIAL DEVELOPMENT BONDS

<b>Bond Projects require the Public Authority to keep the following information on file</b>			
1. Type of Bonds issued:		Amount:	
2. The total cost of the Project:			
3. The other type of financing involved in the project:			
4. Portion of the project being constructed with each type of financing:			
5. Are Prevailing Wage Rates being applied to all construction on the project: <input type="checkbox"/> Yes <input type="checkbox"/> No			
6. The name of the political subdivision who issued the bonds:			
7. When were the bonds issued:			
8. For what purpose were the bonds issued:			
9. Who handles the funds once the bonds are sold:			
10. Who is the lending institution that purchased the bonds:			
11. How are the funds to be paid out:			
12. When are the funds to be paid out:			
13. Who is the Bond Council:			
14. Who has been appointed as the Prevailing Coordinator:			
PWC Address:			
City:	OHIO	Zip:	Telephone #:
15. Obtain a copy of the inducement and other official documents for the issuance of the bonds.			



**Mike DeWine**  
Governor

**Sheryl Maxfield**  
Director

**PREVAILING WAGE GUIDELINES**

**FOR THE**

**PUBLIC AUTHORITY'S**

**PW COORDINATOR**

**OHIO DEPARTMENT OF COMMERCE**

Division of Industrial Compliance and Labor  
Bureau of Wage and Hour Administration  
6606 Tussing Road, PO Box 4009  
Reynoldsburg, Ohio 43068-9009  
Phone: 614-644-2239  
Fax: 614-728-8639  
[www.com.ohio.gov](http://www.com.ohio.gov)  
TTY/TDD: 1-800-750-0750

The Ohio Department of Commerce is an Equal Opportunity Employer and Service Provider

## Prevailing Wage Coordinator Guidelines

For more detailed information please refer to Chapter 4115 of the Ohio Revised Code

- A. Attend any pre-bid and/or pre-construction meetings.
  - 1. To explain the prevailing wage rate requirements.
  - 2. To explain the contractor's responsibilities.
- B. Set up and maintain files containing all contractors' and subcontractors' payroll reports, affidavits, and related documents. These files must be available for public inspection.
- C. Obtain from each contractor a list of their subcontractors' names, addresses, telephone numbers, and email addresses.
- D. Require each contractor and subcontractor to provide their project dates. This will be used to make a time schedule for receiving their certified payrolls.
- E. Obtain from each contractor, the name and address of their Bonding\Surety Company.
- F. Obtain from out-of-state corporations, the name and address of their Statutory Agent. (This agent must be located in the State of Ohio and registered with the Ohio Secretary of State.)
  - 1. Records made in connection with the public improvement must not be removed from the State of Ohio for the period of one year following the completion of the project.
- G. Supply contractors with any changes in the Prevailing Wage Rates.
- H. Within two weeks after the first pay, obtain a certified payroll report from each contractor. A certified report is one that is sworn to and signed by the contractor.
  - 1. If the job will exceed four months, all reports after the initial report can be filed once per month. (The initial report must be filed within two weeks.)
  - 2. If the job will last less than four months, all reports are to be filed weekly after the initial report.
- I. Establish and follow procedures to monitor compliance by contractors and subcontractors.
  - 1. Visit project to verify posting requirements and job classifications.
  - 2. Review certified payroll reports to ensure they are submitted in a timely fashion and complete with the following information for each employee:
    - a) Name, current address, and their social security number or last 4 when permitted
    - b) Classification (must be specific for laborers and operators, including level)
    - c) Hours worked on the project
    - d) Hourly rate
    - e) Fringe benefits, if applicable
    - f) Total hours worked for the week (all jobs)
    - g) Gross wages, all deductions, net pay
  - 3. Compare rates and fringes reported to rates in prevailing wage schedule.
- J. Upon completion of the project and prior to the final payment, require an affidavit of compliance from each contractor and subcontractor. **No public authority shall make final payment to any contractor or subcontractor unless the final affidavits have been filed by the respective contractor and subcontractor. (O.R.C. section 4115.07)**
- K. Report any non-compliance to Ohio Department of Commerce, Division of Industrial Compliance, Bureau of Wage & Hour Administration. The PW complaint form and instructions can be obtained on the website [www.com.ohio.gov](http://www.com.ohio.gov).

## RECORD OF THE CERTIFIED PAYROLL REPORTS RECEIVED

<b>Project:</b>		<b>Number:</b>
<b>Contractor:</b>		<b>Phone #:</b> <b>Email:</b>
<b>General Contractor:</b>	<b>Prime Contractor:</b>	<b>Subcontractor:</b>
<b>Date work commenced:</b>	<b>Completed:</b>	<b>Final Affidavit:</b>

Payroll	Payroll Date	Date Received		Payroll	Payroll Date	Date Received
1				33		
2				34		
3				35		
4				36		
5				37		
6				38		
7				39		
8				40		
9				41		
10				42		
11				43		
12				44		
13				45		
14				46		
15				47		
16				48		
17				49		
18				50		
19				51		
20				52		
21				53		
22				54		
23				55		
24				56		
25				57		
26				58		
27				59		
28				60		
29				61		
30				62		
31				63		
32				64		

## PREVAILING WAGE INVESTIGATION\EMPLOYEE INTERVIEW

Failure to complete this interview form may reduce our ability to recover back wages which may be owed to you.

Project:		Case #:	
Address:		City:	County:
Employee Name:			Last 4 digits of the SS#:
Address:	City:	State:	Zip:
Telephone #: (Home)	(Work)	Email:	Best time to be reached:
Another source by which we can contact you. (Someone not living at your address):			
Name:		Relationship:	Telephone #:
Contractor's Name:		Telephone #:	
Address:		City:	State: Zip:
Date hired:	Date started on this project :	Approximate hours - Straight time:	Overtime:
Method of recording hours: <input type="checkbox"/> Time Card <input type="checkbox"/> Called into office		Recorded by: <input type="checkbox"/> Employee <input type="checkbox"/> Foreman	
Did you keep a personal record of your hours worked on this project? <input type="checkbox"/> Yes <input type="checkbox"/> No		Do you have check stubs? <input type="checkbox"/> Yes <input type="checkbox"/> No	
Did anyone else keep a personal record ? <input type="checkbox"/> Yes <input type="checkbox"/> No		If yes, who:	
List your job classification(s):		<input type="checkbox"/> Journeyman <input type="checkbox"/> Helper <input type="checkbox"/> Apprentice - Level	
List your specific job duties:		List tools\equipment used:	
Hourly rate of pay for this project:		Your regular rate of pay:	
Fringe benefits paid by contractor: <input type="checkbox"/> None <input type="checkbox"/> Health Insurance <input type="checkbox"/> Life Insurance <input type="checkbox"/> Pension <input type="checkbox"/> Bonus ~ Vacation - Amount _____ <input type="checkbox"/> Holidays - Amount _____ <input type="checkbox"/> Apprenticeship training <input type="checkbox"/> Profit Sharing ~ Other (list):			
Did you work overtime? <input type="checkbox"/> Yes <input type="checkbox"/> No		Were hours over 40 per week paid at time and one half? <input type="checkbox"/> Yes <input type="checkbox"/> No	
When is your pay day?		Method of payment: <input type="checkbox"/> Check <input type="checkbox"/> Cash <input type="checkbox"/> Direct Deposit	
List names of co-workers on this project:			
Comments:		Please provide a detailed list of the dates, times and hours worked within each classification that may apply to the work performed on a separate sheet.	
<b>SIGNATURE AND NOTARY</b>			
Affiant is further informed that Section 2921.13 of the Ohio Revised Code provides a penalty of a misdemeanor of the first degree and that prosecution will be pursued of those persons who "knowingly swear or affirm the truth of a false statement when ...the statement is sworn or affirmed before a notary public..." Sworn to before me and subscribed by the said:		I hereby certify that this is a true statement to the best of my knowledge and belief.	
_____		Signature _____ Date _____	
in my presence this _____ day of _____, 20_____.		Return to: Ohio Department of Commerce Division of Industrial Compliance & Labor Bureau of Wage and Hour Administration 6606 Tussing Road P.O. Box 4009 Reynoldsburg, Ohio 43068-9009 (614) 644-2239 <a href="http://www.com.ohio.gov">www.com.ohio.gov</a>	
_____ Notary Public			
Signature of PW Coordinator:			Date:

# EMPLOYEE VS. INDEPENDENT CONTRACTOR

EMPLOYEE	↔	<input checked="" type="checkbox"/> YES	Does the employer have the right to control and direct worker?	<input type="checkbox"/> NO	↔	INDEPENDENT CONTRACTOR
EMPLOYEE	↔	<input checked="" type="checkbox"/> YES	Does the worker receive instructions about how and where the work is to be done instead of the employer merely specifying the desired result?	<input type="checkbox"/> NO	↔	INDEPENDENT CONTRACTOR
EMPLOYEE	↔	<input checked="" type="checkbox"/> YES	Is payment based on time spent rather than a set price for the work to be performed?	<input type="checkbox"/> NO	↔	INDEPENDENT CONTRACTOR
EMPLOYEE	↔	<input checked="" type="checkbox"/> YES	Does the worker devote virtually all his working time to the employer rather than offering services to the general public?	<input type="checkbox"/> NO	↔	INDEPENDENT CONTRACTOR
EMPLOYEE	↔	<input checked="" type="checkbox"/> YES	Does the worker performing services make their services available to the general public and/or other businesses?	<input type="checkbox"/> NO	↔	INDEPENDENT CONTRACTOR
EMPLOYEE	↔	<input checked="" type="checkbox"/> YES	Is there a continuing relationship between employer and worker?	<input type="checkbox"/> NO	↔	INDEPENDENT CONTRACTOR
EMPLOYEE	↔	<input checked="" type="checkbox"/> YES	Can the worker be discharged at will?	<input type="checkbox"/> NO	↔	INDEPENDENT CONTRACTOR
EMPLOYEE	↔	<input checked="" type="checkbox"/> YES	Did the employer train the worker for the job?	<input type="checkbox"/> NO	↔	INDEPENDENT CONTRACTOR
EMPLOYEE	↔	<input checked="" type="checkbox"/> YES	Does the employer have employees performing the same work as the independent contractor?	<input type="checkbox"/> NO	↔	INDEPENDENT CONTRACTOR

# EMPLOYEE VS. INDEPENDENT CONTRACTOR-continued

EMPLOYEE ↔  YES  NO ↔ INDEPENDENT CONTRACTOR

Does the worker perform services personally rather than delegating them to others?

EMPLOYEE ↔  YES  NO ↔ INDEPENDENT CONTRACTOR

Does the employer set a specific time when the individual services are to be performed?

EMPLOYEE ↔  YES  NO ↔ INDEPENDENT CONTRACTOR

Does the employer furnish the tools and materials used by the worker performing services?

EMPLOYEE ↔  YES  NO ↔ INDEPENDENT CONTRACTOR

Is the employer assuming all the financial risk, rather than the worker making a significant financial investment in the job and having the opportunity to realize a profit or loss from the work?

EMPLOYEE ↔  NO  YES ↔ INDEPENDENT CONTRACTOR

Does the individual performing the services publicly advertise these services in for example, the newspaper or yellow pages ?

EMPLOYEE ↔  NO  YES ↔ INDEPENDENT CONTRACTOR

Does the individual performing the services have a business license?

EMPLOYEE ↔  NO  YES ↔ INDEPENDENT CONTRACTOR

Does the individual performing the services operate d.b.a. or under a tradename?





**Mike DeWine**  
Governor

**Sheryl Maxfield**  
Director

# **PREVAILING WAGE GUIDE FOR CONTRACTORS**

## **OHIO DEPARTMENT OF COMMERCE**

Division of Industrial Compliance  
Bureau of Wage and Hour Administration  
6606 Tussing Road, PO Box 4009  
Reynoldsburg, Ohio 43068-9009  
Phone: 614-644-2239  
Fax: 614-728-8639  
[www.com.ohio.gov](http://www.com.ohio.gov)  
TTY/TDD: 1-800-750-0750

The Ohio Department of Commerce is an Equal Opportunity Employer and Service Provider

OHIO DEPARTMENT OF COMMERCE  
 Division of Industrial Compliance  
 Bureau of Wage and Hour Administration  
 Chief, Stephen Clegg

6606 Tussing Road, PO Box 4009  
 Reynoldsburg, Ohio 43068-9009  
 614-644-2239  
 fax: 614-728-8639  
<http://www.com.ohio.gov>

## INVESTIGATORS and THEIR HEADQUARTER COUNTY

<p><b>#48 Dave Horvath</b>          PO Box 1512          Lima, Ohio 45802-1512          Voice: (419) 302-1200          Fax: (614) 728-8639  <a href="mailto:Dave.Horvath@com.state.oh.us">Dave.Horvath@com.state.oh.us</a></p>	<p>Allen *</p>
<p><b>#30 Mike McKee</b>          P.O. Box 1342          Cambridge, Ohio 43725-2247          Voice/Fax: (740) 432-1987  <a href="mailto:Michael.McKee@com.state.oh.us">Michael.McKee@com.state.oh.us</a></p>	<p>Guernsey*</p>
<p><b>#56 Shawn Miles</b>          P.O. Box 2547          North Canton, Ohio 44720          Voice/Fax: (614) 496-9076  <a href="mailto:Shawn.Miles@com.state.oh.us">Shawn.Miles@com.state.oh.us</a></p>	<p>Stark *</p>
<p><b>#37 David Rice</b>          P.O. Box 41241          Dayton, Ohio 45441          Voice/Fax: (740) 502-0883  <a href="mailto:Dave.Rice@com.state.oh.us">Dave.Rice@com.state.oh.us</a></p>	<p>Montgomery *</p>
<p><b>#35 Sean Seibert</b>          P.O. Box 422          Painesville, Ohio 44077-3938          Voice: (614) 557-8662          Fax: (614) 232-9541  <a href="mailto:Sean.Seibert@com.state.oh.us">Sean.Seibert@com.state.oh.us</a></p>	<p>Lake *</p>
<p><b>#11 Kela D. Thompson</b>          6606 Tussing Rd, PO Box 4009          Reynoldsburg, Ohio 43068-9009          Voice: (614) 728-5007          Fax: (614) 232-9537  <a href="mailto:kela.thompson@com.state.oh.us">kela.thompson@com.state.oh.us</a></p>	<p>Franklin *</p>

**\* Headquarter County**

<p><b>Stephen Clegg, Chief</b>          6606 Tussing Road, PO Box 4009          Reynoldsburg, Ohio 43068-9009          Voice: (614) 728-8686          Fax: (614) 728-8639  <a href="mailto:Stephen.Clegg@com.state.oh.us">Stephen.Clegg@com.state.oh.us</a></p>	<p><b>#90 Jackie Clark, Supervisor</b>          6606 Tussing Rd, PO Box 4009          Reynoldsburg, Ohio 43068-9009          Voice: (614) 728-5019          Fax: (614) 222-2357  <a href="mailto:Jackie.Clark@com.state.oh.us">Jackie.Clark@com.state.oh.us</a></p>
---	---



## PREVAILING WAGE CONTRACTOR RESPONSIBILITIES

**This is a summary of prevailing wage contractors' responsibilities. For more detailed information please refer to Chapter 4115 of the Ohio Revised Code**

### General Information

Ohio's prevailing wage laws apply to all public improvements financed in whole or in part by public funds when the total overall project cost is fairly estimated to be more than \$250,000 for new construction or \$75,000 for reconstruction, enlargement, alteration, repair, remodeling, renovation, or painting.

Ohio's prevailing wage laws apply to all public improvements financed in whole or in part by public funds when the total overall project cost is fairly estimated to be more than \$91,150 for new construction that involves roads, streets, alleys, sewers, ditches and other works connected to road or bridge construction or \$27,309 for reconstruction, enlargement, alteration, repair, remodeling, renovation, or painting of a public improvement that involves roads, streets, alleys, sewers, ditches and other works connected to road or bridge construction.

- a) Thresholds are to be adjusted biennially by the Administrator of Ohio Department of Commerce, Division of Industrial Compliance and Labor, Bureau of Wage and Hour Administration
- b) Biennial adjustments to threshold levels are made according to the Price Deflator for Construction Index, United States Department of Commerce, Bureau of the Census\*, but may not increase or decrease more than 3% for any year

### Penalties for violation

Violators are to be assessed the wages owed, plus a penalty of 100% of the wages owed.

### Intentional Violations

If an intentional violation is determined to have occurred, the contractor is prohibited from contracting directly or indirectly with any public authority for the construction of a public improvement. Intentional violation means "a willful, knowing, or deliberate disregard for any provision" of the prevailing wage law and includes but is not limited to the following actions:

- Intentional failure to submit payroll reports as required, or knowingly submitting false or erroneous reports.
- Intentional misclassification of employees for the purpose of reducing wages.
- Intentional misclassification of employees as independent contractors or as apprentices.
- Intentional failure to pay the prevailing wage.
- Intentional failure to comply with the allowable ratio of apprentices to skilled workers as required by the regulations established by Ohio Department of Commerce, Division of Industrial Compliance and Labor, Bureau of Wage and Hour Administration.
- Intentionally employing an officer, of a contractor or subcontractor, that is known to be prohibited from contracting, directly or indirectly, with a public authority.



### Responsibilities

- A. Pay the prevailing rate of wages as shown in the wage rate schedules issued by the Ohio Department of Commerce, Division of Industrial Compliance and Labor, Bureau of Wage and Hour Administration, for the classification of work being performed.
1. Wage rate schedules include all modifications, corrections, escalations, or reductions to wage rates issued for the project.
  2. Overtime must be paid at time and one-half the employee's base hourly rate. Fringe benefits are paid at straight time rate for all hours including overtime.
  3. Prevailing wages must be paid in full without any deduction for food, lodging, transportation, use of tools, etc.; unless, the employee has voluntarily consented to these deductions in writing. The public authority and the Director of Ohio Department of Commerce, Division of Industrial Compliance and Labor, Bureau of Wage and Hour Administration - must approve these deductions as fair and reasonable. Consent and approval must be obtained before starting the project.
- B. Use of Apprentices and Helpers cannot exceed the ratios permitted in the wage rate schedules.
1. Apprentices must be registered with the U.S. Department of Labor Bureau of Apprenticeship and Training.
  2. Contractors must provide the Prevailing Wage Coordinator a copy of the Apprenticeship Agreement for each apprentice on the project.
- C. Keep full and accurate payroll records available for inspection by any authorized representative of the Ohio Department of Commerce, Division of Industrial Compliance, and Labor, Bureau of Wage and Hour Administration or the contracting public authority, including the Prevailing Wage Coordinator. Records should include but are not limited to:
1. Time cards, time sheets, daily work records, etc.
  2. Payroll ledger/journals and canceled checks/check register.
  3. Fringe benefit records must include program, address, account number, & canceled checks.
  4. Records made in connection with the public improvement must not be removed from the State for one year following the completion of the project.
  5. Out-of-State Corporations must submit to the Ohio Secretary of State the full name and address of their Statutory Agent in Ohio.
- D. Prevailing Wage Rate Schedule must be posted on the job site where it is accessible to all employees.
- E. Prior to submitting the initial payroll report, supply the Prevailing Wage Coordinator with your project dates to schedule reporting of your payrolls.
- F. Supply the Prevailing Wage Coordinator a list of all subcontractors including the name, address, and telephone number for each.
1. **Contractors are responsible for their subcontractors' compliance with requirements of Chapter 4115 of the Ohio Revised Code.**



- G. Before employees start work on the project, supply them with written notification of their job classification, prevailing wage rate, fringe benefit amounts, and the name of the Prevailing Wage Coordinator for the project. A copy of the completed signed notification should be submitted to Prevailing Wage Coordinator.
- H. Supply all subcontractors with the Prevailing Wage Rates and changes.
- I. Submit certified payrolls within two (2) weeks after the initial pay period. Payrolls must include the following information:
  - 1. Employees' names, addresses, and social security numbers.
    - a. Corporate officers/owners/partners and any salaried personnel who do physical work on the project are considered employees. All rate and reporting requirements are applicable to these individuals.
  - 2. Employees' work classification.
    - a. Be specific about the laborers and/or operators (Group)
    - b. For all apprentices, show level/year and percent of journeyman's rate
  - 3. Hours worked on the project for each employee.
    - a. The number of hours worked in each day and the total number of hours worked each week.
  - 4. Hourly rate for each employee.
    - a. The minimum rate paid must be the wage rate for the appropriate classification. The Department's Wage Rate Schedule sets this rate.
    - b. All overtime worked is to be paid at time and one-half for all hours worked more than forty (40) per week.
  - 5. Where fringes are paid into a bona fide plan instead of cash, list each benefit and amount per hour paid to program for each employee.
    - a. When the amount contributed to the fringe benefit plan and the total number of hours worked by the employee on all projects for the year are documented, the hourly amount is calculated by dividing the total contribution of the employer by the total number of hours worked by the employee.
    - b. When the amount contributed to the fringe benefit is documented but not the total hours worked, the hourly amount is calculated by **dividing the total yearly contribution by 2080**.
  - 6. Gross amount earned on all projects during the pay period.
  - 7. Total deductions from employee's wages.
  - 8. Net amount paid.
- J. The reports shall be certified by the contractor, subcontractor, or duly appointed agent stating that the payroll is correct and complete; and that the wage rates shown are not less than those required by the O.R.C. 4115.
- K. Provide a Final Affidavit to the Prevailing Wage Coordinator upon the completion of the project.

## PREVAILING WAGE NOTIFICATION to EMPLOYEE

4115.05...the contractor or subcontractor shall furnish each employee NOT covered by a collective bargaining agreement written notification of the job classification to which the employee is assigned, the prevailing wage determined to be applicable to that classification, separated into the hourly rate of pay and the fringe payments, and the identity of the prevailing wage coordinator appointed by the public authority. The contractor or subcontractor shall furnish the same notification to each affected employee every time the job classification of the employee is changed.

Project Name:		Job Number:
Contractor:		
Project Location:		
<b>Prevailing Wage Coordinator</b>	<b>Employee</b>	
Public Authority:	Name:	
Name of PWC:	Street:	
Street:	City:	
City:	State/Zip:	
State/Zip:	Phone:	Email:
Phone:	Last 4 Digits of SS #:	

You will be performing work on this project that falls under these classifications. You will be paid the appropriate rate for the type of work you are performing.

Classification:	Prevailing Wage Rate Total Package:	Minus your fringe benefits *:	Your hourly base rate and overtime:
			/
			/
			/
			/
			/
			/

Hourly fringe benefits paid on your behalf by this company (Yearly amount the company pays divided by 2080):

Fringe	Amount	Fringe	Amount
Health Insurance		Vacation	
Life Insurance		Holiday	
Pension		Sick Pay	
Other (Specify)		Training	
Other (Specify)		<b>Total Hourly Fringes *</b>	

Contractor's Signature:	Date:
Employee's Signature:	Date:

# INSTRUCTIONS FOR PREPARING CERTIFIED PAYROLL REPORTS

## General

Contractors and subcontractors are required by law to submit certified payroll reports for work on projects covered by Ohio's Prevailing Wage Law. This form meets the reporting requirements established by Ohio Revised Code Chapter 4115. The use of this form is not mandatory; employers may submit their own forms provided that all of the required information is included. This form may be reproduced, or additional copies obtained from:

Ohio Department of Commerce  
Division of Industrial Compliance and Labor  
Bureau of Wage & Hour Administration  
6606 Tussing Rd, P. O. Box 4009  
Reynoldsburg, OH 43068-9009  
Phone: (614) 644-2239  
[www.com.ohio.gov](http://www.com.ohio.gov)

## Certified Payroll Heading

**Employer name and address:** Company's full name and address... Indicate if the company is a subcontractor.

**Subcontractor:** Check and list the name of the General Contractor or Prime.

**Project:** Name and location of the project, including county.

**Contracting Public Authority:** Name and address of the contracting public authority... (Owner of the project).

**Week Ending:** Month, day, and year for the last day of the reporting period.

**Payroll #:** Indicate first, second, third, etc. payroll filed by the company for the project.

**Page Indicator:** number of pages included in the report.

**Project Number:** Determined by the public authority... if there is no number leave it blank.

## Payroll Information by Column

- Employee Name, Address and Social Security number:** This information must be provided for all employees that perform physical labor on the project. Corporate officers, partners, and salaried employees are considered employees and must be paid the prevailing rate. Individual sole proprietors do not have to pay themselves prevailing rate but must report their hours on the project.
- Work Class:** List classification of work actually performed by employee. If unsure of work classification, consult the Ohio department of Commerce, Wage and Hour Bureau. Employees working more than one classification should have separate line entries for each classification. Indicate what year/level for Apprentices. Be specific when using laborer and operator classifications; for example, Backhoe Operator or Asphalt Laborer.
- Hours Worked, Day & Date:** In the first row of column 3 enter days of pay period example; M T W T H F S S. The second row is for the date that corresponds with each day for the pay period. In the employee information section enter the number of hours worked on the prevailing wage project and which day the hours were worked. Separate rows are labeled for (ST) straight time hours and (OT) overtime hours. All hours worked after 40, must be paid at the appropriate overtime rate.
- Project Total Hours:** Total the hours entered for pay period.
- Base Rate:** Enter actual rate per hour paid to the employee. The overtime hourly rate is time and one-half the base rate listed in the prevailing wage schedule plus fringe benefits at straight time rate. The prevailing wage schedule lists the base rate plus fringe benefit amounts. These amounts added together equal the total prevailing wage rate. Employers must pay this total amount in one of three ways.
  - Total rate may be paid in entirety in the base rate to the employee; in which case, the cash designation will be checked for fringe benefits.
  - Total rate may be paid as listed in prevailing wage rate schedule with total fringe amounts paid approved plans.
  - Total rate may be paid with a combination of base rate and fringe payments to approved plans in amounts other than those listed in schedule.
- Project Gross:** Enter total gross wages earned on the project for straight time and overtime. Project hours X base rate should equal project gross.
- Fringes:** If fringe benefits are paid in the hourly base rate, indicate this by marking the **Cash** space. If fringe benefits are paid to approved plans as listed in the prevailing wage rate schedule, mark the space **Approved Plans**. If fringe benefits are paid partially in the base rate and partially to approved plans, mark the space **Cash & Approved plans**. List the hourly amount paid to approved plans for each fringe. If payments are not made on a per hour basis, **calculate the hourly fringe credit by dividing the yearly employer contribution by** the lesser of: hours actually worked in the year (these must be documented) or **2080**. Fringe benefits include: **Employer's share** of health insurance, life insurance, retirement plan, bonus/profit sharing, sick pay, holiday pay, personal leave, vacation, and education/training programs. If unsure of a possible fringe benefit, contact the Ohio Department of Commerce - Division of Industrial Compliance and Labor - Bureau of Wage & Hour Administration.
- Total Hours All Jobs:** Total all hours worked during the pay period including non-prevailing wage jobs.
- Total Gross All Jobs:** Gross amount earned in the pay period for all hours worked.
- Self explanatory.
- Self explanatory.

# Certified Payroll Report

**Report for:**  Check if Subcontractor<sup>1)</sup> Contract No: \_\_\_\_\_ Payroll No: \_\_\_\_\_  
 Company:<sup>1)</sup> \_\_\_\_\_ If Sub, GC/Prime Contractor Name: \_\_\_\_\_ Project Name & Location: \_\_\_\_\_  
 Address: \_\_\_\_\_ Public Authority (Owner): \_\_\_\_\_ Week Ending: \_\_\_\_\_  
 City, State, Zip \_\_\_\_\_ Sheet:<sup>2)</sup> \_\_\_\_\_ of \_\_\_\_\_  
 Phone No: \_\_\_\_\_

1. Employee Name, Address, & SS# (Last 4 digits if permitted)	2. Work Class <sup>3)</sup>	3. Prevailing Wage Project			4. Total Hours	5. Base Rate	6. Project Gross	7. Fringes:				8. Total Hrs for all Jobs	Weekly Payroll Amount				
		Hours Worked - Day & Date						H&W	Pens	Vac	Hol		Other	Total	9. Total Gross on All Jobs	10. Total Deductions	11. Net Pay on All Jobs
	OT																
	ST																
	OT																
	ST																
	OT																
	ST																
	OT																
	ST																
	OT																
	ST																
	OT																
	ST																

1) By signing below, I certify that: (1) I pay, or supervise the payment of the employees shown above; (2) during the pay period reported on this form, all hours worked on this project have been paid at the appropriate prevailing wage rate for the class of work done; (3) the fringe benefits have been paid as indicated above; (4) no rebates or deductions have been or will be made, directly or indirectly from the total wages earned, other than permissible deductions as defined in ORC Chapter 4115; and (5) apprentices are registered with the U.S. Dept. of Labor, Bureau of Apprenticeship and Training. I understand that the willful falsification of any of the above statements may subject the Contractor or Subcontractor to civil or criminal prosecution.

Type or Print Name and Title \_\_\_\_\_ Signature \_\_\_\_\_ Date \_\_\_\_\_

<sup>2)</sup> Attach additional sheets as necessary. <sup>3)</sup> Type in continuous line, text will wrap.



DO NOT REDO FORM AND CHANGE RATES IF AN ERROR HAS BEEN MADE! SUBMIT A CORRECTED REPORT

\*\*\* CORRECTED \*\*\*

### Certified Payroll Report

Fill out all other areas of the form as usual

Total Hours being corrected for this indiv.

Difference in base rate & corrected base rate if applicable

**Report for:**  Check if Subcontractor<sup>1)</sup> Contract No: \_\_\_\_\_ Payroll No: \_\_\_\_\_  
 Company: <sup>1)</sup> If Sub, GC/Prime Contractor Name: \_\_\_\_\_  
 Address: \_\_\_\_\_ Project Name & Location: \_\_\_\_\_ Week Ending: \_\_\_\_\_  
 City, State, Zip \_\_\_\_\_ Public Authority (Owner): \_\_\_\_\_  
 Phone No: \_\_\_\_\_ Sheet<sup>2)</sup> of \_\_\_\_\_

1. Employee Name, Address, & SSN (Last 4 digits if permitted)	2. Work Class <sup>3)</sup>	3. Prevailing Wage Project Hours Worked - Day & Date	4. Total Hours	5. Base Rate	6. Project Gross	7. Fringes:				8. Total Hrs for all Jobs	9. Total Gross on All Jobs	10. Total Deductions	11. Net Pay on All Jobs
						Cash		Approved Plans					
						H&W	Pens	Vac	Hol				
Name Address Last 4 SSN	Class												

Put the period that is being corrected, i.e.: Oct 26 to Nov 02, not individual weekly dates

Difference in fringes & corrected fringes if applicable.

The net paid will be the total of difference paid and the total hours being corrected. Provide check # in the margin.

1) By signing below, I certify that: (1) I pay, or supervise the payment of the employees shown above; (2) during the pay period reported on this form, all hours worked on this project have been paid at the appropriate prevailing wage rate for the class of work done; (3) the fringe benefits have been paid as indicated above; (4) no rebates or deductions have been or will be made, directly or indirectly from the total wages earned, other than permissible deductions as defined in ORC Chapter 4115; and (5) apprentices are registered with the U.S. Dept. of Labor, Bureau of Apprenticeship and Training. I understand that the willful falsification of any of the above statements may subject the Contractor or Subcontractor to civil or criminal prosecution.

Type or Print Name and Title \_\_\_\_\_ Signature \_\_\_\_\_ Sign \_\_\_\_\_ Date \_\_\_\_\_  
 Complete

11/14 jc <sup>2)</sup> Attach additional sheets as necessary. <sup>3)</sup> Type in continuous line, text will wrap.

Send cover letter stating what happened along with a signed letter from the employee acknowledging that they were underpaid, received payment, check or transaction number. Contractor provided cancelled endorsed bank check.

**IMPORTANT NOTICE** - This process may be different if the Public Authority is using **LCPTracker** or some other online system to collect Certified Payroll Report from the contractors.



Affidavit of Compliance
Prevailing Wages

I, \_\_\_\_\_ (Name of person signing affidavit) (Title)

do hereby certify that the wages paid to all employees of

\_\_\_\_\_ (Company Name)

for all hours worked on the

\_\_\_\_\_ (Project name and location)

project, during the period from \_\_\_\_\_ to \_\_\_\_\_ are in (Project Dates)

compliance with prevailing wage requirements of Chapter 4115 of the Ohio Revised Code. I further certify that no rebates or deductions have been or will be made, directly or indirectly, from any wages paid in connection with this project, other than those provided by law.

\_\_\_\_\_ (Signature of Officer or Agent)

Sworn to and subscribed in my presence this \_\_\_\_\_ day of \_\_\_\_\_, 20\_\_\_\_\_.

\_\_\_\_\_ (Notary Public)

The above affidavit must be executed and sworn to by the officer or agent of the contractor or subcontractor who supervises the payment of employees. This affidavit must be submitted to the owner (public authority) before the surety is released or final payment due under the terms of the contract is made.

THIS PAGE WAS LEFT BLANK INTENTIONALLY

## Prevailing Wage Determination Cover Letter

County: WARREN ▼  
Determination Date: 03/09/2022  
Expiration Date: 06/09/2022

THE FOLLOWING PAGES ARE PREVAILING RATES OF WAGES ON PUBLIC IMPROVEMENTS FAIRLY ESTIMATED TO BE MORE THAN THE AMOUNT IN O.R.C. SEC. 4115.03 (b) (1) or (2), AS APPLICABLE.

Section 4115.05 provides, in part: "Where contracts are not awarded or construction undertaken within ninety days from the date of the establishment of the prevailing wages, there shall be a redetermination of the prevailing rate of wages before the contract is awarded." The expiration date of this wage schedule is listed above for your convenience only. This wage determination is not intended as a blanket determination to be used for all projects during this period without prior approval of this Department.

Section 4115.04, Ohio Revised Code provides, in part: "Such schedule of wages shall be attached to and made a part of the specifications for the work, and shall be printed on the bidding blanks where the work is done by contract..."

The contract between the letting authority and the successful bidder shall contain a statement requiring that mechanics and laborers be paid a prevailing rate of wage as required in Section 4115.06, Ohio Revised Code.

The contractor or subcontractor is required to file with the contracting public authority upon completion of the project and prior to final payment therefore an affidavit stating that he has fully complied with Chapter 4115 of the Ohio Revised Code.

The wage rates contained in this schedule are the "Prevailing Wages" as defined by Section 4115.03, Ohio Revised Code (the basic hourly rates plus certain fringe benefits). These rates and fringes shall be a minimum to be paid under a contract regulated by Chapter 4115 of the Ohio Revised Code by contractors and subcontractors. The prevailing wage rates contained in this schedule include the effective dates and wage rates currently on file. In cases where future effective dates are not included in this schedule, modifications to the wage schedule will be furnished to the Prevailing Wage Coordinator appointed by the public authority as soon as prevailing wage rates increases are received by this office.

"There shall be posted in a prominent and accessible place on the site of work a legible statement of the Schedule of Wage Rates specified in the contract to the various classifications of laborers, workmen, and mechanics employed, said statement to remain posted during the life of such contract." Section 4115.07, Ohio Revised Code.

Apprentices will be permitted to work only under a bona fide apprenticeship program if such program exists and if such program is registered with the Ohio Apprenticeship Council.

Section 4115.071 provides that no later than ten days before the first payment of wages is due to any employee of any contractor or subcontractor working on a contract regulated by Chapter 4115, Ohio Revised Code, the contracting public authority shall appoint one of his own employees to act as the prevailing wage coordinator for said contract. The duties of the prevailing wage coordinator are outlined in Section 4115.071 of the Ohio Revised Code.

Section 4115.05 provides for an escalator in the prevailing wage rate. Each time a new rate is established, that rate is required to be paid on all ongoing public improvement projects.

A further requirement of Section 4115.05 of the Ohio Revised Code is: "On the occasion of the first pay date under a contract, the contractor shall furnish each employee not covered by a collective bargaining agreement or understanding between employers and bona fide organizations of Labor with individual written notification of the job classification to which the employee is assigned, the prevailing wage determined to be applicable to that classification, separated into the hourly rate of pay and the fringe payments, and the identity of the prevailing wage Coordinator appointed by the public authority. The contractor or subcontractor shall furnish the same notification to each affected employee every time the job classification of the employee is changed."

Work performed in connection with the installation of modular furniture may be subject to prevailing wage.

**THIS PACKET IS NOT TO BE SEPARATED BUT IS TO REMAIN COMPLETE AS IT IS SUBMITTED TO YOU. (Reference guidelines and forms are included in this packet to be helpful in the compliance of the Prevailing Wage law.)**  
wh1500

# Prevailing Wage Rate Skilled Crafts

Name of Union: Asbestos Local 50 Zone 1

Change # : LCN02-2023ibAsbLoc50Zone1

Craft : Asbestos Worker Effective Date : 07/05/2023 Last Posted : 07/05/2023

	BHR		Fringe Benefit Payments					Irrevocable Fund		Total PWR	Overtime Rate	
			II&W	Pension	App Tr.	Vac.	Annuity	Other	LECET (*)	MISC (*)		
<b>Classification</b>												
Asbestos Insulation Mechanic	\$36.21		\$8.45	\$8.35	\$0.50	\$0.00	\$3.75	\$0.10	\$0.00	\$0.00	\$57.36	\$75.46
Firestop Technician	\$36.21		\$8.45	\$8.35	\$0.50	\$0.00	\$3.75	\$0.10	\$0.00	\$0.00	\$57.36	\$75.46
<b>Apprentice</b>	<b>Percent</b>											
1st year	54.62	\$19.78	\$8.21	\$0.00	\$0.44	\$0.00	\$0.50	\$0.10	\$0.00	\$0.00	\$29.03	\$38.92
2nd year	66.14	\$23.95	\$8.45	\$0.95	\$0.44	\$0.00	\$0.85	\$0.10	\$0.00	\$0.00	\$34.74	\$46.71
3rd year	76.83	\$27.82	\$8.45	\$2.38	\$0.44	\$0.00	\$1.25	\$0.10	\$0.00	\$0.00	\$40.44	\$54.35
4th year	84.03	\$30.43	\$8.45	\$2.38	\$0.44	\$0.00	\$1.50	\$0.10	\$0.00	\$0.00	\$43.30	\$58.51

**Special Calculation Note :** \*other is Labor Mgt Training Fund

**Ratio :**

1 Journeymen to 1 Apprentice  
4 Journeymen to 1 Apprentice thereafter

**Jurisdiction ( \* denotes special jurisdictional note ) :**

ATHENS, AUGLAIZE, BUTLER\*, CLINTON, CRAWFORD, DELAWARE, FAIRFIELD, FAYETTE, FRANKLIN, GUERNSEY, HARDIN, HOCKING, KNOX, LICKING, LOGAN, MADISON, MARION, MORGAN, MORROW, MUSKINGUM, NOBLE, PERRY, PICKAWAY, ROSS, SHELBY, UNION, VINTON, WARREN\*

**Special Jurisdictional Note :** Township of Butler County-Townships of Lemon and Madison. Warren County-Township of Cleer Creek, Franklin, Massie, Turtle Creek and Wayne

**Details :**

# Prevailing Wage Rate Skilled Crafts

Name of Union: Asbestos Local 8 Heat & Frost Insulators

Change # : LCN01-2023ibAsbLoc8

Craft : Asbestos Worker Effective Date : 03/01/2023 Last Posted : 02/22/2023

	BHR		Fringe Benefit Payments					Irrevocable Fund		Total PWR	Overtime Rate	
			H&W	Pension	App Tr.	Vac.	Annuity	Other	LECET (*)			MISC (*)
Classification												
Asbestos Insulators	\$33.08		\$7.89	\$9.35	\$0.45	\$0.00	\$3.00	\$0.00	\$0.00	\$0.00	\$53.77	\$70.31
Apprentice	Percent											
1st year	47.04	\$15.56	\$7.89	\$5.10	\$0.45	\$0.00	\$3.00	\$0.00	\$0.00	\$0.00	\$32.00	\$39.78
2nd year	53.69	\$17.76	\$7.89	\$6.65	\$0.45	\$0.00	\$3.00	\$0.00	\$0.00	\$0.00	\$35.75	\$44.63
3rd year	58.22	\$19.26	\$7.89	\$6.65	\$0.45	\$0.00	\$3.00	\$0.00	\$0.00	\$0.00	\$37.25	\$46.88
4th year	62.76	\$20.76	\$7.89	\$6.65	\$0.45	\$0.00	\$3.00	\$0.00	\$0.00	\$0.00	\$38.75	\$49.13

**Special Calculation Note :** No special calculations for this skilled craft wage rate are required at this time.

**Ratio :**

- 1 Journeymen to 1 Apprentice
- 2 Journeymen to 2 Apprentice
- 3 Journeymen to 3 Apprentice
- 3 Journeymen to 1 Apprentice there After

**Jurisdiction ( \* denotes special jurisdictional note ) :**

ADAMS, BROWN, BUTLER\*, CLERMONT, HAMILTON, HIGHLAND, WARREN\*

**Special Jurisdictional Note :** In Butler County: townships of Fairfield, Hanover, Liberty, Milford, Morgan, Oxford, Ripley, Ross, St. Clair, Union & Wayne. In Warren County: Townships of Deerfield, Hamilton, Harlan, Salem, Union & Washington

**Details :**

All work in connection with Asbestos Removal, Abatement, Encapsulation, Lead Abatement, Hazardous Materials and Fire Stopping which is performed by employees in the Mechanic or Apprentice Classification shall be covered under the terms of this Agreement.

# Prevailing Wage Rate Skilled Crafts

Name of Union: Asbestos Local 207 OH

Change # : LCN01-2018fbLoc207OH

Craft : Asbestos Worker Effective Date : 08/23/2018 Last Posted : 08/23/2018

	BHR	Fringe Benefit Payments						Irrevocable Fund		Total PWR	Overtime Rate
		H&W	Pension	App Tr.	Vac.	Annuity	Other	LECET (*)	MISC (*)		
<b>Classification</b>											
Asbestos Abatement	\$25.50	\$7.25	\$6.45	\$0.65	\$0.00	\$0.00	\$0.07	\$0.00	\$0.00	\$39.92	\$52.67
Trainee	\$16.50	\$7.25	\$1.50	\$0.65	\$0.00	\$0.00	\$0.07	\$0.00	\$0.00	\$25.97	\$34.22

**Special Calculation Note :**

**Ratio :**

3 Journeymen to 1 Trainee

**Jurisdiction ( \* denotes special jurisdictional note ) :**

ADAMS, ASHLAND, ASHTABULA\*, ATHENS, AUGLAIZE, BROWN, BUTLER\*, CARROLL, CHAMPAIGN, CLARK, CLERMONT, CLINTON, COLUMBIANA, COSHOCTON, CRAWFORD, CUYAHOGA, DARKE, DELAWARE, FAIRFIELD, FAYETTE, FRANKLIN, GEauga, GREENE, GUERNSEY, HAMILTON, HARDIN, HARRISON, HIGHLAND, HOCKING, HOLMES, HURON, KNOX, LAKE, LICKING, LOGAN, LORAIN, MADISON, MAHONING, MARION, MEDINA, MIAMI, MONTGOMERY, MORGAN, MORROW, MUSKINGUM, NOBLE, PERRY, PICKAWAY, PORTAGE, PREBLE, RICHLAND, ROSS, SHELBY, STARK, SUMMIT, TRUMBULL, TUSCARAWAS, UNION, VINTON, WARREN\*, WAYNE

**Special Jurisdictional Note :** Butler County:( townships of Fairfield,Hanover,Liberty,Milford,Morgan,Oxford,Ripley,Ross,StClair,Union & Wayne.) (Lemon & Madison) Warren County: (townships of: Deerfield, Hamilton, Harlan, Salem, Union & Washington). ( Clear Creek, Franklin, Mossie, Turtle Creek & Wayne). Ashtabula County: (post offices & townships of Ashtabula, Austinburg, Geneva, Harperfield, Jefferson, Plymouth & Saybrook) (townships of Andover, Cherry Valley, Colbrook, Canneaut, Denmark, Dorset, East Orwell, Hartsgrove, Kingville, Lenox, Monroe,Morgan,New Lyme,North Kingsville, Orwell, Pierpoint, Richmond Rock Creek, Rome, Sheffield, Trumbull, Wayne, Williamsfield & Windsor) Erie County:(post offices & townships of Berlin, Berlin Heights,Birmingham,Florence ,Huron, Milan, Shinrock & Vermilion)

**Details :**

Asbestos & lead paint abatement including,but not limited to the removal or encapsulation of asbestos & lead paint,all work in conjunction with the preparation of the removal of same & all work in conjunction with the clean up after said removal.The removal of all insulation materials, whether they contain asbestos or not, from mechanical systems (pipes, boilers, ducts, flues, breaching, etc.) is recognized as being the exclusive work of the Asbestos Abatement Workers.

On all mechanical systems (pipes, boilers, ducts, flues, breaching, etc.) that are going to be demolished, the removal of all insulating materials whether they contain asbestos or not shall be the exclusive work of the Laborers. An Abatement Journeyman is anyone who has more than 300 hours in the Asbestos Abatement field.

# Prevailing Wage Rate Skilled Crafts

Name of Union: Boilermaker Local 105

Change # : LCN02-2013fbLoc 105

Craft : Boilermaker Effective Date : 10/01/2013 Last Posted : 09/25/2013

	BHR		Fringe Benefit Payments					Irrevocable Fund		Total PWR	Overtime Rate	
			H&W	Pension	App Tr.	Vac.	Annuity	Other	LECET (*)			MISC (*)
Classification												
Boilermaker	\$35.26		\$7.07	\$13.28	\$0.89	\$0.00	\$3.00	\$0.55	\$0.00	\$0.00	\$60.05	\$77.68
<b>Apprentice</b>	<b>Percent</b>											
1st 6 months	70.03	\$24.69	\$7.07	\$11.30	\$0.89	\$0.00	\$2.10	\$0.55	\$0.00	\$0.00	\$46.60	\$58.95
2nd 6 months	75.02	\$26.45	\$7.07	\$11.30	\$0.89	\$0.00	\$2.25	\$0.55	\$0.00	\$0.00	\$48.51	\$61.74
3rd 6 months	80.00	\$28.21	\$7.07	\$11.30	\$0.89	\$0.00	\$2.40	\$0.55	\$0.00	\$0.00	\$50.42	\$64.52
4th 6 months	85.02	\$29.98	\$7.07	\$11.30	\$0.89	\$0.00	\$2.55	\$0.55	\$0.00	\$0.00	\$52.34	\$67.33
5th 6 months	87.52	\$30.86	\$7.07	\$13.28	\$0.89	\$0.00	\$2.63	\$0.55	\$0.00	\$0.00	\$55.28	\$70.71
6th 6 months	90.03	\$31.74	\$7.07	\$13.28	\$0.89	\$0.00	\$2.70	\$0.55	\$0.00	\$0.00	\$56.23	\$72.11
7th 6 months	92.50	\$32.62	\$7.07	\$13.28	\$0.89	\$0.00	\$2.78	\$0.55	\$0.00	\$0.00	\$57.19	\$73.49
8th 6 months	95.00	\$33.50	\$7.07	\$13.28	\$0.89	\$0.00	\$2.85	\$0.55	\$0.00	\$0.00	\$58.14	\$74.89

**Special Calculation Note :** Other is Supplemental Health and Welfare

**Ratio :**

5 Journeymen to 1 Apprentice

**Jurisdiction ( \* denotes special jurisdictional note ) :**

ADAMS, ATHENS, BROWN, BUTLER,  
CHAMPAIGN, CLARK, CLERMONT, CLINTON,  
FAIRFIELD, FAYETTE, FRANKLIN, GALLIA,  
GREENE, GUERNSEY, HAMILTON, HIGHLAND,  
HOCKING, JACKSON, LAWRENCE, LICKING,  
MADISON, MEIGS, MIAMI, MONTGOMERY,  
MORGAN, MUSKINGUM, NOBLE, PERRY,  
PICKAWAY, PIKE, PREBLE, ROSS, SCIOTO,  
VINTON, WARREN

**Special Jurisdictional Note :**

**Details :**



# Prevailing Wage Rate Skilled Crafts

Name of Union: Boilermaker Local 154

Change # : LCN01-2012kpLoc 154

Craft : Boilermaker Effective Date : 03/22/2012 Last Posted : 03/22/2012

	BHR		Fringe Benefit Payments						Irrevocable Fund		Total PWR	Overtime Rate
			H&W	Pension	App Tr.	Vac.	Annuity	Other	LECET (*)	MISC (*)		
<b>Classification</b>												
Boilermaker	\$36.17		\$8.57	\$11.28	\$0.55	\$0.00	\$4.25	\$0.34	\$0.00	\$1.40	\$62.56	\$80.65
Trainee 60%	\$23.25		\$8.57	\$3.59	\$0.55	\$0.00	\$4.25	\$0.34	\$0.00	\$1.40	\$41.95	\$53.57
Trainee 70%	\$27.13		\$8.57	\$3.59	\$0.55	\$0.00	\$4.25	\$0.34	\$0.00	\$1.40	\$45.83	\$59.40
Trainee 80%	\$31.00		\$8.57	\$3.59	\$0.55	\$0.00	\$4.25	\$0.34	\$0.00	\$1.40	\$49.70	\$65.20
Trainee 90%	\$34.88		\$8.57	\$3.59	\$0.55	\$0.00	\$4.25	\$0.34	\$0.00	\$1.40	\$53.58	\$71.02
<b>Apprentice Registered After 11/01/2005</b>	<b>Percent</b>											
1st 6 months	60.00	\$21.70	\$8.57	\$3.59	\$0.55	\$0.00	\$4.25	\$0.34	\$0.00	\$1.40	\$40.40	\$51.25
2nd 6 months	65.00	\$23.51	\$8.57	\$3.59	\$0.55	\$0.00	\$4.25	\$0.34	\$0.00	\$1.40	\$42.21	\$53.97
3rd 6 months	70.00	\$25.32	\$8.57	\$3.59	\$0.55	\$0.00	\$4.25	\$0.34	\$0.00	\$1.40	\$44.02	\$56.68
4th 6 months	75.00	\$27.13	\$8.57	\$3.59	\$0.55	\$0.00	\$4.25	\$0.34	\$0.00	\$1.40	\$45.83	\$59.39
5th 6 months	80.00	\$28.94	\$8.57	\$3.59	\$0.55	\$0.00	\$4.25	\$0.34	\$0.00	\$1.40	\$47.64	\$62.10
6th 6 months	85.00	\$30.74	\$8.57	\$3.59	\$0.55	\$0.00	\$4.25	\$0.34	\$0.00	\$1.40	\$49.44	\$64.82
7th 6 months	90.00	\$32.55	\$8.57	\$3.59	\$0.55	\$0.00	\$4.25	\$0.34	\$0.00	\$1.40	\$51.25	\$67.53
8th 6 months	95.00	\$34.36	\$8.57	\$3.59	\$0.55	\$0.00	\$4.25	\$0.34	\$0.00	\$1.40	\$53.06	\$70.24

**Special Calculation Note :** No special calculations for this skilled craft wage rate are required at this time.

**Ratio :**  
5 Journeymen to 1 Apprentice

**Jurisdiction ( \* denotes special jurisdictional note ) :**  
BUTLER, COLUMBIANA, FAYETTE, JEFFERSON,  
LAWRENCE, MERCER, WARREN, WASHINGTON

**Special Jurisdictional Note :**

**Details :**

Work includes but not limited to: boiler making, acetylene burning, riveting, chipping, caulking, rigging, fitting-up, grinding, reaming, impact machine operating, unloading, and handling of boilermaker's material and equipment. Boilermakers, Blacksmiths, Forgers, Iron Shipbuilders

# Prevailing Wage Rate Skilled Crafts

Name of Union: Bricklayer Local 18

Change # : LCN01-2022sksLoc18

Craft : Bricklayer Effective Date : 06/01/2022 Last Posted : 06/01/2022

	BHR		Fringe Benefit Payments					Irrevocable Fund		Total PWR	Overtime Rate	
			H&W	Pension	App Tr.	Vac.	Annuity	Other	LECET (*)	MISC (*)		
<b>Classification</b>												
Bricklayer	\$31.87		\$9.55	\$6.20	\$0.68	\$0.00	\$0.00	\$0.00	\$0.00	\$0.00	\$48.30	\$64.24
Stone Mason	\$31.87		\$9.55	\$6.20	\$0.68	\$0.00	\$0.00	\$0.00	\$0.00	\$0.00	\$48.30	\$64.24
Pointer Caulker Cleaner	\$31.87		\$9.55	\$6.20	\$0.68	\$0.00	\$0.00	\$0.00	\$0.00	\$0.00	\$48.30	\$64.24
Refractory Workers	\$32.87		\$9.55	\$6.20	\$0.68	\$0.00	\$0.00	\$0.00	\$0.00	\$0.00	\$49.30	\$65.73
Refractory Worker Hot Pay	\$34.87		\$9.55	\$6.20	\$0.68	\$0.00	\$0.00	\$0.00	\$0.00	\$0.00	\$51.30	\$68.73
Sawman	\$32.12		\$9.55	\$6.20	\$0.68	\$0.00	\$0.00	\$0.00	\$0.00	\$0.00	\$48.55	\$64.61
Layout Man	\$32.12		\$9.55	\$6.20	\$0.68	\$0.00	\$0.00	\$0.00	\$0.00	\$0.00	\$48.55	\$64.61
Free Standing Chimney	\$32.37		\$9.55	\$6.20	\$0.68	\$0.00	\$0.00	\$0.00	\$0.00	\$0.00	\$48.80	\$64.98
<b>Apprentice Percent</b>												
1st 6 months	60.00	\$19.12	\$9.55	\$6.20	\$0.68	\$0.00	\$0.00	\$0.00	\$0.00	\$0.00	\$35.55	\$45.11
2nd 6 months	65.00	\$20.72	\$9.55	\$6.20	\$0.68	\$0.00	\$0.00	\$0.00	\$0.00	\$0.00	\$37.15	\$47.50
3rd 6 months	70.00	\$22.31	\$9.55	\$6.20	\$0.68	\$0.00	\$0.00	\$0.00	\$0.00	\$0.00	\$38.74	\$49.89
4th 6 months	75.00	\$23.90	\$9.55	\$6.20	\$0.68	\$0.00	\$0.00	\$0.00	\$0.00	\$0.00	\$40.33	\$52.28
5th 6 months	80.00	\$25.50	\$9.55	\$6.20	\$0.68	\$0.00	\$0.00	\$0.00	\$0.00	\$0.00	\$41.93	\$54.67
6th 6 months	85.00	\$27.09	\$9.55	\$6.20	\$0.68	\$0.00	\$0.00	\$0.00	\$0.00	\$0.00	\$43.52	\$57.06
7th 6 months	90.00	\$28.68	\$9.55	\$6.20	\$0.68	\$0.00	\$0.00	\$0.00	\$0.00	\$0.00	\$45.11	\$59.45
8th 6 months	95.00	\$30.28	\$9.55	\$6.20	\$0.68	\$0.00	\$0.00	\$0.00	\$0.00	\$0.00	\$46.71	\$61.84

MASON FINISHER 1st 180 Days	45.00	\$14.34	\$0.00	\$0.00	\$0.00	\$0.00	\$0.00	\$0.00	\$0.00	\$0.00	\$14.34	\$21.51
1st Year H&W after 6 months	45.00	\$14.34	\$9.55	\$0.00	\$0.00	\$0.00	\$0.00	\$0.00	\$0.00	\$0.00	\$23.89	\$31.06
2nd Year	50.00	\$15.94	\$9.55	\$0.00	\$0.00	\$0.00	\$0.00	\$0.00	\$0.00	\$0.00	\$25.48	\$33.45

**Special Calculation Note :** \*\*In order to utilize a Pre-Apprentice, you must have 1 Registered Apprentice in your employ.

**Ratio :**

- 1-2 Journeyman to 1 Apprentice
- 3-4 Journeyman to 2 Apprentice
- 5-6 Journeyman to 2 Apprentice
- 7-10 Journeyman to 3 Apprentice

- 1 Apprentice permits 1 Mason Trainee
- 2 Apprentice permits 1 Mason Trainee
- 3 Apprentice permits 2 Mason Trainees
- 4 Apprentice permits 2 Mason Trainees

For each additional 5 Journeyman to 1 Apprentice, for every 3 additional Apprentices, 1 Mason Finisher may be added

**Special Jurisdictional Note :** In Preble County the following townships are included: (Dixon, Gasper, Graits, Israel, Lanier and Somers)

**Details :**

MASON FINISHER:duties shall be to work in all aspects of Masonry construction taking direction from the employer and the Journeyman Bricklayer & Stone Mason's working on the job. Mason Finisher's may work on job site only when a registered apprentice is on job and the ratios in table above will strictly be enforced.

Refractory work is classified as working with any of the following materials:  
Acid brick, carbon black brick or carbon black block, firebrick grinding, plastics (with a gun) and any resinous cement.

Fifty cents (\$0.50) per hour above scale shall be paid to employees working on free standing industrial or institutional chimneys which are completely detached from any building structure.

**Jurisdiction ( \* denotes special jurisdictional note ) :**

BROWN, BUTLER, CLERMONT, HAMILTON, PREBLE\*, WARREN

# Prevailing Wage Rate Skilled Crafts

Name of Union: Bricklayer Local 18 Tile Mechanic

Change # : LCN01-2022sksLoc18

Craft : Bricklayer Effective Date : 09/01/2022 Last Posted : 08/12/2022

	BHR		Fringe Benefit Payments					Irrevocable Fund		Total PWR	Overtime Rate	
			H&W	Pension	App Tr.	Vac.	Annuity	Other	LECET (*)			MISC (*)
Classification												
Bricklayer Tile Terrazzo Marble Mason Mechanic		\$31.21	\$9.67	\$5.60	\$0.57	\$0.00	\$0.00	\$0.00	\$0.00	\$0.00	\$47.05	\$62.66
Marble Layout Work		\$31.71	\$9.67	\$5.60	\$0.57	\$0.00	\$0.00	\$0.00	\$0.00	\$0.00	\$47.55	\$63.41
Swing Scaffold Worker		\$32.71	\$9.67	\$5.60	\$0.57	\$0.00	\$0.00	\$0.00	\$0.00	\$0.00	\$48.55	\$64.90
Apprentice after 2 years (2400 hrs) as Apprentice Finisher												
5th/6 Months 0- 600 hrs.	70.00	\$21.85	\$9.67	\$5.60	\$0.57	\$0.00	\$0.00	\$0.00	\$0.00	\$0.00	\$37.69	\$48.61
6th/6 months 601-1200 hrs.	80.00	\$24.97	\$9.67	\$5.60	\$0.57	\$0.00	\$0.00	\$0.00	\$0.00	\$0.00	\$40.81	\$53.29
7th/6 months 1201-1800 hrs.	85.00	\$26.53	\$9.67	\$5.60	\$0.57	\$0.00	\$0.00	\$0.00	\$0.00	\$0.00	\$42.37	\$55.63
8th/6 months 1801-2400 hrs.	90.00	\$28.09	\$9.67	\$5.60	\$0.57	\$0.00	\$0.00	\$0.00	\$0.00	\$0.00	\$43.93	\$57.97

**Special Calculation Note :** Classification title contains "Bricklayer" because contract originates within the Bricklayer Local.

Note that the classification description is clarified after the local union number at the top of the page.

**Ratio :**

1 Journeyman to 1 Apprentice  
5 Journeymen to 1 Apprentice  
10 Journeymen to 2 Apprentices  
15 Journeymen to 3 Apprentices  
20 Journeymen to 4 Apprentices  
25 Journeymen to 5 Apprentices

**Jurisdiction ( \* denotes special jurisdictional note ) :**

ADAMS, BROWN, BUTLER, CLERMONT, GALLIA,  
HAMILTON, LAWRENCE, PREBLE\*, SCIOTO,  
WARREN

**Special Jurisdictional Note :** In Preble County the Townships of Dixon, Israel, Gasper, Lanier, Somers and Gratis.

**Details :**

\*\*In order to utilize a Pre-Apprentice, you must have 1 Registered Apprentice in your employ.\*\*

# Prevailing Wage Rate Skilled Crafts

Name of Union: Bricklayer Local 18 Tile Finisher

Change # : LCN01-2022sksLoc18

Craft : Bricklayer Effective Date : 09/01/2022 Last Posted : 08/12/2022

	BHR		Fringe Benefit Payments					Irrevocable Fund		Total PWR	Overtime Rate	
			H&W	Pension	App Tr.	Vac.	Annuity	Other	LECET (*)			MISC (*)
Classification												
Bricklayer Tile Marble Terrazzo Finisher	\$26.66		\$9.67	\$5.60	\$0.53	\$0.00	\$0.00	\$0.00	\$0.00	\$0.00	\$42.46	\$55.79
Terrazzo Base Grinder	\$27.16		\$9.67	\$5.60	\$0.53	\$0.00	\$0.00	\$0.00	\$0.00	\$0.00	\$42.96	\$56.54
Marble Sander Polisher	\$26.76		\$9.67	\$5.60	\$0.53	\$0.00	\$0.00	\$0.00	\$0.00	\$0.00	\$42.56	\$55.94
Apprentices	Percent											
1st 6 months 0-600 hrs	65.00	\$17.33	\$9.67	\$5.60	\$0.53	\$0.00	\$0.00	\$0.00	\$0.00	\$0.00	\$33.13	\$41.79
2nd 6 months 601-1200 hrs	70.00	\$18.66	\$9.67	\$5.60	\$0.53	\$0.00	\$0.00	\$0.00	\$0.00	\$0.00	\$34.46	\$43.79
3rd 6 months 1201-1800 hrs	75.00	\$20.00	\$9.67	\$5.60	\$0.53	\$0.00	\$0.00	\$0.00	\$0.00	\$0.00	\$35.80	\$45.79
4th 6 months 1801-2400 hrs	80.00	\$21.33	\$9.67	\$5.60	\$0.53	\$0.00	\$0.00	\$0.00	\$0.00	\$0.00	\$37.13	\$47.79
5th 6 months 2401-3000 hrs	85.00	\$22.66	\$9.67	\$5.60	\$0.53	\$0.00	\$0.00	\$0.00	\$0.00	\$0.00	\$38.46	\$49.79
6th 6 months 3001-3600	95.00	\$25.33	\$9.67	\$5.60	\$0.53	\$0.00	\$0.00	\$0.00	\$0.00	\$0.00	\$41.13	\$53.79
1-30 Days Prior to Entering Apprenticeship	60.00	\$16.00	\$0.00	\$0.00	\$0.00	\$0.00	\$0.00	\$0.00	\$0.00	\$0.00	\$16.00	\$23.99

**Special Calculation Note :** Classification title contains "Bricklayer" because contract originates within the Bricklayer Local.

Note that the classification description is clarified after the local union number at the top of the page.

**Ratio :**

- 1 Journeyman to 1 Apprentice
- 5 Journeymen to 1 Apprentice
- 10 Journeymen to 2 Apprentices
- 15 Journeymen to 3 Apprentices

**Jurisdiction ( \* denotes special jurisdictional note ) :**

- ADAMS, BROWN, BUTLER, CLERMONT, GALLIA, HAMILTON, LAWRENCE, PREBLE\*, SCIOTO, WARREN, WARREN\*

20 Journeymen to 4 Apprentices

25 Journeymen to 5 Apprentices

**Special Jurisdictional Note :** Warren in the townships of Dixon, Gasper, Isrsel, Somers & Gratis in Prebble County

**Details :**

**\*\*In order to utilize a Pre-Apprentice, you must have 1 Registerd Apprentice in your employ.\*\***

# Prevailing Wage Rate Skilled Crafts

Name of Union: Bricklayer Local 23 Heavy Hwy (A)

Change # : LCN01-2023ibLoc23HevHwyA

Craft : Bricklayer Effective Date : 06/07/2023 Last Posted : 06/07/2023

	BHR		Fringe Benefit Payments					Irrevocable Fund		Total PWR	Overtime Rate	
			H&W	Pension	App Tr.	Vac.	Annuity	Other	LECET (*)			MISC (*)
Classification												
Cement Mason Bricklayer Sewer Water Works A	\$32.40		\$9.75	\$9.03	\$0.52	\$0.00	\$0.00	\$0.00	\$0.00	\$0.00	\$51.70	\$67.90
Apprentice	Percent											
1st year	70.00	\$22.68	\$9.75	\$9.03	\$0.52	\$0.00	\$0.00	\$0.00	\$0.00	\$0.00	\$41.98	\$53.32
2nd year	80.00	\$25.92	\$9.75	\$9.03	\$0.52	\$0.00	\$0.00	\$0.00	\$0.00	\$0.00	\$45.22	\$58.18
3rd year	90.00	\$29.16	\$9.75	\$9.03	\$0.52	\$0.00	\$0.00	\$0.00	\$0.00	\$0.00	\$48.46	\$63.04

**Special Calculation Note : NOT FOR BUILDING CONSTRUCTION.**

**Ratio :**

- 3 Journeymen to 1 Apprentice
- 6 Journeymen to 2 Apprentice
- 9 Journeymen to 3 Apprentice
- 12 Journeymen to 4 Apprentice
- 15 Journeymen to 5 Apprentice

**Jurisdiction ( \* denotes special jurisdictional note ) :**

- ADAMS, ALLEN, ASHLAND, ASHTABULA, ATHENS, AUGLAIZE, BELMONT, BROWN, BUTLER, CARROLL, CHAMPAIGN, CLARK, CLERMONT, CLINTON, COLUMBIANA, COSHOCTON, CRAWFORD, CUYAHOGA, DARKE, DEFIANCE, DELAWARE, ERIE, FAIRFIELD, FAYETTE, FRANKLIN, FULTON, GALLIA, GEAUGA, GREENE, GUERNSEY, HAMILTON, HANCOCK, HARDIN, HARRISON, HENRY, HIGHLAND, HOCKING, HOLMES, HURON, JACKSON, JEFFERSON, KNOX, LAKE, LAWRENCE, LICKING, LOGAN, LORAIN, LUCAS, MADISON, MAHONING, MARION, MEDINA, MEIGS, MERCER, MIAMI, MONROE, MONTGOMERY, MORGAN, MORROW, MUSKINGUM, NOBLE, OTTAWA, PAULDING, PERRY, PICKAWAY, PIKE, PORTAGE, PREBLE, PUTNAM, RICHLAND, ROSS, SANDUSKY, SCIOTO, SENECA, SHELBY, STARK, SUMMIT, TRUMBULL, TUSCARAWAS, UNION, VAN WERT, VINTON, WARREN, WASHINGTON, WAYNE



**Special Jurisdictional Note :**

**Details :**

(A) Highway Construction, Sewer, Waterworks And Utility Construction, Industrial & Building Site Heavy Construction, Airport Construction Or Railroad Construction Work.

(B) Power Plant, Tunnels, Amusement Park, Athletic Stadium Site Work ,Pollution Control,Sewer Plant, Waste Plant, & Water Treatment Facilities, Construction.

# Prevailing Wage Rate Skilled Crafts

Name of Union: Bricklayer Local 23 Heavy Hwy (B)

Change # : LCN01-2023ibLoc23HevHwyB

Craft : Bricklayer Effective Date : 06/07/2023 Last Posted : 06/07/2023

	BHR		Fringe Benefit Payments						Irrevocable Fund		Total PWR	Overtime Rate
			H&W	Pension	App Tr.	Vac.	Annuity	Other	LECET (*)	MISC (*)		
Classification												
Cement Mason Bricklayer Power Plants Tunnels Amusement Parks B	\$33.39		\$9.75	\$9.03	\$0.53	\$0.00	\$0.00	\$0.00	\$0.00	\$0.00	\$52.70	\$69.39
Apprentice	Percent											
1st year	70.00	\$23.37	\$9.75	\$9.03	\$0.53	\$0.00	\$0.00	\$0.00	\$0.00	\$0.00	\$42.68	\$54.37
2nd year	80.00	\$26.71	\$9.75	\$9.03	\$0.53	\$0.00	\$0.00	\$0.00	\$0.00	\$0.00	\$46.02	\$59.38
3rd year	90.00	\$30.05	\$9.75	\$9.03	\$0.53	\$0.00	\$0.00	\$0.00	\$0.00	\$0.00	\$49.36	\$64.39

**Special Calculation Note : NOT FOR BUILDING CONSTRUCTION.**

**Ratio :**

- 3 Journeymen to 1 Apprentice
- 5 Journeymen to 2 Apprentice
- 9 Journeymen to 2 Apprentice
- 12 Journeymen to 4 Apprentice
- 15 Journeymen to 5 Apprentice

**Jurisdiction ( \* denotes special jurisdictional note ) :**

- ADAMS, ALLEN, ASHLAND, ASHTABULA,
- ATHENS, AUGLAIZE, BELMONT, BROWN,
- BUTLER, CARROLL, CHAMPAIGN, CLARK,
- CLERMONT, CLINTON, COLUMBIANA,
- COSHOCTON, CRAWFORD, CUYAHOGA, DARKE,
- DEFIANCE, DELAWARE, ERIE, FAIRFIELD,
- FAYETTE, FRANKLIN, FULTON, GALLIA,
- GEAUGA, GREENE, GUERNSEY, HAMILTON,
- HANCOCK, HARDIN, HARRISON, HENRY,
- HIGHLAND, HOCKING, HOLMES, HURON,
- JACKSON, JEFFERSON, KNOX, LAKE,
- LAWRENCE, LICKING, LOGAN, LORAIN, LUCAS,
- MADISON, MAHONING, MARION, MEDINA,
- MEIGS, MERCER, MIAMI, MONROE,
- MONTGOMERY, MORGAN, MORROW,
- MUSKINGUM, NOBLE, OTTAWA, PAULDING,
- PERRY, PICKAWAY, PIKE, PORTAGE, PREBLE,
- PUTNAM, RICHLAND, ROSS, SANDUSKY,
- SCIOTO, SENECA, SHELBY, STARK, SUMMIT,

**Special Jurisdictional Note :**

**Details :**

(A) Highway Construction, Sewer, Waterworks And Utility Construction, Industrial & Building Site Heavy Construction, Airport Construction Or Railroad Construction Work.

(B) Power Plant, Tunnels, Amusement Park, Athletic Stadium Site Work ,Pollution Control,Sewer Plant, Waste Plant, & Water Treatment Facilities, Construction.

# Prevailing Wage Rate Skilled Crafts

Name of Union: Bricklayer Local 23 (Cincinnati)

Change # : LCN01-2023ibLoc23Cinci

Craft : Bricklayer Effective Date : 06/07/2023 Last Posted : 06/07/2023

	BHR		Fringe Benefit Payments					Irrevocable Fund		Total PWR	Overtime Rate	
			H&W	Pension	App Tr.	Vac.	Annuity	Other	LECET (*)			MISC (*)
Classification												
Bricklayer	\$33.48		\$9.55	\$6.27	\$0.73	\$0.00	\$0.00	\$0.00	\$0.00	\$0.00	\$50.03	\$66.77
Stone Mason	\$33.48		\$9.55	\$6.27	\$0.73	\$0.00	\$0.00	\$0.00	\$0.00	\$0.00	\$50.03	\$66.77
Pointer Caulker Cleaner	\$33.48		\$9.55	\$6.27	\$0.73	\$0.00	\$0.00	\$0.00	\$0.00	\$0.00	\$50.03	\$66.77
Refractory Workers	\$34.48		\$9.55	\$6.27	\$0.73	\$0.00	\$0.00	\$0.00	\$0.00	\$0.00	\$51.03	\$68.27
Refractory Worker Hot Pay	\$36.48		\$9.55	\$6.27	\$0.73	\$0.00	\$0.00	\$0.00	\$0.00	\$0.00	\$53.03	\$71.27
Sawman	\$33.73		\$9.55	\$6.27	\$0.73	\$0.00	\$0.00	\$0.00	\$0.00	\$0.00	\$50.28	\$67.14
Layout Man	\$33.73		\$9.55	\$6.27	\$0.73	\$0.00	\$0.00	\$0.00	\$0.00	\$0.00	\$50.28	\$67.14
Free Standing Chimney	\$33.98		\$9.55	\$6.27	\$0.73	\$0.00	\$0.00	\$0.00	\$0.00	\$0.00	\$50.53	\$67.52
<b>Apprentice</b>	<b>Percent</b>											
1st 6 months	70.00	\$23.44	\$9.55	\$6.27	\$0.73	\$0.00	\$0.00	\$0.00	\$0.00	\$0.00	\$39.99	\$51.70
2nd 6 months	74.00	\$24.78	\$9.55	\$6.27	\$0.73	\$0.00	\$0.00	\$0.00	\$0.00	\$0.00	\$41.33	\$53.71
3rd 6 months	78.00	\$26.11	\$9.55	\$6.27	\$0.73	\$0.00	\$0.00	\$0.00	\$0.00	\$0.00	\$42.66	\$55.72
4th 6 months	82.00	\$27.45	\$9.55	\$6.27	\$0.73	\$0.00	\$0.00	\$0.00	\$0.00	\$0.00	\$44.00	\$57.73
5th 6 months	86.00	\$28.79	\$9.55	\$6.27	\$0.73	\$0.00	\$0.00	\$0.00	\$0.00	\$0.00	\$45.34	\$59.74
6th 6 months	90.00	\$30.13	\$9.55	\$6.27	\$0.73	\$0.00	\$0.00	\$0.00	\$0.00	\$0.00	\$46.68	\$61.75
7th 6 months	94.00	\$31.47	\$9.55	\$6.27	\$0.73	\$0.00	\$0.00	\$0.00	\$0.00	\$0.00	\$48.02	\$63.76
8th 6 months	98.00	\$32.81	\$9.55	\$6.27	\$0.73	\$0.00	\$0.00	\$0.00	\$0.00	\$0.00	\$49.36	\$65.77

MASON FINISHER 1-90 Days	45.00	\$15.07	\$0.00	\$0.00	\$0.00	\$0.00	\$0.00	\$0.00	\$0.00	\$0.00	\$15.07	\$22.60
90-365 Days	45.00	\$15.07	\$9.55	\$0.00	\$0.00	\$0.00	\$0.00	\$0.00	\$0.00	\$0.00	\$24.62	\$32.15
366+ Days	50.00	\$16.74	\$9.55	\$0.00	\$0.00	\$0.00	\$0.00	\$0.00	\$0.00	\$0.00	\$26.29	\$34.66

**Special Calculation Note :** \*\*In order to utilize a Pre-Apprentice, you must have 1 Registered Apprentice in your employ.

Mason Trainees Health and Welfare after 180 days

**Ratio :**

- 1-2 Journeyman to 1 Apprentice
- 3-4 Journeyman to 2 Apprentice
- 5-6 Journeyman to 2 Apprentice
- 7-10 Journeyman to 3 Apprentice

- 1 Apprentice permits 1 Mason Trainee
- 2 Apprentice permits 1 Mason Trainee
- 3 Apprentice permits 2 Mason Trainees
- 4 Apprentice permits 2 Mason Trainees

For each additional 5 Journeyman to 1 Apprentice,  
for every 3 additional Apprentices, 1 Mason Finisher  
may be added

**Special Jurisdictional Note :** In Preble County the following townships are included: (Dixon, Gasper, Graits, Israel, Lanier and Somers)

**Details :**

MASON FINISHER:duties shall be to work in all aspects of Masonry construction taking direction from the employer and the Journeyman Bricklayer & Stone Mason's working on the job. Mason Finisher's may work on job site only when a registered apprentice is on job and the ratios in table above will strictly be enforced.

Refractory work is classified as working with any of the following materials:

Acid brick, carbon black brick or carbon black block, firebrick grinding, plastics (with a gun) and any resinous cement.

Fifty cents (\$0.50) per hour above scale shall be paid to employees working on free standing industrial or institutional chimneys which are completely detached from any building structure.

# Prevailing Wage Rate Skilled Crafts

Name of Union: Bricklayer Local 23 Tile Finisher

Change # : LCN01-2023ibLoc23TF

Craft : Bricklayer Effective Date : 09/01/2023 Last Posted : 08/30/2023

	BHR		Fringe Benefit Payments					Irrevocable Fund		Total PWR	Overtime Rate	
			H&W	Pension	App Tr.	Vac.	Annuity	Other	LECET (*)			MISC (*)
<b>Classification</b>												
Bricklayer Tile Marble Terrazzo Finisher	\$27.87		\$9.67	\$5.85	\$0.54	\$0.00	\$0.25	\$0.00	\$0.00	\$0.00	\$44.18	\$58.12
Terrazzo Base Grinder	\$28.37		\$9.67	\$5.85	\$0.54	\$0.00	\$0.25	\$0.00	\$0.00	\$0.00	\$44.68	\$58.87
Marble Sander Polisher	\$27.97		\$9.67	\$5.85	\$0.54	\$0.00	\$0.25	\$0.00	\$0.00	\$0.00	\$44.28	\$58.27
<b>Apprentices</b>												
	<b>Percent</b>											
1st 6 months 0-600 hrs	65.00	\$18.12	\$9.67	\$5.85	\$0.54	\$0.00	\$0.25	\$0.00	\$0.00	\$0.00	\$34.43	\$43.48
2nd 6 months 601-1200 hrs	70.00	\$19.51	\$9.67	\$5.85	\$0.54	\$0.00	\$0.25	\$0.00	\$0.00	\$0.00	\$35.82	\$45.57
3rd 6 months 1201-1800 hrs	75.00	\$20.90	\$9.67	\$5.85	\$0.54	\$0.00	\$0.25	\$0.00	\$0.00	\$0.00	\$37.21	\$47.66
4th 6 months 1801-2400 hrs	80.00	\$22.30	\$9.67	\$5.85	\$0.54	\$0.00	\$0.25	\$0.00	\$0.00	\$0.00	\$38.61	\$49.75
5th 6 months 2401-3000 hrs	85.00	\$23.69	\$9.67	\$5.85	\$0.54	\$0.00	\$0.25	\$0.00	\$0.00	\$0.00	\$40.00	\$51.84
6th 6 months 3001-3600	95.00	\$26.48	\$9.67	\$5.85	\$0.54	\$0.00	\$0.25	\$0.00	\$0.00	\$0.00	\$42.79	\$56.02
1-30 Days Prior to Entering Apprenticeship	60.00	\$16.72	\$0.00	\$0.00	\$0.00	\$0.00	\$0.00	\$0.00	\$0.00	\$0.00	\$16.72	\$25.08

**Special Calculation Note :** Classification title contains "Bricklayer" because contract originates within the Bricklayer Local.

Note that the classification description is clarified after the local union number at the top of the page.

**Ratio :**

- 1 Journeyman to 1 Apprentice
- 5 Journeymen to 1 Apprentice
- 10 Journeymen to 2 Apprentices
- 15 Journeymen to 3 Apprentices

**Jurisdiction ( \* denotes special jurisdictional note ) :**

- ADAMS, BROWN, BUTLER, CLERMONT, GALLIA,
- HAMILTON, LAWRENCE, PREBLE\*, SCIOTO,
- WARREN, WARREN\*

20 Journeymen to 4 Apprentices  
25 Journeymen to 5 Apprentices

**Special Jurisdictional Note :** Warren in the townships of Dixon, Gasper, Isrsel, Somers & Gratis in Prebble County

**Details :**

**\*\*In order to utilize a Pre-Apprentice, you must have 1 Registerd Apprentice in your employ.\*\***

# Prevailing Wage Rate Skilled Crafts

Name of Union: Bricklayer Local 23 Tile Mechanic

Change # : LCN01-2023ibLoc23TM

Craft : Bricklayer Effective Date : 09/01/2023 Last Posted : 08/30/2023

	BHR		Fringe Benefit Payments						Irrevocable Fund		Total PWR	Overtime Rate
			H&W	Pension	App Tr.	Vac.	Annuity	Other	LECET (*)	MISC (*)		
Classification												
Bricklayer Tile Terrazzo Marble Mason Mechanic	\$32.41		\$9.67	\$5.85	\$0.57	\$0.00	\$0.25	\$0.00	\$0.00	\$0.00	\$48.75	\$64.95
Marble Layout Work	\$32.91		\$9.67	\$5.85	\$0.57	\$0.00	\$0.25	\$0.00	\$0.00	\$0.00	\$49.25	\$65.70
Swing Scaffold Worker	\$33.91		\$9.67	\$5.85	\$0.57	\$0.00	\$0.25	\$0.00	\$0.00	\$0.00	\$50.25	\$67.20
Apprentice after 2 years (2400 hrs) as Apprentice Finisher	Percent											
5th/6 Months 0- 600 hrs	70.00	\$22.69	\$9.67	\$5.85	\$0.57	\$0.00	\$0.25	\$0.00	\$0.00	\$0.00	\$39.03	\$50.37
6th/6 months 601-1200 hrs	80.00	\$25.93	\$9.67	\$5.85	\$0.57	\$0.00	\$0.25	\$0.00	\$0.00	\$0.00	\$42.27	\$55.23
7th/6 months 1201-1800 hrs.	85.00	\$27.55	\$9.67	\$5.85	\$0.57	\$0.00	\$0.25	\$0.00	\$0.00	\$0.00	\$43.89	\$57.66
8th/6 months 1801-2400 hrs.	90.00	\$29.17	\$9.67	\$5.85	\$0.57	\$0.00	\$0.25	\$0.00	\$0.00	\$0.00	\$45.51	\$60.09

**Special Calculation Note :** Classification title contains "Bricklayer" because contract originates within the Bricklayer Local.



Note that the classification description is clarified after the local union number at the top of the page.

**Ratio :**

1 Journeyman to 1 Apprentice  
5 Journeymen to 1 Apprentice  
10 Journeymen to 2 Apprentices  
15 Journeymen to 3 Apprentices  
20 Journeymen to 4 Apprentices  
25 Journeymen to 5 Apprentices

**Jurisdiction ( \* denotes special jurisdictional note ) :**

ADAMS, BROWN, BUTLER, CLERMONT, GALLIA,  
HAMILTON, LAWRENCE, PREBLE\*, SCIOTO,  
WARREN

**Special Jurisdictional Note :** In Preble County the Townships of Dixon, Israel, Gasper, Lanier, Somers and Gratis.

**Details :**

**\*\*In order to utilize a Pre-Apprentice, you must have 1 Registered Apprentice in your employ.\*\***

# Prevailing Wage Rate Skilled Crafts

Name of Union: Carpenter & Pile Driver SW District HevHwy

Change # : LCN01-2023ibCarpSWHevHwy

Craft : Carpenter Effective Date : 05/03/2023 Last Posted : 05/03/2023

	BHR		Fringe Benefit Payments					Irrevocable Fund		Total PWR	Overtime Rate	
			H&W	Pension	App Tr.	Vac.	Annuity	Other	LECET (*)			MISC (*)
Classification												
Journeyman	\$33.28		\$8.44	\$6.95	\$0.60	\$0.00	\$4.57	\$0.15	\$0.00	\$0.00	\$53.99	\$70.63
Apprentice	Percent											
1st 6 Months	60.00	\$19.97	\$8.44	\$6.95	\$0.60	\$0.00	\$4.57	\$0.15	\$0.00	\$0.00	\$40.68	\$50.66
2nd 6 Months	65.00	\$21.63	\$8.44	\$6.95	\$0.60	\$0.00	\$4.57	\$0.15	\$0.00	\$0.00	\$42.34	\$53.16
3rd 6 Months	70.00	\$23.30	\$8.44	\$6.95	\$0.60	\$0.00	\$4.57	\$0.15	\$0.00	\$0.00	\$44.01	\$55.65
4th 6 Months	75.00	\$24.96	\$8.44	\$6.95	\$0.60	\$0.00	\$4.57	\$0.15	\$0.00	\$0.00	\$45.67	\$58.15
5th 6 Months	80.00	\$26.62	\$8.44	\$6.95	\$0.60	\$0.00	\$4.57	\$0.15	\$0.00	\$0.00	\$47.33	\$60.65
6th 6 Months	85.00	\$28.29	\$8.44	\$6.95	\$0.60	\$0.00	\$4.57	\$0.15	\$0.00	\$0.00	\$49.00	\$63.14
7th 6 Months	90.00	\$29.95	\$8.44	\$6.95	\$0.60	\$0.00	\$4.57	\$0.15	\$0.00	\$0.00	\$50.66	\$65.64
8th 6 Months	95.00	\$31.62	\$8.44	\$6.95	\$0.60	\$0.00	\$4.57	\$0.15	\$0.00	\$0.00	\$52.33	\$68.13

**Special Calculation Note :** Other is UBC National Fund.

**Ratio :**

1 Journeymen to 1 Apprentice

An employer shall have the right to employ one (1) Apprentice for one (1) Journeyman Carpenter in its employment for the first Apprentice employed, and 1 (1) Apprentice for two (2) Journeyman Carpenter for additional Apprentices employed.

Thereafter, every third additional carpenter hired shall be an apprentice, if available, and if practical for the type of work being performed.

**Jurisdiction ( \* denotes special jurisdictional note ) :**

BROWN, BUTLER, CHAMPAIGN, CLARK, CLERMONT, CLINTON, DARKE, GREENE, HAMILTON, LOGAN, MIAMI, MONTGOMERY, PREBLE, SHELBY, WARREN

**Special Jurisdictional Note :**

**Details :**

Highway Construction, Airport Construction, Heavy Construction but not limited to:(tunnels,subways,drainage projects,flood control,reservoirs). Railroad Construction,Sewer Waterworks & Utility Construction but not limited to: (storm sewers, waterlines, gaslines). Industrial & Building Site, Power Plant, Amusement Park, Athletic Stadium Site, Sewer and Water Plants.

When the Contractor furnishes the necessary underwater gear for the Diver, the Diver shall be paid one and one half (1&1/2) times the journeyman rate for the time spent in the water.

# Prevailing Wage Rate Skilled Crafts

Name of Union: Carpenter & Pile Driver  
SW Zone 2

Change # : LCN01-2023ibLoc2SWZone2

Craft : Carpenter Effective Date : 06/07/2023 Last Posted : 06/07/2023

	BHR		Fringe Benefit Payments					Irrevocable Fund		Total PWR	Overtime Rate	
			H&W	Pension	App Tr.	Vac.	Annuity	Other	LECET (*)			MISC (*)
Classification												
Carpenter	\$30.22		\$8.00	\$6.95	\$0.60	\$0.00	\$2.60	\$0.15	\$0.00	\$0.00	\$48.52	\$63.63
Pile Driver	\$30.22		\$8.00	\$6.95	\$0.60	\$0.00	\$2.60	\$0.15	\$0.00	\$0.00	\$48.52	\$63.63
Apprentice	Percent											
1st 3 Months	60.00	\$18.13	\$0.00	\$0.00	\$0.00	\$0.00	\$0.00	\$0.00	\$0.00	\$0.00	\$18.13	\$27.20
2nd 3 Months	60.00	\$18.13	\$8.00	\$0.00	\$0.60	\$0.00	\$2.60	\$0.15	\$0.00	\$0.00	\$29.48	\$38.55
2nd 6 Months	60.00	\$18.13	\$8.00	\$0.00	\$0.60	\$0.00	\$2.60	\$0.15	\$0.00	\$0.00	\$29.48	\$38.55
3rd 6 Months	65.00	\$19.64	\$8.00	\$0.00	\$0.60	\$0.00	\$2.60	\$0.15	\$0.00	\$0.00	\$30.99	\$40.81
4th 6 Months	65.00	\$19.64	\$8.00	\$0.00	\$0.60	\$0.00	\$2.60	\$0.15	\$0.00	\$0.00	\$30.99	\$40.81
5th 6 Months	70.00	\$21.15	\$8.00	\$6.95	\$0.60	\$0.00	\$2.60	\$0.15	\$0.00	\$0.00	\$39.45	\$50.03
6th 6 Months	75.00	\$22.66	\$8.00	\$6.95	\$0.60	\$0.00	\$2.60	\$0.15	\$0.00	\$0.00	\$40.97	\$52.30
7th 6 Months	80.00	\$24.18	\$8.00	\$6.95	\$0.60	\$0.00	\$2.60	\$0.15	\$0.00	\$0.00	\$42.48	\$54.56
8th 6 Months	85.00	\$25.69	\$8.00	\$6.95	\$0.60	\$0.00	\$2.60	\$0.15	\$0.00	\$0.00	\$43.99	\$56.83

**Special Calculation Note :** Other is for UBC National Fund.

**Ratio :**

4 Journeyman to 1 Apprentice

**Jurisdiction ( \* denotes special jurisdictional note ) :**

BROWN, BUTLER, CLERMONT, CLINTON, HAMILTON, WARREN

**Special Jurisdictional Note :**

**Details :**

Carpenter duties shall include but not limited to: Pile driving, milling, fashioning, joining, assembling, erecting, fastening, or dismantling of all material of

wood, plastic, metal, fiber, cork, and composition, and all other substitute materials: pile driving, cutting, fitting, and placing of lagging, and the handling, cleaning, erecting, installing, and dismantling of machinery, equipment, and erecting pre-engineered metal buildings.

Pile Drivers work but not limited to: unloading, assembling, erection, repairs, operation, signaling, dismantling, and reloading all equipment that is used for pile driving including pile butts. pile butts is defined as sheeting or scrap piling. Underwater work that may be required in connection with the installation of piling. The diver and his tender work as a team and shall arrive at their own financial arrangements with the contractor. Any configuration of wood, steel, concrete, or composite that is jetted, driven, or vibrated onto the ground by conventional pile driving equipment for the purpose of supporting a future load that may be permanent or temporary.

Driving bracing, plumbing, cutting off and capping of all piling whether wood, metal, pipe piling or composite. Loading, unloading, erecting, framing, dismantling, moving, and handling of pile driving equipment. piling used in the construction and repair of all wharves, docks, piers, trestles, caissons, cofferdams, and the erection of all sea walls and breakwaters. All underwater and marine work on bulkheads, wharves, docks, shipyards, caissons, piers, bridges, pipeline work, viaducts, marine cable and trestles, as well as salvage and reclamation work where divers are employed.

Rate shall include carpenters, acoustic, and ceiling installers, drywall installers, pile drivers, and floorlayers.

# Prevailing Wage Rate Skilled Crafts

Name of Union: Carpenter Floorlayer SW District G

Change # : LCN01-2023ibLocSWG

Craft : Carpenter Effective Date : 09/20/2023 Last Posted : 09/20/2023

	BHR		Fringe Benefit Payments					Irrevocable Fund		Total PWR	Overtime Rate	
			H&W	Pension	App Tr.	Vac.	Annuity	Other	LECET (*)			MISC (*)
Classification												
Carpenter Floorlayer	\$29.02		\$8.31	\$6.95	\$0.60	\$0.00	\$2.28	\$0.15	\$0.00	\$0.00	\$47.31	\$61.82
<b>Apprentice</b>	<b>Percent</b>											
1st 3 months	65.00	\$18.86	\$0.00	\$0.00	\$0.00	\$0.00	\$0.00	\$0.00	\$0.00	\$0.00	\$18.86	\$28.29
2nd 3 months	65.00	\$18.86	\$8.31	\$0.00	\$0.60	\$0.00	\$2.28	\$0.15	\$0.00	\$0.00	\$30.20	\$39.63
2nd 6 months	65.00	\$18.86	\$8.31	\$0.00	\$0.60	\$0.00	\$2.28	\$0.15	\$0.00	\$0.00	\$30.20	\$39.63
3rd 6 months	70.00	\$20.31	\$8.31	\$0.00	\$0.60	\$0.00	\$2.28	\$0.15	\$0.00	\$0.00	\$31.65	\$41.81
4th 6 months	75.00	\$21.76	\$8.31	\$0.00	\$0.60	\$0.00	\$2.28	\$0.15	\$0.00	\$0.00	\$33.11	\$43.99
5th 6 months	80.00	\$23.22	\$8.31	\$6.95	\$0.60	\$0.00	\$2.28	\$0.15	\$0.00	\$0.00	\$41.51	\$53.11
6th 6 months	85.00	\$24.67	\$8.31	\$6.95	\$0.60	\$0.00	\$2.28	\$0.15	\$0.00	\$0.00	\$42.96	\$55.29
7th 6 months	90.00	\$26.12	\$8.31	\$6.95	\$0.60	\$0.00	\$2.28	\$0.15	\$0.00	\$0.00	\$44.41	\$57.47
8th 6 months	95.00	\$27.57	\$8.31	\$6.95	\$0.60	\$0.00	\$2.28	\$0.15	\$0.00	\$0.00	\$45.86	\$59.64

**Special Calculation Note :** Other fs for UBC National Fund and Install

**Ratio :**

1 Journeymen to 1 Apprentice

**Jurisdiction ( \* denotes special jurisdictional note ) :**

BROWN, BUTLER, CHAMPAIGN, CLARK, CLERMONT, CLINTON, DARKE, GREENE, HAMILTON, LOGAN, MIAMI, MONTGOMERY, PREBLE, SHELBY, WARREN

**Special Jurisdictional Note :**

**Details :**

Scope of work shall include, but not be limited to: receiving,unloading,handling,distribution and installation of all carpeting materials,carpet padding or matting materials and all resilient materials whether for use on walls,

floors, counter, sink, table and all preparation work necessary in connection therewith, including sanding work. the installation of nonstructural under-layment and the work of removing, cleaning waxing of any of the above. Carpeting shall include any floor covering composed of either natural or synthetic fibers that are made in breadths to be sewed, fastened or directly glued to floors or over cushioning sound-proofing materials. Resilient Floors shall consist of and include the laying of all special designs of wood, wood block, wood composition, cork, linoleum, asphalt, mastic, plastic, rubber tile, whether nailed or glued.

# Prevailing Wage Rate Skilled Crafts

Name of Union: Carpenter Millwright Local 1090 SW Zone I

Change # : LCN01-2023ibLoc1090SWZ1

Craft : Carpenter Effective Date : 09/20/2023 Last Posted : 09/20/2023

	BHR		Fringe Benefit Payments					Irrevocable Fund		Total PWR	Overtime Rate	
			H&W	Pension	App Tr.	Vac.	Annuity	Other	LECET (*)			MISC (*)
Classification												
Carpenter Millwright	\$34.45		\$8.13	\$6.95	\$0.62	\$0.00	\$7.57	\$0.18	\$0.00	\$0.00	\$57.90	\$75.13
Apprentice	Percent											
1st 6 months	60.00	\$20.67	\$8.13	\$4.27	\$0.62	\$0.00	\$4.54	\$0.18	\$0.00	\$0.00	\$38.41	\$48.75
2nd 6 months	65.00	\$22.39	\$8.13	\$4.61	\$0.62	\$0.00	\$4.92	\$0.18	\$0.00	\$0.00	\$40.85	\$52.05
3rd 6 months	70.00	\$24.12	\$8.13	\$4.94	\$0.62	\$0.00	\$5.30	\$0.18	\$0.00	\$0.00	\$43.28	\$55.34
4th 6 months	75.00	\$25.84	\$8.13	\$5.28	\$0.62	\$0.00	\$5.68	\$0.18	\$0.00	\$0.00	\$45.73	\$58.65
5th 6 months	80.00	\$27.56	\$8.13	\$5.61	\$0.62	\$0.00	\$6.06	\$0.18	\$0.00	\$0.00	\$48.16	\$61.94
6th 6 months	85.00	\$29.28	\$8.13	\$5.95	\$0.62	\$0.00	\$6.43	\$0.18	\$0.00	\$0.00	\$50.59	\$65.23
7th 6 months	90.00	\$31.01	\$8.13	\$6.28	\$0.62	\$0.00	\$6.81	\$0.18	\$0.00	\$0.00	\$53.03	\$68.53
8th 6 months	95.00	\$32.73	\$8.13	\$6.62	\$0.62	\$0.00	\$7.19	\$0.18	\$0.00	\$0.00	\$55.47	\$71.83

**Special Calculation Note :** Other (\$0.18) \$0.13 National Fund and National Millwright Fund \$0.05

**Ratio :**

3 Journeymen to 1 Apprentice

**Jurisdiction ( \* denotes special jurisdictional note ) :**

BROWN, BUTLER, CLERMONT, CLINTON, HAMILTON, WARREN

**Special Jurisdictional Note :**

**Details :**



# Prevailing Wage Rate Skilled Crafts

Name of Union: Carpenter NE District Industrial Dock & Door

Change # : LCN01-2014fbCarpNEStatewide

Craft : Carpenter Effective Date : 03/05/2014 Last Posted : 03/05/2014

	BHR		Fringe Benefit Payments					Irrevocable Fund		Total PWR	Overtime Rate	
			H&W	Pension	App Tr.	Vac.	Annuity	Other	LECET (*)			MISC (*)
<b>Classification</b>												
Carpenter	\$19.70		\$5.05	\$1.00	\$0.15	\$0.00	\$0.00	\$0.00	\$0.00	\$0.00	\$25.90	\$35.75
<b>Trainee</b>												
	<b>Percent</b>											
1st Year	60.00	\$11.82	\$5.05	\$1.00	\$0.15	\$0.00	\$0.00	\$0.00	\$0.00	\$0.00	\$18.02	\$23.93
2nd Year	80.20	\$15.80	\$5.05	\$1.00	\$0.15	\$0.00	\$0.00	\$0.00	\$0.00	\$0.00	\$22.00	\$29.90

**Special Calculation Note :** No special calculations for this skilled craft wage rate are required at this time.

**Ratio :**

1 Journeymen to 1 Trainee

**Jurisdiction ( \* denotes special jurisdictional note ) :**

ADAMS, ALLEN, ASHLAND, ASHTABULA, ATHENS, AUGLAIZE, BELMONT, BROWN, BUTLER, CARROLL, CHAMPAIGN, CLARK, CLERMONT, CLINTON, COLUMBIANA, COSHOCTON, CRAWFORD, CUYAHOGA, DARKE, DEFIANCE, DELAWARE, ERIE, FAIRFIELD, FAYETTE, FRANKLIN, FULTON, GALLIA, GEAUGA, GREENE, GUERNSEY, HAMILTON, HANCOCK, HARDIN, HARRISON, HENRY, HIGHLAND, HOCKING, HOLMES, HURON, JACKSON, JEFFERSON, KNOX, LAKE, LAWRENCE, LICKING, LOGAN, LORAIN, LUCAS, MADISON, MAHONING, MARION, MEDINA, MEIGS, MERCER, MIAMI, MONROE, MONTGOMERY, MORGAN, MORROW, MUSKINGUM, NOBLE, OTTAWA, PAULDING, PERRY, PICKAWAY, PIKE, PORTAGE, PREBLE, PUTNAM, RICHLAND, ROSS, SANDUSKY, SCIOTO, SENECA, SHELBY, STARK, SUMMIT, TRUMBULL, TUSCARAWAS, UNION, VAN WERT, VINTON, WARREN, WASHINGTON, WAYNE, WILLIAMS, WOOD, WYANDOT

**Special Jurisdictional Note :** Industrial Dock and Door is the installation of overhead doors, roll up doors and dock leveling equipment

**Details :**

10/27/10 New Contract jc

# Prevailing Wage Rate Skilled Crafts

Name of Union: Cement Mason Bricklayer Local 97 HevHwy A

Change # : LCN01-2021fbHvyHwy

Craft : Bricklayer Effective Date : 06/01/2021 Last Posted : 05/26/2021

	BHR		Fringe Benefit Payments					Irrevocable Fund		Total PWR	Overtime Rate	
			H&W	Pension	App Tr.	Vac.	Annuity	Other	LECET (*)			MISC (*)
Classification												
Cement Mason Bricklayer Sewer Water Works A	\$30.40		\$9.50	\$7.57	\$0.48	\$0.00	\$0.00	\$0.00	\$0.00	\$0.00	\$47.95	\$63.15
Apprentice	Percent											
1st year	50.00	\$15.20	\$9.50	\$7.57	\$0.48	\$0.00	\$0.00	\$0.00	\$0.00	\$0.00	\$32.75	\$40.35
2nd year	70.00	\$21.28	\$9.50	\$7.57	\$0.48	\$0.00	\$0.00	\$0.00	\$0.00	\$0.00	\$38.83	\$49.47
3rd year	90.00	\$27.36	\$9.50	\$7.57	\$0.48	\$0.00	\$0.00	\$0.00	\$0.00	\$0.00	\$44.91	\$58.59

**Special Calculation Note : NOT FOR BUILDING CONSTRUCTION.**

**Ratio :**

- 3 Journeymen to 1 Apprentice
- 6 Journeymen to 2 Apprentice
- 9 Journeymen to 3 Apprentice
- 12 Journeymen to 4 Apprentice
- 15 Journeymen to 5 Apprentice

**Jurisdiction ( \* denotes special jurisdictional note ) :**

ADAMS, ALLEN, ASHLAND, ASHTABULA, ATHENS, AUGLAIZE, BELMONT, BROWN, BUTLER, CARROLL, CHAMPAIGN, CLARK, CLERMONT, CLINTON, COLUMBIANA, COSHOCTON, CRAWFORD, CUYAHOGA, DARKE, DEFIANCE, DELAWARE, ERIE, FAIRFIELD, FAYETTE, FRANKLIN, FULTON, GALLIA, GEAUGA, GREENE, GUERNSEY, HAMILTON, HANCOCK, HARDIN, HARRISON, HENRY, HIGHLAND, HOCKING, HOLMES, HURON, JACKSON, JEFFERSON, KNOX, LAKE, LAWRENCE, LICKING, LOGAN, LORAIN, LUCAS, MADISON, MAHONING, MARION, MEDINA, MEIGS, MERCER, MIAMI, MONROE, MONTGOMERY, MORGAN, MORROW, MUSKINGUM, NOBLE, OTTAWA, PAULDING, PERRY, PICKAWAY, PIKE, PORTAGE, PREBLE, PUTNAM, RICHLAND, ROSS, SANDUSKY, SCIOTO, SENECA, SHELBY, STARK, SUMMIT, TRUMBULL, TUSCARAWAS, UNION, VAN WERT, VINTON, WARREN, WASHINGTON, WAYNE

**Special Jurisdictional Note :**

**Details :**

(A) Highway Construction, Sewer, Waterworks And Utility Construction, Industrial & Building Site Heavy Construction, Airport Construction Or Railroad Construction Work.

(B) Power Plant, Tunnels, Amusement Park, Athletic Stadium Site Work ,Pollution Control,Sewer Plant, Waste Plant, & Water Treatment Facilities, Construction.

# Prevailing Wage Rate Skilled Crafts

Name of Union: Cement Mason Bricklayer Local 97 HevHwy B

Change # : LCN01-2021fbHvyHwy

Craft : Bricklayer Effective Date : 06/01/2021 Last Posted : 05/26/2021

	BHR		Fringe Benefit Payments						Irrevocable Fund		Total PWR	Overtime Rate
			H&W	Pension	App Tr.	Vac.	Annuity	Other	LECET (*)	MISC (*)		
Classification												
Cement Mason Bricklayer Power Plants Tunnels Amusement Parks B	\$31.39		\$9.50	\$7.57	\$0.49	\$0.00	\$0.00	\$0.00	\$0.00	\$0.00	\$48.95	\$64.64
Apprentice	Percent											
1st year	50.00	\$15.70	\$9.50	\$7.57	\$0.49	\$0.00	\$0.00	\$0.00	\$0.00	\$0.00	\$33.26	\$41.10
2nd year	70.00	\$21.97	\$9.50	\$7.57	\$0.49	\$0.00	\$0.00	\$0.00	\$0.00	\$0.00	\$39.53	\$50.52
3rd year	90.00	\$28.25	\$9.50	\$7.57	\$0.49	\$0.00	\$0.00	\$0.00	\$0.00	\$0.00	\$45.81	\$59.94

**Special Calculation Note : NOT FOR BUILDING CONSTRUCTION.**

**Ratio :**

- 3 Journeymen to 1 Apprentice
- 6 Journeymen to 2 Apprentice
- 9 Journeymen to 2 Apprentice
- 12 Journeymen to 4 Apprentice
- 15 Journeymen to 5 Apprentice

**Jurisdiction ( \* denotes special jurisdictional note ) :**

ADAMS, ALLEN, ASHLAND, ASHTABULA, ATHENS, AUGLAIZE, BELMONT, BROWN, BUTLER, CARROLL, CHAMPAIGN, CLARK, CLERMONT, CLINTON, COLUMBIANA, COSHOCTON, CRAWFORD, CUYAHOGA, DARKE, DEFIANCE, DELAWARE, ERIE, FAIRFIELD, FAYETTE, FRANKLIN, FULTON, GALLIA, GEAUGA, GREENE, GUERNSEY, HAMILTON, HANCOCK, HARDIN, HARRISON, HENRY, HIGHLAND, HOCKING, HOLMES, HURON, JACKSON, JEFFERSON, KNOX, LAKE, LAWRENCE, LICKING, LOGAN, LORAIN, LUCAS, MADISON, MAHONING, MARION, MEDINA, MEIGS, MERCER, MIAMI, MONROE, MONTGOMERY, MORGAN, MORROW, MUSKINGUM, NOBLE, OTTAWA, PAULDING, PERRY, PICKAWAY, PIKE, PORTAGE, PREBLE, PUTNAM, RICHLAND, ROSS, SANDUSKY, SCIOTO, SENECA, SHELBY, STARK, SUMMIT,

TRUMBULL, TUSCARAWAS, UNION, VAN WERT,  
VINTON, WARREN, WASHINGTON, WAYNE

**Special Jurisdictional Note :**

**Details :**

(A) Highway Construction, Sewer, Waterworks And Utility Construction, Industrial & Building Site Heavy Construction, Airport Construction Or Railroad Construction Work.

(B) Power Plant, Tunnels, Amusement Park, Athletic Stadium Site Work ,Pollution Control,Sewer Plant, Waste Plant, & Water Treatment Facilities, Construction.

# Prevailing Wage Rate Skilled Crafts

Name of Union: Cement Mason Statewide HevHwy

Change # : LCN01-2023ibCementHevHwy

Craft : Cement Mason Effective Date : 05/01/2023 Last Posted : 04/26/2023

	BHR		Fringe Benefit Payments					Irrevocable Fund		Total PWR	Overtime Rate	
			H&W	Pension	App Tr.	Vac.	Annuity	Other	LECET (*)			MISC (*)
<b>Classification</b>												
Cement Mason	\$33.74		\$8.50	\$7.55	\$0.65	\$0.00	\$2.25	\$0.07	\$0.00	\$0.00	\$52.76	\$69.63
<b>Apprentice</b>	<b>Percent</b>											
1st Year	70.00	\$23.62	\$8.50	\$7.55	\$0.65	\$0.00	\$2.25	\$0.07	\$0.00	\$0.00	\$42.64	\$54.45
2nd Year	80.00	\$26.99	\$8.50	\$7.55	\$0.65	\$0.00	\$2.25	\$0.07	\$0.00	\$0.00	\$46.01	\$59.51
3rd Year	90.00	\$30.37	\$8.50	\$7.55	\$0.65	\$0.00	\$2.25	\$0.07	\$0.00	\$0.00	\$49.39	\$64.57

**Special Calculation Note :** Other \$0.07 is for International Training Fund

**Ratio :**

1 Journeymen to 1 Apprentice  
2 to 1 thereafter

**Jurisdiction ( \* denotes special jurisdictional note ) :**

ADAMS, ALLEN, ASHLAND, ASHTABULA\*,  
ATHENS, AUGLAIZE, BELMONT, BROWN,  
BUTLER, CARROLL, CHAMPAIGN, CLARK,  
CLERMONT, CLINTON, COLUMBIANA,  
COSHOCOTON, CRAWFORD, CUYAHOGA\*,  
DARKE, DEFIANCE, DELAWARE, ERIE,  
FAIRFIELD, FAYETTE, FRANKLIN, FULTON\*,  
GALLIA, GEAUGA\*, GREENE, GUERNSEY,  
HAMILTON, HANCOCK\*, HARDIN, HARRISON,  
HENRY\*, HIGHLAND, HOCKING, HOLMES,  
HURON, JACKSON, JEFFERSON, KNOX, LAKE\*,  
LAWRENCE, LICKING, LOGAN, LORAIN,  
LUCAS\*, MADISON, MAHONING, MARION,  
MEDINA, MEIGS, MERCER, MIAMI, MONROE,  
MONTGOMERY, MORGAN, MORROW,  
MUSKINGUM, NOBLE, OTTAWA, PAULDING,  
PERRY, PICKAWAY, PIKE, PORTAGE, PREBLE,  
PUTNAM\*, RICHLAND, ROSS, SANDUSKY,  
SCIOTO, SENECA, SHELBY, STARK, SUMMIT,  
TRUMBULL, TUSCARAWAS, UNION, VAN WERT,  
VINTON, WARREN, WASHINGTON, WAYNE,  
WILLIAMS, WOOD\*, WYANDOT

**Special Jurisdictional Note :** (A) Highway Construction, Sewer, Waterworks And Utility Construction, Industrial & Building Site, Heavy

Construction, Airport Construction Or Railroad Construction Work, Power Plant, Tunnels, Amusement Park, Athletic Stadium Site Work, Pollution Control, Sewer Plant, Waste & Water Plant, Water Treatment Facilities Construction.

\*For Power Plant, Tunnels, Amusement Park, Athletic Stadium Site Work, Pollution Control, Sewer Plant, Waste & Water Plant, Water Treatment Facility Construction work in the following Counties: Ashtabula, Cuyahoga, Fulton, Geauga, Hancock, Henry, Lake, Lucas, Putnam and Wood Counties, those counties will use the Cement Mason Statewide Heavy Highway Exhibit B District 1 Wage Rate.

**Details :**

This rate replaces the previous Cement Mason Heavy Highway Statewide Rates (Exhibit A and Exhibit B rates), except for Cement Mason Statewide Heavy Highway Exhibit B Dist 1. sks

# Prevailing Wage Rate Skilled Crafts

Name of Union: Cement Mason Local 132 (Cincinnati)

Change # : LCN01-2023ibLoc132

Craft : Cement Effective Date : 06/01/2023 Last Posted : 05/31/2023

	BHR		Fringe Benefit Payments					Irrevocable Fund		Total PWR	Overtime Rate	
			H&W	Pension	App Tr.	Vac.	Annuity	Other	LECET (*)			MISC (*)
<b>Classification</b>												
Cement Mason	\$30.50		\$7.60	\$6.50	\$0.65	\$0.00	\$0.24	\$0.06	\$0.00	\$0.00	\$45.55	\$60.80
<b>Apprentice</b>	<b>Percent</b>											
1st yr	70.00	\$21.35	\$7.60	\$6.50	\$0.65	\$0.00	\$0.24	\$0.06	\$0.00	\$0.00	\$36.40	\$47.08
2nd yr	80.00	\$24.40	\$7.60	\$6.50	\$0.65	\$0.00	\$0.24	\$0.06	\$0.00	\$0.00	\$39.45	\$51.65
3rd yr	90.00	\$27.45	\$7.60	\$6.50	\$0.65	\$0.00	\$0.24	\$0.06	\$0.00	\$0.00	\$42.50	\$56.23

**Special Calculation Note :** No special calculations for this skilled craft wage rate are required at this time. \*Other is International Training

**Ratio :**

- 1 Journeymen to 1 Apprentice
- 4 Journeymen to 2 Apprentice
- 7 Journeymen to 3 Apprentice
- 10 Journeymen to 4 Apprentice

**Jurisdiction ( \* denotes special jurisdictional note ) :**

BROWN, BUTLER, CLERMONT, HAMILTON, HIGHLAND, WARREN

**Special Jurisdictional Note :**

**Details :**

- \*Cement Masons working on silo & slip form work shall receive \$.50 per hour over Journeyman scale.
- \*Cement Masons working on swinging scaffolds shall receive \$.50 per hour over Journeyman scale.
- \*Cement Masons working on high lifts from 20' and above shall receive \$.50 per hour over Journeyman scale.



# Prevailing Wage Rate Skilled Crafts

Name of Union: Cement Mason Statewide HevHwy Exhibit A District II

Change # : OCN01-2021fbCementHevHwy

Craft : Cement Mason Effective Date : 05/01/2021 Last Posted : 04/23/2021

	BHR		Fringe Benefit Payments						Irrevocable Fund		Total PWR	Overtime Rate
			H&W	Pension	App Tr.	Vac.	Annuity	Other	LECET (*)	MISC (*)		
<b>Classification</b>												
Cement Mason	\$31.15		\$8.25	\$7.35	\$0.65	\$0.00	\$2.25	\$0.07	\$0.00	\$0.00	\$49.72	\$65.29
<b>Apprentice</b>	<b>Percent</b>											
1st Year	70.00	\$21.80	\$8.25	\$7.35	\$0.65	\$0.00	\$2.25	\$0.07	\$0.00	\$0.00	\$40.37	\$51.28
2nd Year	80.00	\$24.92	\$8.25	\$7.35	\$0.65	\$0.00	\$2.25	\$0.07	\$0.00	\$0.00	\$43.49	\$55.95
3rd Year	90.00	\$28.03	\$8.25	\$7.35	\$0.65	\$0.00	\$2.25	\$0.07	\$0.00	\$0.00	\$46.60	\$60.62

**Special Calculation Note** : Other \$0.07 is for International Training Fund

**Ratio :**

1 Journeymen to 1 Apprentice  
2 to 1 thereafter

**Jurisdiction ( \* denotes special jurisdictional note ) :**

ALLEN, AUGLAIZE, BROWN, BUTLER, CARROLL, CLERMONT, COLUMBIANA, DEFIANCE, ERIE, HAMILTON, HARDIN, HIGHLAND, HOLMES, HURON, LOGAN, LORAIN, MAHONING, MEDINA, MERCER, OTTAWA, PAULDING, PORTAGE, SANDUSKY, SENECA, STARK, SUMMIT, TRUMBULL, TUSCARAWAS, VAN WERT, WARREN, WAYNE, WILLIAMS

**Special Jurisdictional Note** : (A) Highway Construction, Sewer, Waterworks And Utility Construction, Industrial & Building Site, Heavy Construction, Airport Construction Or Railroad Construction Work.

**Details :**

# Prevailing Wage Rate Skilled Crafts

Name of Union: Cement Mason Statewide Hwy Exhibit B District II

Change # : OCN01-2021fbCementHwy

Craft : Cement Mason Effective Date : 05/01/2021 Last Posted : 04/23/2021

	BHR		Fringe Benefit Payments					Irrevocable Fund		Total PWR	Overtime Rate	
			H&W	Pension	App Tr.	Vac.	Annuity	Other	LECET (*)			MISC (*)
Classification												
Cement Mason	\$32.02		\$8.25	\$7.35	\$0.65	\$0.00	\$2.25	\$0.07	\$0.00	\$0.00	\$50.59	\$66.60
Apprentice	Percent											
1st Year	70.00	\$22.41	\$8.25	\$7.35	\$0.65	\$0.00	\$2.25	\$0.07	\$0.00	\$0.00	\$40.98	\$52.19
2nd Year	80.00	\$25.62	\$8.25	\$7.35	\$0.65	\$0.00	\$2.25	\$0.07	\$0.00	\$0.00	\$44.19	\$56.99
3rd Year	90.00	\$28.82	\$8.25	\$7.35	\$0.65	\$0.00	\$2.25	\$0.07	\$0.00	\$0.00	\$47.39	\$61.80

**Special Calculation Note :** Other \$0.07 is for International Training Fund.

<p><b>Ratio :</b></p> <p>1 Journeymen to 1 Apprentice 2 to 1 thereafter</p>	<p><b>Jurisdiction ( * denotes special jurisdictional note ) :</b></p> <p>ALLEN, AUGLAIZE, BROWN, BUTLER, CARROLL, CLERMONT, COLUMBIANA, DEFIANCE, ERIE, HAMILTON, HARDIN, HIGHLAND, HOLMES, HURON, LOGAN, LORAIN, MAHONING, MEDINA, MERCER, OTTAWA, PAULDING, PORTAGE, SANDUSKY, SENECA, STARK, SUMMIT, TRUMBULL, TUSCARAWAS, VAN WERT, WARREN, WAYNE, WILLIAMS</p>
---	--

**Special Jurisdictional Note :** (B) Power Plant, Tunnels, Amusement Park, Athletic Stadium Site Work, Pollution Control, Sewer Plant, Waste Plant, & Water Treatment Facilities, Construction.

**Details :**

# Prevailing Wage Rate Skilled Crafts

Name of Union: Electrical Local 71 High Tension Pipe Type Cable

Change # : LCN01-2023ibLoc7

Craft : Lineman Effective Date : 03/01/2023 Last Posted : 03/01/2023

	BHR	Fringe Benefit Payments						Irrevocable Fund		Total PWR	Overtime Rate
		H&W	Pension	App Tr.	Vac.	Annuity	Other	LECET (*)	MISC (*)		
Classification											
Electrical Lineman	\$48.59	\$7.00	\$1.46	\$0.49	\$0.00	\$11.66	\$0.75	\$0.00	\$0.00	\$69.95	\$94.24
Certified Lineman Welder	\$48.59	\$7.00	\$1.46	\$0.49	\$0.00	\$11.66	\$0.75	\$0.00	\$0.00	\$69.95	\$94.24
Certified Cable Splicer	\$48.59	\$7.00	\$1.46	\$0.49	\$0.00	\$11.66	\$0.75	\$0.00	\$0.00	\$69.95	\$94.24
Operator A	\$43.54	\$7.00	\$1.31	\$0.44	\$0.00	\$10.45	\$0.75	\$0.00	\$0.00	\$63.49	\$85.26
Operator B	\$38.54	\$7.00	\$1.16	\$0.39	\$0.00	\$9.25	\$0.75	\$0.00	\$0.00	\$57.09	\$76.36
Operator C	\$30.97	\$7.00	\$0.93	\$0.31	\$0.00	\$7.43	\$0.75	\$0.00	\$0.00	\$47.39	\$62.88
Groundman 0-12 months Exp	\$24.30	\$7.00	\$0.73	\$0.24	\$0.00	\$5.83	\$0.75	\$0.00	\$0.00	\$38.85	\$51.00
Groundman 0-12 months Exp w/CDL	\$26.72	\$7.00	\$0.80	\$0.27	\$0.00	\$6.41	\$0.75	\$0.00	\$0.00	\$41.95	\$55.31
Groundman 1 yr or more	\$26.72	\$7.00	\$0.80	\$0.27	\$0.00	\$6.41	\$0.75	\$0.00	\$0.00	\$41.95	\$55.31
Groundman 1 yr or more w/CDL	\$31.58	\$7.00	\$0.95	\$0.32	\$0.00	\$7.58	\$0.75	\$0.00	\$0.00	\$48.18	\$63.97
Equipment Mechanic A	\$38.54	\$7.00	\$1.16	\$0.39	\$0.00	\$9.25	\$0.75	\$0.00	\$0.00	\$57.09	\$76.36
Equipment Mechanic B	\$34.75	\$7.00	\$1.04	\$0.35	\$0.00	\$8.34	\$0.75	\$0.00	\$0.00	\$52.23	\$69.60
Equipment Mechanic C	\$30.97	\$7.00	\$0.93	\$0.31	\$0.00	\$7.43	\$0.75	\$0.00	\$0.00	\$47.39	\$62.88

X-Ray Technician	\$48.59	\$7.00	\$1.46	\$0.49	\$0.00	\$11.66	\$0.75	\$0.00	\$0.00	\$69.95	\$94.24	
<b>Apprentice</b>	<b>Percent</b>											
1st 1000 hrs	60.00	\$29.15	\$7.00	\$0.87	\$0.29	\$0.00	\$7.00	\$0.75	\$0.00	\$0.00	\$45.06	\$59.64
2nd 1000 hrs	65.00	\$31.58	\$7.00	\$0.95	\$0.32	\$0.00	\$7.58	\$0.75	\$0.00	\$0.00	\$48.18	\$63.98
3rd 1000 hrs	70.00	\$34.01	\$7.00	\$1.02	\$0.34	\$0.00	\$8.16	\$0.75	\$0.00	\$0.00	\$51.28	\$68.29
4th 1000 hrs	75.00	\$36.44	\$7.00	\$1.09	\$0.36	\$0.00	\$8.75	\$0.75	\$0.00	\$0.00	\$54.39	\$72.61
5th 1000 hrs	80.00	\$38.87	\$7.00	\$1.17	\$0.39	\$0.00	\$9.33	\$0.75	\$0.00	\$0.00	\$57.51	\$76.95
6th 1000 hrs	85.00	\$41.30	\$7.00	\$1.24	\$0.41	\$0.00	\$9.91	\$0.75	\$0.00	\$0.00	\$60.61	\$81.26
7th 1000 hrs	90.00	\$43.73	\$7.00	\$1.31	\$0.44	\$0.00	\$10.50	\$0.75	\$0.00	\$0.00	\$63.73	\$85.60

**Special Calculation Note : Other is Health Retirement Account**

**Operator "A"**

John Henry Rock Drill, D-6 (or equivalent) and above, Trackhoe Digger, (320 Track excavator), Cranes (greater then 25 tons and less than 45 tons).

**Operator "B"**

Cranes (greater than 6 tons and up to 25 tons), Backhoes, Road Tractor, Dozer up to D-5, Pressure Digger- wheeled or tracked, all Tension wire Stringing equipment.

**Operator "C"**

Trench, Backhoe, Riding type vibratory Compactor, Ground Rod Driver, Boom Truck (6 ton & below), Skid Steer Loaders, Material Handler.

\*All Operators of cranes 45 ton or larger shall be paid the journeyman rate of pay. \$0.30 is for Health Retirement Account.

**Ratio :**

1 Journeyman to 1 Apprentice

**Jurisdiction ( \* denotes special jurisdictional note ) :**

ADAMS, ASHLAND, ASHTABULA, ATHENS, AUGLAIZE, BELMONT, BROWN, BUTLER, CARROLL, CHAMPAIGN, CLARK, CLERMONT, CLINTON, COLUMBIANA, COSHOCTON, CRAWFORD, CUYAHOGA, DARKE, DELAWARE, FAIRFIELD, FAYETTE, FRANKLIN, GALLIA, GEAUGA, GREENE, GUERNSEY, HAMILTON, HARRISON, HIGHLAND, HOCKING, HOLMES, JACKSON, JEFFERSON, KNOX, LAKE, LAWRENCE, LICKING, LOGAN, LORAIN, MADISON, MAHONING, MARION, MEDINA, MEIGS, MERCER, MIAMI, MONROE, MONTGOMERY, MORGAN, MORROW, MUSKINGUM, NOBLE, PERRY, PICKAWAY, PIKE, PORTAGE, PREBLE, RICHLAND, ROSS, SCIOTO,

SHELBY, STARK, SUMMIT, TRUMBULL,  
TUSCARAWAS, UNION, VINTON, WARREN,  
WASHINGTON, WAYNE

**Special Jurisdictional Note :**

**Details :**

Heli - Arc Welding will be paid \$.30 above Journeyman rate. Additional compensation of 10% over the Journeyman Lineman and Journeyman Technician for performing work on structures outside of buildings such as water towers, smoke stacks, radio and television towers, more than 75' above the ground.

# Prevailing Wage Rate Skilled Crafts

Name of Union: Electrical Local 71 Outside Cincinnati

Change # : LCN01-2023ibLoc71Cincinnati

Craft : Lineman Effective Date : 03/01/2023 Last Posted : 03/01/2023

	BHR	Fringe Benefit Payments						Irrevocable Fund		Total PWR	Overtime Rate
		H&W	Pension	App Tr.	Vac.	Annuity	Other	LECET (*)	MISC (*)		
Classification											
Electrical Lineman	\$43.02	\$7.00	\$1.29	\$0.43	\$0.00	\$8.60	\$0.56	\$0.00	\$0.00	\$60.90	\$82.41
Traffic Signal & Lighting Journeyman	\$41.43	\$7.00	\$1.24	\$0.41	\$0.00	\$8.29	\$0.56	\$0.00	\$0.00	\$58.93	\$79.64
Equipment Operator	\$37.78	\$7.00	\$1.13	\$0.38	\$0.00	\$7.56	\$0.56	\$0.00	\$0.00	\$54.41	\$73.30
Groundman 0-12 months (W/O CDL)	\$22.91	\$7.00	\$0.69	\$0.23	\$0.00	\$4.58	\$0.56	\$0.00	\$0.00	\$35.97	\$47.42
Groundman 0-21 Months (W/CDL)	\$25.03	\$7.00	\$0.75	\$0.25	\$0.00	\$5.01	\$0.56	\$0.00	\$0.00	\$38.60	\$51.12
Groundman 1 Year or More (W/CDL)	\$27.71	\$7.00	\$0.81	\$0.28	\$0.00	\$5.43	\$0.56	\$0.00	\$0.00	\$41.79	\$55.65
Traffic Signal Apprentices											
1st 1,000 hours	\$24.86	\$7.00	\$0.75	\$0.25	\$0.00	\$4.97	\$0.56	\$0.00	\$0.00	\$38.39	\$50.82
2nd 1,000 hours	\$26.93	\$7.00	\$0.81	\$0.27	\$0.00	\$5.39	\$0.56	\$0.00	\$0.00	\$40.96	\$54.43
3rd 1,000 hours	\$29.00	\$7.00	\$0.87	\$0.29	\$0.00	\$5.80	\$0.56	\$0.00	\$0.00	\$43.52	\$58.02
4th 1,000 hours	\$31.07	\$7.00	\$0.93	\$0.31	\$0.00	\$6.21	\$0.56	\$0.00	\$0.00	\$46.08	\$61.62
5th 1,000 hours	\$33.14	\$7.00	\$0.99	\$0.33	\$0.00	\$6.63	\$0.56	\$0.00	\$0.00	\$48.65	\$65.22
6th 1,000 hours	\$37.29	\$7.00	\$1.12	\$0.37	\$0.00	\$7.46	\$0.56	\$0.00	\$0.00	\$53.80	\$72.45

Apprentice Lineman	Percent											
	1st 1,000 Hours	60.00	\$25.81	\$7.00	\$0.77	\$0.26	\$0.00	\$5.16	\$0.56	\$0.00	\$0.00	\$39.56
2nd 1,000 Hours	65.00	\$27.96	\$7.00	\$0.84	\$0.28	\$0.00	\$5.59	\$0.56	\$0.00	\$0.00	\$42.23	\$56.21
3rd 1,000 Hours	70.00	\$30.11	\$7.00	\$0.90	\$0.30	\$0.00	\$6.02	\$0.56	\$0.00	\$0.00	\$44.89	\$59.95
4th 1,000 Hours	75.00	\$32.27	\$7.00	\$0.97	\$0.32	\$0.00	\$6.54	\$0.56	\$0.00	\$0.00	\$47.66	\$63.79
5th 1,000 Hours	80.00	\$34.42	\$7.00	\$1.03	\$0.34	\$0.00	\$6.88	\$0.56	\$0.00	\$0.00	\$50.23	\$67.43
6th 1,000 Hours	85.00	\$36.57	\$7.00	\$1.10	\$0.37	\$0.00	\$7.31	\$0.56	\$0.00	\$0.00	\$52.91	\$71.19
7th 1,000 Hours	90.00	\$38.72	\$7.00	\$1.16	\$0.39	\$0.00	\$7.74	\$0.56	\$0.00	\$0.00	\$55.57	\$74.93

**Special Calculation Note :** Other is for Safety and Education Fund (\$0.06) And HRA (\$0.50).

**Ratio :**

1 Journeymen to 1 Apprentice

**Jurisdiction ( \* denotes special jurisdictional note ) :**

BROWN, BUTLER, CLERMONT, HAMILTON, WARREN

**Special Jurisdictional Note :**

**Details :**

A groundman when directed shall assist a Journeyman in the performance of his/her work on the ground, including the use of hand tools. A Groundman under no circumstances shall climb poles, towers, ladders, or work from an elevated platform or bucket truck.

No more than three (3) Groundmen shall work alone. Jobs with more than three Groundmen shall be supervised by a Groundcrew Foreman, Journeyman Lineman, Journeyman Traffic Signal Technician or an Equipment Operator.

Scope of Work: installation and maintenance of highway and street lighting, highway and street sign lighting, electronic message boards and traffic control systems, camera systems, traffic signal work, substation and line construction including overhead and underground projects for private and industrial work as in accordance with the IBEW Constitution. This Agreement includes the operation of all tools and equipment necessary for the installation of the above projects.

# Prevailing Wage Rate Skilled Crafts

Name of Union: Electrical Local 71 Outside Utility Power

Change # : LCN01-2023ibLoc7

Craft : Lineman Effective Date : 03/01/2023 Last Posted : 03/01/2023

	BHR	Fringe Benefit Payments						Irrevocable Fund		Total PWR	Overtime Rate
		H&W	Pension	App Tr.	Vac.	Annuity	Other	LECET (*)	MISC (*)		
Classification											
Electrical Lineman	\$46.03	\$7.00	\$1.38	\$0.46	\$0.00	\$11.05	\$0.75	\$0.00	\$0.00	\$66.67	\$89.68
Substation Technician	\$46.03	\$7.00	\$1.38	\$0.46	\$0.00	\$11.05	\$0.75	\$0.00	\$0.00	\$66.67	\$89.68
Cable Splicer	\$48.21	\$7.00	\$1.45	\$0.48	\$0.00	\$11.57	\$0.75	\$0.00	\$0.00	\$69.46	\$93.56
Operator A	\$41.26	\$7.00	\$1.24	\$0.41	\$0.00	\$9.90	\$0.75	\$0.00	\$0.00	\$60.56	\$81.19
Operator B	\$36.47	\$7.00	\$1.09	\$0.36	\$0.00	\$8.75	\$0.75	\$0.00	\$0.00	\$54.42	\$72.65
Operator C	\$29.28	\$7.00	\$0.88	\$0.29	\$0.00	\$7.03	\$0.75	\$0.00	\$0.00	\$45.23	\$59.87
Groundman 0-12 months Exp	\$23.02	\$7.00	\$0.69	\$0.23	\$0.00	\$5.52	\$0.75	\$0.00	\$0.00	\$37.21	\$48.72
Groundman 0-12 months Exp w/CDL	\$25.32	\$7.00	\$0.76	\$0.25	\$0.00	\$6.08	\$0.75	\$0.00	\$0.00	\$40.16	\$52.82
Groundman 1 yr or more	\$25.32	\$7.00	\$0.76	\$0.25	\$0.00	\$6.08	\$0.75	\$0.00	\$0.00	\$40.16	\$52.82
Groundman 1 yr or more w/CDL	\$29.92	\$7.00	\$0.90	\$0.30	\$0.00	\$7.18	\$0.75	\$0.00	\$0.00	\$46.05	\$61.01
Equipment Mechanic A	\$36.47	\$7.00	\$1.09	\$0.36	\$0.00	\$8.75	\$0.75	\$0.00	\$0.00	\$54.42	\$72.65
Equipment Mechanic B	\$32.88	\$7.00	\$0.99	\$0.33	\$0.00	\$7.89	\$0.75	\$0.00	\$0.00	\$49.84	\$66.28
Equipment Mechanic C	\$29.28	\$7.00	\$0.88	\$0.29	\$0.00	\$7.03	\$0.75	\$0.00	\$0.00	\$45.23	\$59.87
Line Truck w/uuger	\$32.28	\$7.00	\$0.97	\$0.32	\$0.00	\$7.75	\$0.75	\$0.00	\$0.00	\$49.07	\$65.21



Apprentice	Percent											
1st 1000 hrs	60.00	\$27.62	\$7.00	\$0.83	\$0.28	\$0.00	\$6.63	\$0.75	\$0.00	\$0.00	\$43.11	\$56.92
2nd 1000 hrs	65.00	\$29.92	\$7.00	\$0.90	\$0.30	\$0.00	\$7.18	\$0.75	\$0.00	\$0.00	\$46.05	\$61.01
3rd 1000 hrs	70.00	\$32.22	\$7.00	\$0.97	\$0.32	\$0.00	\$7.73	\$0.75	\$0.00	\$0.00	\$48.99	\$65.10
4th 1000 hrs	75.00	\$34.52	\$7.00	\$1.04	\$0.35	\$0.00	\$8.28	\$0.75	\$0.00	\$0.00	\$51.94	\$69.20
5th 1000 hrs	80.00	\$36.82	\$7.00	\$1.10	\$0.37	\$0.00	\$8.84	\$0.75	\$0.00	\$0.00	\$54.88	\$73.30
6th 1000 hrs	85.00	\$39.13	\$7.00	\$1.17	\$0.39	\$0.00	\$9.39	\$0.75	\$0.00	\$0.00	\$57.83	\$77.39
7th 1000 hrs	90.00	\$41.43	\$7.00	\$1.24	\$0.41	\$0.00	\$9.94	\$0.75	\$0.00	\$0.00	\$60.77	\$81.48

**Special Calculation Note : Other is Health Retirement Account**

**Operator "A"**

John Henry Rock Drill, D-6 (or equivalent) and above, Trackhoe Digger, (320 Track excavator), Cranes (greater then 25 tons and less than 45 tons).

**Operator "B"**

Cranes (greater than 6 tons and up to 25 tons), Backhoes, Road Tractor, Dozer up to D-5, Pressure Digger- wheeled or tracked, all Tension wire Stringing equipment.

**Operator "C"**

Trench, Backhoe, Riding type vibratory Compactor, Ground Rod Driver, Boom Truck (6 ton & below), Skid Steer Loaders, Material Handler.

**Ratio :**

(1) Journeyman Lineman to (1) Apprentice

**Jurisdiction ( \* denotes special jurisdictional note ) :**

ADAMS, ASHLAND, ASHTABULA, ATHENS, AUGLAIZE, BELMONT, BROWN, BUTLER, CARROLL, CHAMPAIGN, CLARK, CLERMONT, CLINTON, COLUMBIANA, COSHOCTON, CRAWFORD, CUYAHOGA, DARKE, DELAWARE, FAIRFIELD, FAYETTE, FRANKLIN, GALLIA, GEAUGA, GREENE, GUERNSEY, HAMILTON, HARRISON, HIGHLAND, HOCKING, HOLMES, JACKSON, JEFFERSON, KNOX, LAKE, LAWRENCE, LICKING, LOGAN, LORAIN, MADISON, MAHONING, MARION, MEDINA, MEIGS, MERCER, MIAMI, MONROE, MONTGOMERY, MORGAN, MORROW, MUSKINGUM, NOBLE, PERRY, PICKAWAY, PIKE, PORTAGE, PREBLE, RICHLAND, ROSS, SCIOTO, SHELBY, STARK, SUMMIT, TRUMBULL, TUSCARAWAS, UNION, VINTON, WARREN, WASHINGTON, WAYNE

**Special Jurisdictional Note : 0.30 is for Health Retirement Account.**

**Details :**

Heli - Arc Welding will be paid \$.30 above Journeyman rate. Additional compensation of 10% over the

Journeyman Lineman and Journeyman Technician for performing work on structures outside of buildings such as water towers, smoke stacks, radio and television towers, more than 75' above the ground.

# Prevailing Wage Rate Skilled Crafts

Name of Union: Electrical Local 71 Voice Data Video Outside

Change # : LCR01-2017fbLoc71VDV

Craft : Voice Data Video Effective Date : 10/18/2017 Last Posted : 10/18/2017

	BHR	Fringe Benefit Payments						Irrevocable Fund		Total PWR	Overtime Rate
		H&W	Pension	App Tr.	Vac.	Annuity	Other	LECET (*)	MISC (*)		
Classification											
Electrical Installer Technician I	\$23.46	\$5.50	\$0.70	\$0.00	\$0.00	\$0.30	\$0.00	\$0.00	\$0.00	\$29.96	\$41.69
Installer Technician II	\$22.37	\$5.50	\$0.67	\$0.00	\$0.00	\$0.30	\$0.00	\$0.00	\$0.00	\$28.84	\$40.03
Equipment Operator I	\$22.37	\$5.50	\$0.67	\$0.00	\$0.00	\$0.30	\$0.00	\$0.00	\$0.00	\$28.84	\$40.03
Equipment Operator II	\$18.43	\$5.50	\$0.55	\$0.00	\$0.00	\$0.30	\$0.00	\$0.00	\$0.00	\$24.78	\$33.99
Installer /Repair Outside	\$22.37	\$5.50	\$0.67	\$0.00	\$0.00	\$0.30	\$0.00	\$0.00	\$0.00	\$28.84	\$40.03
Ground Driver W/CDL	\$15.83	\$5.50	\$0.47	\$0.00	\$0.00	\$0.30	\$0.00	\$0.00	\$0.00	\$22.10	\$30.01
Groundman	\$13.24	\$5.50	\$0.40	\$0.00	\$0.00	\$0.30	\$0.00	\$0.00	\$0.00	\$19.44	\$26.06
Cable Splicer	\$23.46	\$5.50	\$0.70	\$0.00	\$0.00	\$0.30	\$0.00	\$0.00	\$0.00	\$29.96	\$41.69

**Special Calculation Note :**

**Ratio :**

**Jurisdiction ( \* denotes special jurisdictional note ) :**

ADAMS, ASHLAND, ASHTABULA, ATHENS, AUGLAIZE, BELMONT, BROWN, BUTLER, CARROLL, CHAMPAIGN, CLARK, CLERMONT, CLINTON, COLUMBIANA, COSHOCTON, CRAWFORD, CUYAHOGA, DARKE, DELAWARE, FAIRFIELD, FAYETTE, FRANKLIN, GALLIA, GEauga, GREENE, GUERNSEY, HAMILTON, HARRISON, HIGHLAND, HOCKING, HOLMES, JACKSON, JEFFERSON, KNOX, LAKE, LAWRENCE, LICKING, LOGAN, LORAIN, MADISON, MAHONING, MARION, MEDINA, MEIGS, MERCER, MIAMI, MONROE, MONTGOMERY, MORGAN, MORROW, MUSKINGUM, NOBLE, PERRY, PICKAWAY, PIKE, PORTAGE, PREBLE, RICHLAND, ROSS, SCIOTO, SHELBY, STARK, SUMMIT,

**Special Jurisdictional Note :**

**Details :**

Cable Splicer: Inspect and test lines or cables, analyze results, and evaluate transmission characteristics. Cover conductors with insulation or seal splices with moisture-proof covering. Install, splice, test, and repair cables using tools or mechanical equipment. This will include the splicing of fiber.

Journeyman Technician I: Must know all aspects of telephone and cable work. This is to include aerial, underground, and manhole work. Must know how to climb and run bucket. Must have all the tools required to perform these tasks. Must be able to be responsible for the safety of the crew at all times. Must also have CDL license and have at least 5 years experience.

Installer/Repairman: Perform tasks of repairing, installing, and testing phone and CATV services.

Technician II: Have at least three years of telephone and CATV experience. Must have the knowledge of underground, aerial, and manhole work. Must be able to climb and operate bucket. Must have CDL. Must have all tools needed to perform these tasks.

Equipment Operator I: Able to operate a digger derrick or bucket truck. Have at least 5 years of experience and must have a valid CDL license.

Equipment Operator II: Able to operate a digger derrick or bucket truck. Have at least 3 years of experience and must have a valid CDL license.

Groundman W/CDL: Must have a valid CDL license and be able to perform tasks such as: climbing poles, pulling downguys, making up material, and getting appropriate tools for the job. Must have at least 5 year's experience.

Groundman: Perform tasks such as: climbing poles, pulling downguys, making up material, and getting appropriate tools for the job. Experience 0-5 years.

# Prevailing Wage Rate Skilled Crafts

Name of Union: Electrical Local 82 Inside

Change # : LCN01-2022ibLoc82in

Craft : Electrical Effective Date : 12/05/2022 Last Posted : 11/23/2022

	BHR		Fringe Benefit Payments						Irrevocable Fund		Total PWR	Overtime Rate
			H&W	Pension	App Tr.	Vac.	Annuity	Other	LECET (*)	MISC (*)		
Classification												
Electrician	\$34.25		\$7.45	\$9.63	\$0.58	\$0.00	\$3.60	\$0.00	\$0.00	\$0.00	\$55.51	\$72.63
<b>Apprentice</b>	Percent											
1st period 0 - 1000 hrs	42.00	\$14.39	\$4.07	\$0.63	\$0.24	\$0.00	\$0.00	\$0.00	\$0.00	\$0.00	\$19.32	\$26.52
2nd period 1001-2000 hrs	42.00	\$14.39	\$4.07	\$0.63	\$0.24	\$0.00	\$0.00	\$0.00	\$0.00	\$0.00	\$19.32	\$26.52
3rd period 2001-3500 hrs	47.00	\$16.10	\$6.92	\$4.52	\$0.27	\$0.00	\$1.69	\$0.00	\$0.00	\$0.00	\$29.50	\$37.55
4th period 3501-5000 hrs	52.00	\$17.81	\$6.97	\$5.00	\$0.30	\$0.00	\$1.87	\$0.00	\$0.00	\$0.00	\$31.95	\$40.85
5th period 5001-6500 hrs	62.02	\$21.24	\$7.07	\$5.97	\$0.36	\$0.00	\$2.23	\$0.00	\$0.00	\$0.00	\$36.87	\$47.49
6th period 6501-8000 hrs	77.00	\$26.37	\$7.22	\$7.41	\$0.45	\$0.00	\$2.77	\$0.00	\$0.00	\$0.00	\$44.22	\$57.41

**Special Calculation Note :** No special calculations for this skilled craft wage rate are required at this time.

**Ratio :**

1 to 3 Journeymen to 3 Apprentices  
4 to 6 Journeymen to 6 Apprentices  
per job site

**Jurisdiction ( \* denotes special jurisdictional note ) :**

CLINTON, DARKE, GREENE, MIAMI,  
MONTGOMERY, PREBLE, WARREN\*

**Special Jurisdictional Note :** The following townships in Warren County are included: Clearcreek, Franklin and Wayne.

**Details :**

Only correction made on 6-19-19 was the 5th year Apprentice fb.

# Prevailing Wage Rate Skilled Crafts

Name of Union: Electrical Local 82 Inside Lt Commercial South West

Change # : LCNO1-2021sksLoc82in

Craft : Electrical Effective Date : 03/30/2022 Last Posted : 03/30/2022

	BHR		Fringe Benefit Payments					Irrevocable Fund		Total PWR	Overtime Rate	
			H&W	Pension	App Tr.	Vac.	Annuity	Other	LECET (*)	MISC (*)		
Classification												
Electrician	\$33.25		\$6.47	\$9.35	\$0.72	\$0.00	\$3.50	\$0.00	\$0.00	\$0.00	\$53.29	\$69.91
CE-3 12,001- 14,000	\$24.66		\$6.47	\$0.74	\$0.72	\$0.00	\$0.74	\$0.00	\$0.00	\$0.10	\$33.43	\$45.76
CE-2 10,001- 12,000 Hrs	\$19.56		\$6.47	\$0.59	\$0.72	\$0.00	\$0.59	\$0.00	\$0.00	\$0.10	\$28.03	\$37.81
CE-1 8,001- 10,000 Hrs	\$17.86		\$6.47	\$0.54	\$0.72	\$0.00	\$0.54	\$0.00	\$0.00	\$0.10	\$26.23	\$35.16
CW-4 6,001- 8,000 Hrs	\$16.16		\$6.47	\$0.48	\$0.72	\$0.00	\$0.48	\$0.00	\$0.00	\$0.10	\$24.41	\$32.49
CW-3 4,001- 6,000 Hrs	\$14.46		\$6.47	\$0.43	\$0.72	\$0.00	\$0.43	\$0.00	\$0.00	\$0.10	\$22.61	\$29.84
CW-2 2,001- 4,000 Hrs	\$13.61		\$6.47	\$0.41	\$0.72	\$0.00	\$0.41	\$0.00	\$0.00	\$0.10	\$21.72	\$28.52
CW-1 0- 2,000 Hrs	\$12.76		\$6.47	\$0.38	\$0.72	\$0.00	\$0.38	\$0.00	\$0.00	\$0.10	\$20.81	\$27.19
<b>Apprentice</b>	<b>Percent</b>											
1st period 0 - 1000 hrs	42.00	\$13.97	\$4.07	\$0.62	\$0.24	\$0.00	\$0.00	\$0.00	\$0.00	\$0.00	\$18.89	\$25.88
2nd period 1001-2000 hrs	42.00	\$13.97	\$4.07	\$0.62	\$0.24	\$0.00	\$0.00	\$0.00	\$0.00	\$0.00	\$18.89	\$25.88
3rd period 2001-3500 hrs	47.00	\$15.63	\$6.92	\$4.39	\$0.27	\$0.00	\$1.65	\$0.00	\$0.00	\$0.00	\$28.86	\$36.67
4th period 3501-5000 hrs	52.00	\$17.29	\$6.97	\$4.86	\$0.29	\$0.00	\$1.82	\$0.00	\$0.00	\$0.00	\$31.23	\$39.88
5th period 5001-6500	62.00	\$20.61	\$7.07	\$5.80	\$0.35	\$0.00	\$2.17	\$0.00	\$0.00	\$0.00	\$36.01	\$46.31

hrs												
6th period 6501-8000 hrs	77.00	\$25.60	\$7.22	\$7.20	\$0.44	\$0.00	\$2.70	\$0.00	\$0.00	\$0.00	\$43.16	\$55.96

**Special Calculation Note :** \*Misc amount is Administrative Fees

**Ratio :**

1 to 3 Journeymen to 3 Apprentices  
 4 to 6 Journeymen to 6 Apprentices  
 per job site

**Jurisdiction ( \* denotes special jurisdictional note ) :**

CLINTON, DARKE, GREENE, MIAMI,  
 MONTGOMERY, PREBLE, WARREN\*

**Construction Electrician and Construction Wireman Ratio**

There shall be a minimum ratio of one inside Journeyman to every (4) employees of different classification per jobsite. An inside Journeyman Wireman is required on the project as the fifth (5th) worker or when apprentices are used.

**Special Jurisdictional Note :** The following townships in Warren County are included: Clearcreek, Franklin and Wayne.

The scope of work for the light commercial agreement shall apply to the following facilities not to exceed 200,000 square feet; office buildings, shopping centers, auto sales agencies and garages, churches, funeral homes, nursing homes, hotels, retail and wholesale facilities, small stand-alone manufacturing facilities when free standing and not part of a larger facility (not to exceed 50,000 square fee), solar projects (500 panels or less) unless otherwise covered under the agreement, lighting retrofits (when not associated with remodels involving branch re-circuiting) lighting retrofits shall be defined as the changing of lamps and ballasts in existing light fixtures and shall also include the one for one replacement of existing fixtures, warehouses, gas stations, food service centers, restaurants, entertainment facilities, hospitals, clinics, motels, residential buildings.

**Details :**

# Prevailing Wage Rate Skilled Crafts

Name of Union: Electrical Local 82 Lightning Rod

Change # : LCN02-2022ibLoc82

Craft : Electrical Effective Date : 12/05/2022 Last Posted : 11/23/2022

	BHR	Fringe Benefit Payments						Irrevocable Fund		Total PWR	Overtime Rate
		H&W	Pension	App Tr.	Vac.	Annuity	Other	LECET (*)	MISC (*)		
Classification											
Electrical Lightning Rod Technican	\$32.79	\$7.45	\$9.58	\$0.00	\$0.00	\$3.50	\$0.00	\$0.00	\$0.00	\$53.32	\$69.71

**Special Calculation Note :** No Apprentice approved by OSAC.

**Ratio :**

**Jurisdiction ( \* denotes special jurisdictional note ) :**

CLINTON, DARKE, GREENE, MIAMI,  
MONTGOMERY, PREBLE, WARREN\*

**Special Jurisdictional Note :** The following townships in Warren County are included: (Clearcreek, Franklin and Wayne)

**Details :**



# Prevailing Wage Rate Skilled Crafts

Name of Union: Electrical Local 82 Voice Data Video

Change # : LCN01-2023ibLoc82VDV

Craft : Voice Data Video Effective Date : 11/27/2023 Last Posted : 11/22/2023

	BHR		Fringe Benefit Payments					Irrevocable Fund		Total PWR	Overtime Rate	
			H&W	Pension	App Tr.	Vac.	Annuity	Other	LECET (*)			MISC (*)
Classification												
Electrical Installer Technician A	\$27.70		\$6.70	\$6.83	\$0.53	\$0.00	\$0.00	\$0.00	\$0.00	\$0.00	\$41.76	\$55.61
Electrical Installer Technician B	\$26.32		\$6.70	\$6.79	\$0.50	\$0.00	\$0.00	\$0.00	\$0.00	\$0.00	\$40.31	\$53.47
JW Installer Technician	\$24.93		\$6.70	\$6.75	\$0.47	\$0.00	\$0.00	\$0.00	\$0.00	\$0.00	\$38.85	\$51.32
NON BICSI Installer	\$18.01		\$3.94	\$0.54	\$0.34	\$0.00	\$0.00	\$0.00	\$0.00	\$0.00	\$22.83	\$31.83
Apprentice	Percent											
1st 0-1000 hours	55.00	\$15.24	\$3.94	\$3.76	\$0.29	\$0.00	\$0.00	\$0.00	\$0.00	\$0.00	\$23.23	\$30.84
2nd 1001-2000 hours	55.00	\$15.24	\$3.94	\$3.76	\$0.29	\$0.00	\$0.00	\$0.00	\$0.00	\$0.00	\$23.23	\$30.84
3rd 2001-3000 hours	65.00	\$18.00	\$6.65	\$4.44	\$0.34	\$0.00	\$0.00	\$0.00	\$0.00	\$0.00	\$29.44	\$38.44
4th 3001-4000 hours	65.00	\$18.00	\$6.65	\$4.44	\$0.34	\$0.00	\$0.00	\$0.00	\$0.00	\$0.00	\$29.44	\$38.44
5th 4001-5000 hours	75.00	\$20.77	\$6.66	\$6.62	\$0.39	\$0.00	\$0.00	\$0.00	\$0.00	\$0.00	\$34.45	\$44.83
6th 5001-6000 hours	75.00	\$20.77	\$6.66	\$6.62	\$0.39	\$0.00	\$0.00	\$0.00	\$0.00	\$0.00	\$34.45	\$44.83
7th 6001-7000 hours	80.00	\$22.16	\$6.67	\$6.66	\$0.42	\$0.00	\$0.00	\$0.00	\$0.00	\$0.00	\$35.91	\$46.99
8th 7001 hours	80.00	\$22.16	\$6.67	\$6.66	\$0.42	\$0.00	\$0.00	\$0.00	\$0.00	\$0.00	\$35.91	\$46.99
Cable Puller	50.00	\$13.85	\$3.94	\$0.42	\$0.26	\$0.00	\$0.25	\$0.00	\$0.00	\$0.00	\$18.72	\$25.65

**Special Calculation Note :** No special calculations for this skilled craft wage rate are required at this time.

**Ratio :**

1 Journeymen to 2 Apprentice

**Jurisdiction ( \* denotes special jurisdictional note ) :**

CLINTON, DARKE, GREENE, MIAMI,  
MONTGOMERY, PREBLE, WARREN\*

**Special Jurisdictional Note :** The following townships in Warren County are included: (Clearcreek, Franklin and Wayne)

**Details :**

Work covered but not limited to: installation which utilize transmission and/or transference of voice, sound, vision or digital for commercial, education, security and entertainment purposes for the following:

TV monitoring and surveillance, background-foreground music, intercom and telephone interconnect, inventory control systems, microwave transmission, multimedia, multiplex, nurse call system, radio page, school intercom, sound and low voltage master clock systems.

Fire Alarm work is excluded on all new construction sites or wherever the fire alarm system is installed in conduit.

All HVAC control work is not covered by this wage rate but by the Inside Electrical wage rate.

# Prevailing Wage Rate Skilled Crafts

Name of Union: Electrical Local 648 Voice Data Video

Change # : LCN01-2023ibLoc648VDV

Craft : Voice Data Video Effective Date : 11/27/2023 Last Posted : 11/22/2023

	BHR		Fringe Benefit Payments					Irrevocable Fund		Total PWR	Overtime Rate	
			H&W	Pension	App Tr.	Vac.	Annuity	Other	LECET (*)			MISC (*)
Classification												
Electrical Installer Technician A	\$29.30		\$6.70	\$0.88	\$0.56	\$0.00	\$4.40	\$0.00	\$0.00	\$0.00	\$41.84	\$56.49
Electrical Installer Technician B	\$27.84		\$6.70	\$0.84	\$0.53	\$0.00	\$4.40	\$0.00	\$0.00	\$0.00	\$40.31	\$54.23
JW Installer Technician B	\$26.37		\$6.70	\$0.79	\$0.50	\$0.00	\$4.40	\$0.00	\$0.00	\$0.00	\$38.76	\$51.95
Non BICSI Installer	\$19.05		\$3.94	\$0.57	\$0.36	\$0.00	\$2.00	\$0.00	\$0.00	\$0.00	\$25.92	\$35.45
Apprentice												
	Percent											
1st period 0-800 hrs	55.00	\$16.12	\$3.94	\$0.48	\$0.31	\$0.00	\$2.42	\$0.00	\$0.00	\$0.00	\$23.26	\$31.32
2nd period 801-1600 hrs	55.00	\$16.12	\$3.94	\$0.48	\$0.31	\$0.00	\$2.42	\$0.00	\$0.00	\$0.00	\$23.26	\$31.32
3rd period 1601-2400 hrs	65.00	\$19.05	\$6.65	\$0.57	\$0.36	\$0.00	\$2.86	\$0.00	\$0.00	\$0.00	\$29.48	\$39.01
4th period 2401-3200 hrs	65.00	\$19.05	\$6.65	\$0.57	\$0.36	\$0.00	\$2.86	\$0.00	\$0.00	\$0.00	\$29.48	\$39.01
5th period 3201-4000 hrs	75.00	\$21.98	\$6.66	\$0.66	\$0.42	\$0.00	\$4.40	\$0.00	\$0.00	\$0.00	\$34.12	\$45.10
6th period 4001-4800 hrs	75.00	\$21.98	\$6.66	\$0.66	\$0.42	\$0.00	\$4.40	\$0.00	\$0.00	\$0.00	\$34.12	\$45.10
7th period 4801-4900hr	80.00	\$23.44	\$6.67	\$0.70	\$0.45	\$0.00	\$4.40	\$0.00	\$0.00	\$0.00	\$35.66	\$47.38

8th period 4901- 5000hrs	80.00	\$23.44	\$6.67	\$0.70	\$0.45	\$0.00	\$4.40	\$0.00	\$0.00	\$0.00	\$35.66	\$47.38
Cable Puller	50.00	\$14.65	\$3.94	\$0.44	\$0.25	\$0.00	\$0.25	\$0.00	\$0.00	\$0.00	\$19.53	\$26.86

**Special Calculation Note :**

**Ratio :**

1 Technician to 2 Apprentice

**Jurisdiction ( \* denotes special jurisdictional note ) :**

BUTLER, WARREN\*

**Special Jurisdictional Note :** The following townships In Warren County are included: (Deerfield, Hamilton, Harlan, Massie, Salem, Turtle Creek, Union, and Washington)

**Details :**

The following work is excluded from the Teledata Technician work scope:

\*The installation of computer systems in industrial applications such as assembly lines, robotics, computer controller manufacturing systems.

\*The installation of conduit and/or raceways shall be installed by Inside Wireman. On sites where there is no Inside Wireman employed, the

Teledata Technician may install raceway or conduit not greater than 10 ft.

\*Fire Alarm work is excluded on all new construction sites or wherever the fire alarm system is installed in conduit

\*All HVAC control work.

# Prevailing Wage Rate Skilled Crafts

Name of Union: Electrical Local 648 Inside

Change # : LCN01-2023ibLoc648in

Craft : Electrical Effective Date : 09/13/2023 Last Posted : 09/13/2023

	BHR		Fringe Benefit Payments					Irrevocable Fund		Total PWR	Overtime Rate	
			H&W	Pension	App Tr.	Vac.	Annuity	Other	LECET (*)			MISC (*)
Classification												
Electrician	\$34.00		\$7.45	\$7.64	\$0.51	\$0.00	\$5.36	\$1.02	\$0.00	\$0.00	\$55.98	\$72.98
<b>Apprentice</b>		<b>Percent</b>										
1st period 0-1000 hrs	50.00	\$17.00	\$4.32	\$0.00	\$0.26	\$0.00	\$3.07	\$0.51	\$0.00	\$0.00	\$25.16	\$33.66
2nd period 1001- 2000 hrs	50.00	\$17.00	\$4.32	\$0.00	\$0.26	\$0.00	\$3.07	\$0.51	\$0.00	\$0.00	\$25.16	\$33.66
3rd period 2001- 3500 hrs	55.00	\$18.70	\$7.45	\$4.20	\$0.28	\$0.00	\$4.01	\$0.56	\$0.00	\$0.00	\$35.20	\$44.55
4th period 3501- 5000 hrs	60.00	\$20.40	\$7.45	\$4.58	\$0.31	\$0.00	\$4.15	\$0.61	\$0.00	\$0.00	\$37.50	\$47.70
5th period 5001- 6500 hrs	65.00	\$22.10	\$7.45	\$4.97	\$0.33	\$0.00	\$4.31	\$0.66	\$0.00	\$0.00	\$39.82	\$50.87
6th period 6501- 8000 hrs	75.00	\$25.50	\$7.45	\$5.73	\$0.38	\$0.00	\$4.59	\$0.77	\$0.00	\$0.00	\$44.42	\$57.17

**Special Calculation Note :** Other is NEBF (Natioanl Electrical Benifit Fund.)

**Ratio :**

1-3 Journeyman to 2 Apprentices or fraction thereof:  
 4-6 Journeymen to 4 Apprentice  
 7-9 Journeymen to 6 Apprentice  
 10-12 Journeymen to 8 Apprentice  
 first person assigned to any job site shall be a  
 journeyman

**Jurisdiction ( \* denotes special jurisdictional note ) :**

BUTLER, WARREN\*

**Special Jurisdictional Note :** In Warren County the following townships are included: (Deerfield, Hamilton, Harlan, Massie, Salem, Turtle Creek, Union, and Washington)

**Details :**

Electricians while splicing cable shall receive \$.50 an hour above the regular electrical rate.

All work that requires the use of gas masks or respirators, shall be paid 50% above the appropriate rate of pay. Work up to & including 40 feet shall be paid \$.50 over the journeyman rate. All work from a Boatswain Chair, Swinging Scaffold, or Barrel shall be at double the Journeyman rate. Workmen required to work 50 feet or more below the surface of the earth will be paid 50% above the Journeyman rate.

# Prevailing Wage Rate Skilled Crafts

Name of Union: Electrical Local 648 Lt Commercial South West

Change # : LCN01-2023ibLoc648in

Craft : Electrical Effective Date : 01/11/2023 Last Posted : 01/11/2023

	BHR	Fringe Benefit Payments						Irrevocable Fund		Total PWR	Overtime Rate
		H&W	Pension	App Tr.	Vac.	Annuity	Other	LECET (*)	MISC (*)		
Classification											
Electrician	\$33.00	\$7.35	\$7.80	\$0.50	\$0.00	\$4.80	\$0.99	\$0.00	\$0.20	\$54.64	\$71.14
CE-3 12,001- 14,000 Hrs	\$25.38	\$6.51	\$0.76	\$0.76	\$0.00	\$0.76	\$0.51	\$0.00	\$0.00	\$34.68	\$47.37
CE-2 10,001- 12,000 Hrs	\$20.13	\$6.51	\$0.60	\$0.76	\$0.00	\$0.60	\$0.51	\$0.00	\$0.00	\$29.11	\$39.17
CE-1 8,001- 10,000 Hrs	\$18.38	\$6.51	\$0.55	\$0.76	\$0.00	\$0.55	\$0.51	\$0.00	\$0.00	\$27.26	\$36.45
CW-4 6,001- 8,000 Hrs	\$16.63	\$6.51	\$0.50	\$0.76	\$0.00	\$0.50	\$0.51	\$0.00	\$0.00	\$25.41	\$33.72
CW-3 4,001- 6,000 Hrs	\$14.88	\$6.51	\$0.45	\$0.76	\$0.00	\$0.45	\$0.51	\$0.00	\$0.00	\$23.56	\$31.00
CW-2 2,001- 4,000 Hrs	\$14.00	\$6.51	\$0.42	\$0.76	\$0.00	\$0.42	\$0.51	\$0.00	\$0.00	\$22.62	\$29.62
CW-1 0- 2,000 Hrs	\$13.13	\$6.51	\$0.39	\$0.76	\$0.00	\$0.39	\$0.51	\$0.00	\$0.00	\$21.69	\$28.26

**Special Calculation Note :** Other is for NEBF (National Electrical Benefit Fund)

**Ratio :**

Construction Electrician and Construction Wireman Ratio

There shall be a minimum ratio of one inside Journeyman to every (4) employees of different classification per jobsite. An inside Journeyman Wireman is required on the project as the fifth (5th) worker or when apprentices are used

**Jurisdiction ( \* denotes special jurisdictional note ) :**

BUTLER, WARREN\*

**Special Jurisdictional Note :** In Warren County the following townships are included: (Deerfield, Hamilton, Harlan, Massie, Salem, Turtle Creek, Union, and Washington)

The scope of work for the light commercial agreement shall apply to the following facilities not to exceed 200,000 square feet; office buildings, shopping centers, auto sales agencies and garages, churches, funeral homes, nursing homes, hotels, retail and wholesale facilities, small stand-alone manufacturing facilities when free standing and not part of a larger facility (not to exceed 50,000 square feet), solar projects (500 panels or less) unless otherwise covered under the agreement, lighting retrofits (when not associated with remodels involving branch re-circuiting) lighting retrofits shall be defined as the changing of lamps and ballasts in existing light fixtures and shall also include the one for one replacement of existing fixtures, warehouses, gas stations, food service centers, restaurants, entertainment facilities, hospitals, clinics, motels, residential buildings.

**Details :**

Electricians while splicing cable shall receive \$.50 an hour above the regular electrical rate.

All work that requires the use of gas masks or respirators, shall be paid 50% above the appropriate rate of pay. Work up to & including 40 feet shall be paid \$.50 over the journeyman rate. All work from a Boatswain Chair, Swinging Scaffold, or Barrel shall be at double the Journeyman rate. Workmen required to work 50 feet or more below the surface of the earth will be paid 50% above the Journeyman rate.



# Prevailing Wage Rate Skilled Crafts

Name of Union: Electrical Local 648 Voice Data Video

Change # : LCR01-2021sksLoc648VDV

Craft : Voice Data Video Effective Date : 12/22/2021 Last Posted : 12/22/2021

	BHR		Fringe Benefit Payments					Irrevocable Fund		Total PWR	Overtime Rate	
			H&W	Pension	App Tr.	Vac.	Annuity	Other	LECET (*)			MISC (*)
Classification												
Electrical Installer Technician A	\$25.95		\$6.60	\$0.78	\$0.49	\$0.00	\$4.40	\$0.00	\$0.00	\$0.00	\$38.22	\$51.20
Electrical Installer Technician B	\$24.65		\$6.60	\$0.74	\$0.47	\$0.00	\$4.40	\$0.00	\$0.00	\$0.00	\$36.86	\$49.18
JW Installer Technician B	\$23.36		\$6.60	\$0.70	\$0.44	\$0.00	\$4.40	\$0.00	\$0.00	\$0.00	\$35.50	\$47.18
Non BICSI Installer	\$16.87		\$3.00	\$0.51	\$0.32	\$0.00	\$2.40	\$0.00	\$0.00	\$0.00	\$23.10	\$31.53
<b>Apprentice</b>												
	Percent											
1st period 0-800 hrs	55.00	\$14.27	\$3.00	\$0.43	\$0.27	\$0.00	\$0.25	\$0.00	\$0.00	\$0.00	\$18.22	\$25.36
2nd period 801-1600 hrs	55.00	\$14.27	\$3.00	\$0.43	\$0.27	\$0.00	\$0.25	\$0.00	\$0.00	\$0.00	\$18.22	\$25.36
3rd period 1601-2400 hrs	65.00	\$16.87	\$6.50	\$0.51	\$0.32	\$0.00	\$4.40	\$0.00	\$0.00	\$0.00	\$28.60	\$37.03
4th period 2401-3200 hrs	65.00	\$16.87	\$6.50	\$0.51	\$0.32	\$0.00	\$4.40	\$0.00	\$0.00	\$0.00	\$28.60	\$37.03
5th period 3201-4000 hrs	75.00	\$19.46	\$6.53	\$0.58	\$0.37	\$0.00	\$4.40	\$0.00	\$0.00	\$0.00	\$31.34	\$41.07
6th period 4001-4800 hrs	75.00	\$19.46	\$6.53	\$0.58	\$0.37	\$0.00	\$4.40	\$0.00	\$0.00	\$0.00	\$31.34	\$41.07
7th period 4801-4900hr	80.00	\$20.76	\$6.54	\$0.62	\$0.39	\$0.00	\$4.40	\$0.00	\$0.00	\$0.00	\$32.71	\$43.09

8th period 4901- 5000hrs	80.00	\$20.76	\$6.54	\$0.62	\$0.39	\$0.00	\$4.40	\$0.00	\$0.00	\$0.00	\$32.71	\$43.09
Cable Puller	50.00	\$12.98	\$3.00	\$0.39	\$0.25	\$0.00	\$0.25	\$0.00	\$0.00	\$0.00	\$16.86	\$23.35

**Special Calculation Note :**

**Ratio :**

1 Technician to 2 Apprentice

**Jurisdiction ( \* denotes special jurisdictional note ) :**

BUTLER, WARREN\*

**Special Jurisdictional Note :** The following townships In Warren County are included: (Deerfield, Hamilton, Harlan, Massie, Salem, Turtle Creek, Union, and Washington)

**Details :**

The following work is excluded from the Teledata Technician work scope:

\*The installation of computer systems in industrial applications such as assembly lines, robotics, computer controller manufacturing systems.

\*The installation of conduit and/or raceways shall be installed by Inside Wireman. On sites where there is no Inside Wireman employed, the Teledata Technician may install raceway or conduit not greater than 10 ft.

\*Fire Alarm work is excluded on all new construction sites or wherever the fire alarm system is installed in conduit

\*All HVAC control work.

# Prevailing Wage Rate Skilled Crafts

Name of Union: Elevator Local 11

Change # : LCN01-2020fbLoc11

Craft : Elevator Effective Date : 01/05/2021 Last Posted : 01/05/2021

	BHR		Fringe Benefit Payments						Irrevocable Fund		Total PWR	Overtime Rate
			H&W	Pension	App Tr.	Vac.	Annuity	Other	LECET (*)	MISC (*)		
Classification												
Elevator Mechanic	\$48.82		\$15.88	\$10.46	\$0.64	\$3.91	\$8.85	\$1.56	\$0.00	\$0.00	\$90.12	\$114.53
Probationary Apprentice	50.00	\$24.41	\$0.00	\$0.00	\$0.00	\$1.46	\$0.00	\$0.78	\$0.00	\$0.00	\$26.65	\$38.86
1st year	55.00	\$26.85	\$15.88	\$10.46	\$0.64	\$1.61	\$8.85	\$0.86	\$0.00	\$0.00	\$65.15	\$78.58
2nd year	65.00	\$31.73	\$15.88	\$10.46	\$0.64	\$1.90	\$8.85	\$1.02	\$0.00	\$0.00	\$70.48	\$86.35
3rd year	70.00	\$34.17	\$15.88	\$10.46	\$0.64	\$2.05	\$8.85	\$1.09	\$0.00	\$0.00	\$73.14	\$90.23
4th year	80.00	\$39.06	\$15.88	\$10.46	\$0.64	\$2.34	\$8.85	\$1.25	\$0.00	\$0.00	\$78.48	\$98.00
Helper	70.00	\$34.17	\$15.88	\$10.46	\$0.64	\$2.05	\$8.85	\$1.09	\$0.00	\$0.00	\$73.14	\$90.23
Assistant Mechanic	80.00	\$39.06	\$15.88	\$10.46	\$0.64	\$2.34	\$8.85	\$1.25	\$0.00	\$0.00	\$78.48	\$98.00

**Special Calculation Note :** Other is Holiday Pay. Vacation calculated at 6%.

## Ratio :

The total number of Helpers & Apprentices employed shall not exceed the number of Mechanics on any one job, except on jobs where (2) teams or more are working, (1) extra Helper or Apprentice may be employed for the first (2) teams and an extra Helper or Apprentice for each additional (3) teams.

- 1 Journeymen to 1 Apprentice
- 2 Journeymen to 5 Apprentice
- 3 Journeymen to 6 Apprentice

## Special Jurisdictional Note :

## Details :

## Jurisdiction ( \* denotes special jurisdictional note ) :

ADAMS, BROWN, BUTLER, CLERMONT, CLINTON, DARKE, GREENE, HAMILTON, HIGHLAND, MIAMI, MONTGOMERY, PREBLE, SCIOTO, SHELBY, WARREN

# Prevailing Wage Rate Skilled Crafts

Name of Union: Glazier Local 387

Change # : LCN01-2023ibLoc387

Craft : Glazier Effective Date : 11/22/2023 Last Posted : 11/22/2023

	BHR		Fringe Benefit Payments					Irrevocable Fund		Total PWR	Overtime Rate	
			H&W	Pension	App Tr.	Vac.	Annuity	Other	LECET (*)	MISC (*)		
<b>Classification</b>												
Glazier	\$31.95		\$6.50	\$11.25	\$0.45	\$0.00	\$0.00	\$0.00	\$0.00	\$0.00	\$50.15	\$66.12
<b>Apprentice</b>	<b>Percent</b>											
1st Year	65.00	\$20.77	\$6.50	\$7.86	\$0.45	\$0.00	\$0.00	\$0.00	\$0.00	\$0.00	\$35.58	\$45.96
2nd Year	75.00	\$23.96	\$6.50	\$8.83	\$0.45	\$0.00	\$0.00	\$0.00	\$0.00	\$0.00	\$39.74	\$51.72
3rd Year	85.00	\$27.16	\$6.50	\$9.80	\$0.45	\$0.00	\$0.00	\$0.00	\$0.00	\$0.00	\$43.91	\$57.49
4th Year	95.00	\$30.35	\$6.50	\$10.77	\$0.45	\$0.00	\$0.00	\$0.00	\$0.00	\$0.00	\$48.07	\$63.25

**Special Calculation Note :** No special calculations for this skilled craft wage rate are required at this time.

**Ratio :**

Each employer may employ and train Apprentices in the following ratio to journeymen workers employed.  
1 Journeymen to 1 Apprentice

**Jurisdiction ( \* denotes special jurisdictional note ) :**

ADAMS, BROWN, BUTLER, CHAMPAIGN, CLARK, CLERMONT, CLINTON, DARKE, FAYETTE\*, GREENE, HAMILTON, HIGHLAND, MIAMI, MONTGOMERY, PREBLE, WARREN

**Special Jurisdictional Note :** Fayette County: Eastern portion of route #41 being the dividing line between locals 372 and 387. Local 387 has jurisdiction of projects built on property which borders route #41 East.

**Details :**

# Prevailing Wage Rate Skilled Crafts

Name of Union: Ironworker Local 44

Change # : LCN01-2023ibLoc44

Craft : Ironworker Effective Date : 06/01/2023 Last Posted : 05/31/2023

	BHR		Fringe Benefit Payments					Irrevocable Fund		Total PWR	Overtime Rate	
			H&W	Pension	App Tr.	Vac.	Annuity	Other	LECET (*)			MISC (*)
Classification												
Ironworker Reinforcing	\$32.87		\$8.90	\$9.50	\$0.60	\$0.00	\$4.30	\$0.20	\$0.00	\$0.00	\$56.37	\$72.80
Structural	\$32.37		\$8.90	\$9.50	\$0.60	\$0.00	\$4.30	\$0.20	\$0.00	\$0.00	\$55.87	\$72.05
Ornamental	\$32.37		\$8.90	\$9.50	\$0.60	\$0.00	\$4.30	\$0.20	\$0.00	\$0.00	\$55.87	\$72.05
Machine Mover/Rigger	\$32.37		\$8.90	\$9.50	\$0.60	\$0.00	\$4.30	\$0.20	\$0.00	\$0.00	\$55.87	\$72.05
Conveyer Mechanic	\$32.37		\$8.90	\$9.50	\$0.60	\$0.00	\$4.30	\$0.20	\$0.00	\$0.00	\$55.87	\$72.05
Maintenance/Heavy Hwy	\$32.37		\$8.90	\$9.50	\$0.60	\$0.00	\$4.30	\$0.20	\$0.00	\$0.00	\$55.87	\$72.05
Welder A	\$32.62		\$8.90	\$9.50	\$0.60	\$0.00	\$4.30	\$0.20	\$0.00	\$0.00	\$56.12	\$72.43
Welder B	\$32.87		\$8.90	\$9.50	\$0.60	\$0.00	\$4.30	\$0.20	\$0.00	\$0.00	\$56.37	\$72.80
Sheeter	\$32.37		\$8.90	\$9.50	\$0.60	\$0.00	\$4.30	\$0.20	\$0.00	\$0.00	\$55.87	\$72.05
Fence Erector	\$30.75		\$8.90	\$9.50	\$0.60	\$0.00	\$4.30	\$0.20	\$0.00	\$0.00	\$54.25	\$69.62
Ironworker	\$32.37		\$8.90	\$9.50	\$0.60	\$0.00	\$4.30	\$0.20	\$0.00	\$0.00	\$55.87	\$72.05
<b>Apprentice</b>	<b>Percent</b>											
Apprentice												
1st yr A	60.00	\$19.72	\$8.90	\$9.50	\$0.60	\$0.00	\$1.08	\$0.20	\$0.00	\$0.00	\$40.00	\$49.86
1st yr B	65.00	\$21.37	\$8.90	\$9.50	\$0.60	\$0.00	\$1.08	\$0.20	\$0.00	\$0.00	\$41.65	\$52.33
2nd yr A	70.00	\$23.01	\$8.90	\$9.50	\$0.60	\$0.00	\$1.08	\$0.20	\$0.00	\$0.00	\$43.29	\$54.79
2nd yr B	75.00	\$24.65	\$8.90	\$9.50	\$0.60	\$0.00	\$1.08	\$0.20	\$0.00	\$0.00	\$44.93	\$57.26
3rd yr A	80.00	\$26.30	\$8.90	\$9.50	\$0.60	\$0.00	\$2.15	\$0.20	\$0.00	\$0.00	\$47.65	\$60.79
3rd yr B	85.00	\$27.94	\$8.90	\$9.50	\$0.60	\$0.00	\$2.15	\$0.20	\$0.00	\$0.00	\$49.29	\$63.26
4th yr A	90.00	\$29.58	\$8.90	\$9.50	\$0.60	\$0.00	\$3.23	\$0.20	\$0.00	\$0.00	\$52.01	\$66.80
4th yr B	95.00	\$31.23	\$8.90	\$9.50	\$0.60	\$0.00	\$3.23	\$0.20	\$0.00	\$0.00	\$53.66	\$69.27
4th yr C	100.00	\$32.87	\$8.90	\$9.50	\$0.60	\$0.00	\$3.23	\$0.20	\$0.00	\$0.00	\$55.30	\$71.73

**Special Calculation Note : Other is Impact Fund Training**

Ratio :

Jurisdiction ( \* denotes special jurisdictional note ) :

1 Journeymen to 1 Apprentice  
2 Journeymen to 2 Apprentice  
10 Journeymen to 4 Apprentices

ADAMS\*, BROWN, BUTLER\*, CLERMONT,  
CLINTON\*, HAMILTON, HIGHLAND\*, WARREN\*

**Special Jurisdictional Note :** Adams County Twps included: Bratton, Scott, Winchester, Wayne. Butler County Twps included: Oxford, St. Clair, Fairfield, Morgan, Liberty, Union, Ross, Reily, Hanover, West Chester. In Clinton County, Manchester and South West Borrow. Highland County Twps included: Dotson, Salem, Clay, White Oak, Hamer, New Market, Concord, Jackson, Washington. Warren County Twps included: Harlan, Deerfield, Hamilton.

**Details :**

Structural Iron Work but not limited to: field fabrication, all loading to and including the erecting, rigging, assembly, dismantling, placing, temporary and permanent securing by any means of all structural iron, steel, ornamental lead, bronze, brass, copper, aluminum, glass all ferrous and non ferrous metal and composite material, precast prestressed and post-stressed concrete structures. Bridges and bridge rails, bridge viaducts, bucks bulkheads, bumper and bumper post, canopies and unistrut canopies, corrugated ferrous and non ferrous sheets when attached to steel frames, columns, beams, bar-joists, trusses, grinders, roof decking, electrical supports, elevator cars, elevator fronts and enclosures, erection of steel towers, flag poles, gymnasium equipment, stadium and arena seating, jail cell work, jail cell beds, benches, bunks, chairs, tables, mirrors, jail cell access doors, rigging and installation of machinery and equipment (erecting, aligning, anchoring and dismantling, erection and dismantling of tower cranes, derrick monorail systems, Chicago booms, overhead cranes, gantries, material and personnel hoists, tanks, hoppers and conveyors. All pre-engineered metal buildings and their entirety including siding, roofing, gutters, downspouts and erection of all.

Reinforcing Iron Work but not limited to: Any work in connection with field fabrication, handling, racking, sorting, cutting, bending, hoisting, placing, burning, welding and tying of all materials used to reinforce concrete construction, except that loading and unloading by hand and carrying to a centralized point adjacent to or upon site of the project on which such materials are to be used. Realigning of reinforcing iron, wire mesh placing, bricking, pulling and similar reinforcing materials, placing steel dowels, as well as refastening and resetting same while concrete is being poured. Reinforcing steel and wire mesh in roadways and sidewalks in connection with building construction, also erection and fabrication of preconnection with building construction, also erection and fabrication of prestressed and precast joist, beams, columns, and slabs, walls, roofs, tanks, manholes, trenches and covers. The handling and placing of "J" or Jack bars on slip form construction; the placing of all clips, bolts, steel rods and wire fabric or mesh pertaining to gunite construction; the placing of steel-tex or paper-back mesh used for reinforcing and placing wire mesh to reinforce gypsum roof construction. Metal decking similar "corruflex" used for floor forms over metal or concrete supports whether welded or clipped. Post tension. All loading and unloading, hoisting, placing and tying of all post tensioning cables. Wrecking of cones, wedging of tendons, stressing, cutting and repairing.

Ornamental Iron Work but not limited to: all work in connection with field fabrication, handling including loading/off loading, sorting, cutting, fastening, anchoring, bending, hoisting, placing, burning, welding, and tying, dismantling of all materials used in miscellaneous iron or steel, for stairs, hand railings, rolling doors, rolling gates, rolling shutters, fence, windows, curtain wall, erection and welding of all metal, sash, architectural and ornamental treatments, but not necessarily limited to all sizes and types of ornamental, steel iron, lead, bronze, brass, copper, aluminum, all ferrous and non ferrous metals and composite materials

Fence Erector Iron Worker but not limited to: All work in connection with the field fabrication and erection of chain link fence, which includes but not limited to the loading and of the fence fabric and posts also the installation of the above.

# Prevailing Wage Rate Skilled Crafts

Name of Union: Ironworker Local 290

Change # : LCN01-2023ibLoc290

Craft : Ironworker Effective Date : 11/17/2023 Last Posted : 11/17/2023

	BHR		Fringe Benefit Payments					Irrevocable Fund		Total PWR	Overtime Rate	
			H&W	Pension	App Tr.	Vac.	Annuity	Other	LECET (*)			MISC (*)
Classification												
Ironworker Structural	\$32.69		\$8.90	\$9.50	\$0.65	\$0.00	\$5.00	\$0.01	\$0.00	\$0.00	\$56.75	\$73.10
Welder	\$32.69		\$8.90	\$9.50	\$0.65	\$0.00	\$5.00	\$0.01	\$0.00	\$0.00	\$56.75	\$73.10
Fence Erector	\$32.69		\$8.90	\$9.50	\$0.65	\$0.00	\$5.00	\$0.01	\$0.00	\$0.00	\$56.75	\$73.10
Reinforcing Rods	\$32.69		\$8.90	\$9.50	\$0.65	\$0.00	\$5.00	\$0.01	\$0.00	\$0.00	\$56.75	\$73.10
Machinery Mover	\$32.69		\$8.90	\$9.50	\$0.65	\$0.00	\$5.00	\$0.01	\$0.00	\$0.00	\$56.75	\$73.10
Sheeter	\$32.69		\$8.90	\$9.50	\$0.65	\$0.00	\$5.00	\$0.01	\$0.00	\$0.00	\$56.75	\$73.10
Metal Building Erector	\$32.69		\$8.90	\$9.50	\$0.65	\$0.00	\$5.00	\$0.01	\$0.00	\$0.00	\$56.75	\$73.10
Rigger & Erector	\$32.69		\$8.90	\$9.50	\$0.65	\$0.00	\$5.00	\$0.01	\$0.00	\$0.00	\$56.75	\$73.10
Apprentice	Percent											
1st year	64.60	\$21.12	\$8.90	\$9.50	\$0.65	\$0.00	\$3.50	\$0.01	\$0.00	\$0.00	\$43.68	\$54.24
2nd year	74.60	\$24.39	\$8.90	\$9.50	\$0.65	\$0.00	\$3.50	\$0.01	\$0.00	\$0.00	\$46.95	\$59.14
3rd year	84.60	\$27.66	\$8.90	\$9.50	\$0.65	\$0.00	\$3.50	\$0.01	\$0.00	\$0.00	\$50.22	\$64.04
4th year	94.62	\$30.93	\$8.90	\$9.50	\$0.65	\$0.00	\$3.50	\$0.01	\$0.00	\$0.00	\$53.49	\$68.96

**Special Calculation Note :** Other is for Industry Fund.

**Ratio :**

ON STRUCTURAL WORK: 1 Apprentice to 3 Journeymen

ON ROD WORK: 1 Apprentice to 3 Journeymen

ON ALL FINISHING, STEEL SASH, STAIRWAY AND ORNAMENTAL WORK: 1 Apprentice to 1 Journeyman

ON ALL INDUSTRIAL MAINTENANCE PROJECTS

**Jurisdiction ( \* denotes special jurisdictional note ) :**

ALLEN\*, AUGLAIZE, BUTLER\*, CHAMPAIGN\*, CLARK, CLINTON, DARKE, FAYETTE\*, GREENE, HARDIN\*, HIGHLAND\*, LOGAN\*, MADISON\*, MERCER\*, MIAMI, MONTGOMERY, PREBLE, SHELBY, VAN WERT\*, WARREN\*

## NOT COVERED BY OTHER SPECIALTY

AGREEMENTS: 2 Apprentices to 2 Journeymen

**Special Jurisdictional Note :** Allen County Twps included are: Auglaize, Perry, Shawnee, Amanda, Spencer, Marion, Sugar Creek, American, Bath, Jackson. Butler County Twps included are: Milford, Wayne, Madison, Lemon. Champaign Cnty Twps included are: Union, Urbana, Jackson, Concord, Salem, Mad River, Johnson, Harrison, Adams. Fayette County Twps included are: Green, Jasper, Concord, Jefferson. Hardin County Twps included are: Round Head, Marion, Liberty. Highland County Twps included are: Fairfield, Penn, Union, Marshall, Liberty, Paint, Brush Creek. Logan County Twps included are: Richland, Stokes, Bloomfield, Washington, Harrison, McArthur, Lake, Liberty, Pleasant, Miami. Madison County Twps included are: Stokes. Mercer County Twps included are: Dublin, Washington, Jefferson, Recovery, Gibson, Union, Liberty, Butler, Granville, Center, Hopewell, Franklin, Marion. VanWert County Twps included are: Jennings. Warren County Twps included are: Franklin, Clear Creek, Turtle Creek, Wayne, Massie, Washington, Salem, Union.

### Details :

Structural Iron Work but not limited to:field fabrication, all loading to and including the erecting,rigging,assembly,dismantling, placing, temporary and permanent securing by any means of all structural iron,steel,ornamental lead,bronze,brass,copper,aluminum,glass all ferrous and non ferrous metal and composite material, precast prestressed and post-stressed concrete structures. Bridges and bridge rails,bridge viaducts,bucks bulkheads,bumper and bumper post,canopies and unistrut canopies,corrugated ferrous and non ferrous sheets when attached to steel frames,columns,beams,bar-joists,trusses,grinders,roof decking,electrical supports,elevator cars,elevator fronts and enclosures,erection of steel towers,flag poles, gymnasium equipment,stadium and arena seating,jail cell work,jail cell beds,benches,bunks,chairs,tables,mirrors,jail cell access doors,rigging and installation of machinery and equipment(erection,aligning,anchoring and dismantling, erection and dismantling of tower cranes,derrick monorail systems, Chicago booms,overhead cranes,gantries,material and personnel hoists,tanks,hoppers and conveyors. All pre-engineered metal buildings and their entirety including siding,roofing, gutters, downspouts and erection of all.

Ornamental Iron Work but not limited to:all work in connection with field fabrication,handling including loading/off loading,sorting,cutting,fastening,anchoring,bending,hoisting,placing,burning,welding,and tying,dismantling of all materials used in miscellaneous iron or steel, for stairs,hand railings,rolling doors, rolling gates,rolling shutters,fence,windows,curtain wall,erection and welding of all metal, sash,architectural and ornamental treatments, but not necessarily limited to all sizes and types of ornamental,steel iron,lead,bronze,brass,copper,aluminum,all ferrous and non ferrous metals and composite materials

Fence Erector Iron Worker but not limited to: All work in connection with the field fabrication and erection of chain link fence,which includes but not limited to the loading and of the fence fabric and posts also the installation of the above.



# Prevailing Wage Rate

## Skilled Crafts

Name of Union: Labor HevHwy 3

Change # : LCN01-2023ibLocalHevHwy3

Craft : Laborer Group 1 Effective Date : 05/01/2023 Last Posted : 04/26/2023

	BHR		Fringe Benefit Payments					Irrevocable Fund		Total PWR	Overtime Rate	
			H&W	Pension	App Tr.	Vac.	Annuity	Other	LECET (*)			MISC (*)
<b>Classification</b>												
Laborer Group 1	\$34.62		\$8.20	\$4.05	\$0.45	\$0.00	\$1.00	\$0.00	\$0.10	\$0.00	\$48.42	\$65.73
Group 2	\$34.79		\$8.20	\$4.05	\$0.45	\$0.00	\$1.00	\$0.00	\$0.10	\$0.00	\$48.59	\$65.98
Group 3	\$35.12		\$8.20	\$4.05	\$0.45	\$0.00	\$1.00	\$0.00	\$0.10	\$0.00	\$48.92	\$66.48
Group 4	\$35.57		\$8.20	\$4.05	\$0.45	\$0.00	\$1.00	\$0.00	\$0.10	\$0.00	\$49.37	\$67.15
Watch Person	\$27.35		\$8.20	\$4.05	\$0.45	\$0.00	\$1.00	\$0.00	\$0.10	\$0.00	\$41.15	\$54.83
<b>Apprentice</b>	<b>Percent</b>											
0-1000 hrs	60.00	\$20.77	\$8.20	\$4.05	\$0.45	\$0.00	\$1.00	\$0.00	\$0.10	\$0.00	\$34.57	\$44.96
1001-2000 hrs	70.00	\$24.23	\$8.20	\$4.05	\$0.45	\$0.00	\$1.00	\$0.00	\$0.10	\$0.00	\$38.03	\$50.15
2001-3000 hrs	80.00	\$27.70	\$8.20	\$4.05	\$0.45	\$0.00	\$1.00	\$0.00	\$0.10	\$0.00	\$41.50	\$55.34
3001-4000 hrs	90.00	\$31.16	\$8.20	\$4.05	\$0.45	\$0.00	\$1.00	\$0.00	\$0.10	\$0.00	\$44.96	\$60.54
More than 4000 hrs	100.00	\$34.62	\$8.20	\$4.05	\$0.45	\$0.00	\$1.00	\$0.00	\$0.10	\$0.00	\$48.42	\$65.73

**Special Calculation Note :** Watchmen have no Apprentices. Tunnel Laborer rate with air-pressurized add \$1.00 to the above wage rate.

**Ratio :**

- 1 Journeymen to 1 Apprentice
- 3 Journeymen to 1 Apprentice thereafter

**Jurisdiction ( \* denotes special jurisdictional note ) :**

ADAMS, ALLEN, ASHLAND, ATHENS, AUGLAIZE, BELMONT, BROWN, BUTLER, CARROLL, CHAMPAIGN, CLARK, CLERMONT, CLINTON, COLUMBIANA, COSHOCTON, CRAWFORD, DARKE, DEFIANCE, DELAWARE, FAIRFIELD, FAYETTE, FRANKLIN, FULTON, GALLIA, GREENE, GUERNSEY, HAMILTON, HANCOCK, HARDIN, HARRISON, HENRY, HIGHLAND, HOCKING, HOLMES, JACKSON, JEFFERSON, KNOX, LAWRENCE, LICKING, LOGAN, MADISON, MARION, MEIGS, MERCER, MIAMI, MONROE, MONTGOMERY, MORGAN, MORROW,

MUSKINGUM, NOBLE, PAULDING, PERRY,  
PICKAWAY, PIKE, PREBLE, PUTNAM, RICHLAND,  
ROSS, SCIOTO, SENECA, SHELBY,  
TUSCARAWAS, UNION, VAN WERT, VINTON,  
WARREN, WASHINGTON, WAYNE, WILLIAMS,  
WYANDOT

**Special Jurisdictional Note :** Hod Carriers and Common Laborers - Heavy, Highway, Sewer, Waterworks, Utility, Airport, Railroad, Industrial and Building Site, Sewer Plant, Waste Water Treatment Facilities Construction

**Details :**

**Group 1**

Laborer (Construction); Plant Laborer or Yardman, Right-of-way Laborer, Landscape Laborer, Highway Lighting Worker, Signalization Worker, (Swimming) Pool Construction Laborer, Utility Man, \*Bridge Man, Handyman, Joint Setter, Flagperson, Carpenter Helper, Waterproofing Laborer, Slurry Seal, Seal Coating, Surface Treatment or Road Mix Laborer, Riprap Laborer & Grouter, Asphalt Laborer, Dump Man (batch trucks), Guardrail & Fence Installer, Mesh Handler & Placer, Concrete Curing Applicator, Scaffold Erector, Sign Installer, Hazardous Waste (level D), Diver Helper, Zone Person and Traffic Control.

\*Bridge Man will perform work as per the October 31, 1949, memorandum on concrete forms, by and between the United Brotherhood of Carpenters and Joiners of America and the Laborers' International Union of North America, which states in; "the moving, cleaning, oiling and carrying to the next point of erection, and the stripping of forms which are not to be re-used, and forms on all flat arch work shall be done by members of the Laborers' International Union of North America."

**Group 2**

Asphalt Raker, Screwman or Paver, Concrete Puddler, Kettle Man (pipeline), All Machine-Driven Tools (Gas, Electric, Air), Mason Tender, Brick Paver, Mortar Mixer, Skid Steer, Sheeting & Shoring Person, Surface Grinder Person, Screedperson, Water Blast, Hand Held Wand, Power Buggy or Power Wheelbarrow, Paint Striper, Plastic fusing Machine Operator, Rodding Machine Operator, Pug Mill Operator, Operator of All Vacuum Devices Wet or Dry, Handling of all Pumps 4 inches and under (gas, air or electric), Diver, Form Setter, Bottom Person, Welder Helper (pipeline), Concrete Saw Person, Cutting with Burning Torch, Pipe Layer, Hand Spiker (railroad), Underground Person (working in sewer and waterline, cleaning, repairing and reconditioning). Tunnel Laborer (without air), Caisson, Cofferdam (below 25 feet deep), Air Track and Wagon Drill, Sandblaster Nozzle Person, Hazardous Waste (level B), \*\*\*Lead Abatement, Hazardous Waste (level C)

\*\*\*Includes the erecting of structures for the removal, including the encapsulation and containment of Lead abatement process.

**Group 3**

Blast and Powder Person, Muckers will be defined as shovel men working directly with the miners, Wrencher (mechanical joints & utility pipeline), Yarnier, Top Lander, Hazardous Waste (level A), Concrete Specialist, Curb Setter and Cutter, Grade Checker, Concrete Crew in Tunnels. Utility pipeline Tappers, Waterline, Caulker, Signal Person will receive the rate equal to the rate paid the Laborer classification for which the Laborer is signaling.

**Group 4**

Miner, Welder, Gunitite Nozzle Person

A.) The Watchperson shall be responsible to patrol and maintain a safe traffic zone including but not limited to barrels, cones, signs, arrow boards, message boards etc.

The responsibility of a watchperson is to see that the equipment, job and office trailer etc. are secure.

# Prevailing Wage Rate Skilled Crafts

Name of Union: Labor Local 534 Building

Change # : LCN01-2023ibLoc534

Craft : Laborer Effective Date : 06/01/2023 Last Posted : 05/31/2023

	BHR		Fringe Benefit Payments					Irrevocable Fund		Total PWR	Overtime Rate	
			H&W	Pension	App Tr.	Vac.	Annuity	Other	LECET (*)			MISC (*)
Classification												
Laborer Group 1	\$31.54		\$8.20	\$4.05	\$0.45	\$0.00	\$0.00	\$0.00	\$0.10	\$0.00	\$44.34	\$60.11
Laborer Group 2	\$31.64		\$8.20	\$4.05	\$0.45	\$0.00	\$0.00	\$0.00	\$0.10	\$0.00	\$44.44	\$60.26
Laborer Group 3	\$31.74		\$8.20	\$4.05	\$0.45	\$0.00	\$0.00	\$0.00	\$0.10	\$0.00	\$44.54	\$60.41
Laborer Group 4	\$31.87		\$8.20	\$4.05	\$0.45	\$0.00	\$0.00	\$0.00	\$0.10	\$0.00	\$44.67	\$60.60
Laborer Group 5	\$32.12		\$8.20	\$4.05	\$0.45	\$0.00	\$0.00	\$0.00	\$0.10	\$0.00	\$44.92	\$60.98
Laborer Group 6	\$31.89		\$8.20	\$4.05	\$0.45	\$0.00	\$0.00	\$0.00	\$0.10	\$0.00	\$44.69	\$60.64
Laborer Group 7	\$31.09		\$8.20	\$4.05	\$0.45	\$0.00	\$0.00	\$0.00	\$0.10	\$0.00	\$43.89	\$59.43
<b>Apprentice</b>	<b>Percent</b>											
0-1000 hrs	60.00	\$18.92	\$8.20	\$4.05	\$0.45	\$0.00	\$0.00	\$0.00	\$0.10	\$0.00	\$31.72	\$41.19
1001-2000 hrs	70.00	\$22.08	\$8.20	\$4.05	\$0.45	\$0.00	\$0.00	\$0.00	\$0.10	\$0.00	\$34.88	\$45.92
2001-3000 hrs	80.00	\$25.23	\$8.20	\$4.05	\$0.45	\$0.00	\$0.00	\$0.00	\$0.10	\$0.00	\$38.03	\$50.65
3001-4000	90.00	\$28.39	\$8.20	\$4.05	\$0.45	\$0.00	\$0.00	\$0.00	\$0.10	\$0.00	\$41.19	\$55.38
4001	100.00	\$31.54	\$8.20	\$4.05	\$0.45	\$0.00	\$0.00	\$0.00	\$0.10	\$0.00	\$44.34	\$60.11

**Special Calculation Note :** No special calculations for this skilled craft wage rate are required at this time.

**Ratio :**

1 Journeyman to 1 Apprentice  
3 Journeyman to 1 Apprentice

**Jurisdiction ( \* denotes special jurisdictional note ) :**

BUTLER, WARREN

**Special Jurisdictional Note :**

**Details :**

Note:

Group 1: Building & Common Laborer; All general laborers work including all forms of landscaping, Rough Rider - all pump's 4 inch or smaller, Small Pump Portable Generators-Bobcat to Cleanup, Firewatch and Monitor, (Safety Person)

Group 2: Asphalt Raker, Tamper, Smoother, Hand Air Pump, Hand air Tamper, Chisel, Power Tamper, Operator, Switch, Assemblies, Handling & Laying Precast Concrete Floors & Deck Tool Repairman.

Group 3: Concrete Specialist; Skid Steers (with attachments to perform Laborer's duties) Jack Hammer \* Concrete Busterman, Barco Tamper Man, Power Georgia Buggy Man, Power Sweeper Man, Vibrator, Concrete Saw Man, Rail Spikers, Acetylene Burner, Pipelayers, Bos'n Cradleman, Bottom Man, Chipping Hammer Grade Checker, Radio Operator, Form Cleanout & blowout Man, Red Concrete Coloring Man (Electrical Safety)

Group 4: Mason Tender, Mortar Mixers & Scaffold Builders

Group 5: Fork Lift for Mason, all work involving Refractory Materials Including Demolition of Refractory Materials.

Asbestos Removal and Hazardous Waste Removal (handling, control, removal abatement, encapsulation or disposal of asbestos & hazardous waste),

Group 6: Gunnite Man, Sand Blaster, Concrete & Grout Pump & Hose Man, Blast Trac, Miners & Muckers, Free Air, Powderman or Blaster, Mortar or Gypsum Machineman, Welder, Scuba Diver.

Group 7: Watchman & Tool Checker/Toolroom Man



1st Year	50.00	\$20.75	\$9.01	\$6.25	\$0.85	\$0.00	\$0.00	\$0.09	\$0.00	\$0.05	\$37.00	\$47.37
2nd Year	60.00	\$24.89	\$9.01	\$6.25	\$0.85	\$0.00	\$0.00	\$0.09	\$0.00	\$0.05	\$41.14	\$53.59
3rd Year	70.00	\$29.04	\$9.01	\$6.25	\$0.85	\$0.00	\$0.00	\$0.09	\$0.00	\$0.05	\$45.29	\$59.81
4th Year	80.00	\$33.19	\$9.01	\$6.25	\$0.85	\$0.00	\$0.00	\$0.09	\$0.00	\$0.05	\$49.44	\$66.04

**Special Calculation Note :** Other: Education & Safety \$0.09; \*Misc is National Training

**Ratio :**

For every (3) Operating Engineer Journeymen employed by the company there may be employed (1) Registered Apprentice or trainee Engineer through the referral when they are available. An apprenice, while employed as part of a crew per Article VIII, paragraph 78, will not be subject to the apprenticeship ratios in this collective bargaining agreement

**Jurisdiction ( \* denotes special jurisdictional note ) :**

ADAMS, ALLEN, ASHLAND, ATHENS, AUGLAIZE, BELMONT, BROWN, BUTLER, CARROLL, CHAMPAIGN, CLARK, CLERMONT, CLINTON, COSHOCTON, CRAWFORD, DARKE, DEFIANCE, DELAWARE, FAIRFIELD, FAYETTE, FRANKLIN, FULTON, GALLIA, GREENE, GUERNSEY, HAMILTON, HANCOCK, HARDIN, HARRISON, HENRY, HIGHLAND, HOCKING, HOLMES, JACKSON, JEFFERSON, KNOX, LAWRENCE, LICKING, LOGAN, MADISON, MARION, MEIGS, MERCER, MIAMI, MONROE, MONTGOMERY, MORGAN, MORROW, MUSKINGUM, NOBLE, OTTAWA, PAULDING, PERRY, PICKAWAY, PIKE, PREBLE, PUTNAM, RICHLAND, ROSS, SANDUSKY, SCIOTO, SENECA, SHELBY, STARK, TUSCARAWAS, UNION, VAN WERT, VINTON, WARREN, WASHINGTON, WAYNE, WILLIAMS, WYANDOT

**Special Jurisdictional Note :**

**Details :**

Note: There will be a 10% increase for the apprentices on top of the percentages listed above provided they are operating mobile equipment. Mechanic Trainees will receive 10% increase if required to have CDL

Group A- Barrier Moving Machines; Boiler Operators or Compressor Operators, when compressor or boiler is mounted on crane (Piggyback Operation); Boom Trucks (all types); Cableways Cherry Pickers; Combination - Concrete Mixers & Towers; All Concrete Pumps with Booms; Cranes (all types); Compact Cranes, track or rubber over 4,000 pounds capacity; Cranes self-erecting, stationary, track or truck (all configurations); Derricks (all types); Draglines; Dredges (dipper, clam or suction) 3-man crew; Elevating Graders or Euclid Loaders; Floating Equipment; Forklift (rough terrain with winch/hoist); Gradalls; Helicopter Operators, hoisting building materials; Helicopter Winch Operators, Hoisting building materials; Hoes (All types); Hoists (with two or more drums in use); Horizontal Directional Drill; Hydraulic Gantry (lift system); Laser Finishing Machines; Laser Screed and like equipment; Lift Slab or Panel Jack Operators; Locomotives (all types); Maintenance Operator/Technician(Mechanic Operator/Technician and/or Welder); Mixers, paving (multiple drum); Mobile Concrete Pumps, with booms; Panelboards, (all types on site); Pile Drivers; Power Shovels; Prentice Loader; Rail Tamper (with automatic lifting and aligning device); Rotary Drills (all), used on caissons for foundations and sub-structure; Side Booms; Slip Form Pavers; Straddle Carriers (Building Construction on site); Trench Machines (over 24" wide); Tug Boats.

Group B - Articulating/end dumps (minus \$4.00/hour from Group B rate); Asphalt Pavers; Bobcat-type and/or skid steer loader with hoe attachment greater than 7000 lbs.; Bulldozers; CMI type Equipment; Concrete Saw, Vermeer-type; Endloaders; Hydro Milling Machine; Kolman-type Loaders (Dirt Loading); Lead Greasemen; Mucking Machines; Pettibone-Rail Equipment; Power Graders; Power Scoops; Power Scrapers; Push Cats,, Rotomills (all), grinders and planers of all types.

Group C - A-Frames; Air Compressors, Pressurizing Shafts or Tunnels; All Asphalt Rollers; Bobcat-type and/or Skid Steer Loader with or without attachments; Boilers (15 lbs. pressure and over); All Concrete Pumps (without booms with 5 inch system); Fork Lifts (except masonry); Highway Drills - all types (with integral power); Hoists (with one drum); House Elevators (except those automatic call button controlled), Buck Hoists, Transport Platforms, Construction Elevators; Hydro Vac/Excavator (when a second person is needed, the rate of pay will be "Class E"); Man Lifts; Material hoist/elevators; Mud Jacks; Pressure Grouting; Pump Operators (installing or operating Well Points or other types of Dewatering Systems); Pumps (4 inches and over discharge); Railroad Tie (Inserter/Remover); Rotovator (Lime-Soil Stabilizer); Submersible Pumps (4" and over discharge); Switch & Tie Tampers (without lifting and aligning device); Trench Machines (24" and under); Utility Operators.

Group D - Backfillers and Tampers; Ballast Re-locator; Batch Plant Operators; Bar and Joint Installing Machines; Bull Floats; Burlap and Curing Machines; Clefplanes; Compressors, on building construction; Concrete Mixers, more than one bag capacity; Concrete Mixers, one bag capacity (side loaders); All Concrete Pumps (without boom with 4" or smaller system); Concrete Spreader; Conveyors, used for handling building materials; Crushers; Deckhands; Drum Fireman (in asphalt plants); Farm type tractors pulling attachments; Finishing Machines; Form Trenchers; Generators; Guniting Machines; Hydro-seeders; Pavement Breakers (hydraulic or cable); Post Drivers; Post Hole Diggers; Pressure Pumps (over 1/2" discharge); Road Widening Trenchers; Rollers (except asphalt); Self-propelled sub-graders; Shotcrete Machines; Tire Repairmen; Tractors, pulling sheepsfoot post roller or grader; VAC/ALLS; Vibratory Compactors, with integral power; Welders.

Group E - Allen Screed Paver (concrete); Boilers (less than 15 lbs. pressure); Cranes-Compact, track or rubber (under 4,000 pounds capacity); Directional Drill "Locator"; Fueling and greasing +\$3.00; Inboard/outboard Motor Boat Launches; Light Plant Operators; Masonry Fork Lifts; Oilers/Helpers; Power Driven Heaters (oil fired); Power Scrubbers; Power Sweepers; Pumps (under 4 inch discharge); Signalperson, Submersible Pumps (under 4" discharge).

Master Mechanics - Master Mechanic

Cranes 150' - 180' - Boom & Jib 150 - 180 feet

Cranes 180' - 249' - Boom & Jib 180 - 249 feet

Cranes 250' and over - Boom & Jib 250-feet or over



# Prevailing Wage Rate Skilled Crafts

Name of Union: Operating Engineers - HevHwy Zone II

Change # : LCN01-2023ibLoc18hevhwyl

Craft : Operating Engineer Effective Date : 05/01/2023 Last Posted : 04/26/2023

	BHR		Fringe Benefit Payments					Irrevocable Fund		Total PWR	Overtime Rate	
			H&W	Pension	App Tr.	Vac.	Annuity	Other	LECET (*)			MISC (*)
Classification												
Operator Class A	\$41.49		\$9.01	\$6.25	\$0.85	\$0.00	\$0.00	\$0.09	\$0.00	\$0.05	\$57.74	\$78.48
Operator Class B	\$41.37		\$9.01	\$6.25	\$0.85	\$0.00	\$0.00	\$0.09	\$0.00	\$0.05	\$57.62	\$78.30
Operator Class C	\$40.33		\$9.01	\$6.25	\$0.85	\$0.00	\$0.00	\$0.09	\$0.00	\$0.05	\$56.58	\$76.74
Operator Class D	\$39.15		\$9.01	\$6.25	\$0.85	\$0.00	\$0.00	\$0.09	\$0.00	\$0.05	\$55.40	\$74.97
Operator Class E	\$33.69		\$9.01	\$6.25	\$0.85	\$0.00	\$0.00	\$0.09	\$0.00	\$0.05	\$49.94	\$66.78
Master Mechanic	\$41.74		\$9.01	\$6.25	\$0.85	\$0.00	\$0.00	\$0.09	\$0.00	\$0.05	\$57.99	\$78.86
<b>Apprentice</b>	<b>Percent</b>											
1st Year	50.00	\$20.75	\$9.01	\$6.25	\$0.85	\$0.00	\$0.00	\$0.09	\$0.00	\$0.05	\$37.00	\$47.37
2nd Year	60.00	\$24.89	\$9.01	\$6.25	\$0.85	\$0.00	\$0.00	\$0.09	\$0.00	\$0.05	\$41.14	\$53.59
3rd Year	70.00	\$29.04	\$9.01	\$6.25	\$0.85	\$0.00	\$0.00	\$0.09	\$0.00	\$0.05	\$45.29	\$59.81
4th Year	80.00	\$33.19	\$9.01	\$6.25	\$0.85	\$0.00	\$0.00	\$0.09	\$0.00	\$0.05	\$49.44	\$66.04
Field Mech Trainee Class 2												
1st year	50.00	\$20.75	\$9.01	\$6.25	\$0.85	\$0.00	\$0.00	\$0.09	\$0.00	\$0.05	\$37.00	\$47.37
2nd year	60.00	\$24.89	\$9.01	\$6.25	\$0.85	\$0.00	\$0.00	\$0.09	\$0.00	\$0.05	\$41.14	\$53.59
3rd year	70.00	\$29.04	\$9.01	\$6.25	\$0.85	\$0.00	\$0.00	\$0.09	\$0.00	\$0.05	\$45.29	\$59.81
4th year	80.00	\$33.19	\$9.01	\$6.25	\$0.85	\$0.00	\$0.00	\$0.09	\$0.00	\$0.05	\$49.44	\$66.04

**Special Calculation Note :** Other: Education & Safety Fund is \$0.09 per hour. \*Misc is National Training

**Ratio :**

For every (3) Operating Engineer Journeymen employed by the company, there may be employed (1) Registered Apprentice or Trainee Engineer through the referral when they are available. An Apprentice, while

**Jurisdiction ( \* denotes special jurisdictional note ) :**

ADAMS, ALLEN, ASHLAND, ATHENS, AUGLAIZE, BELMONT, BROWN, BUTLER, CARROLL, CHAMPAIGN, CLARK, CLERMONT, CLINTON, COSHOCTON, CRAWFORD, DARKE, DEFIANCE,

employed as part of a crew per Article VIII, paragraph 65 will not be subject to the apprenticeship ratios in this collective bargaining agreement

DELAWARE, FAIRFIELD, FAYETTE, FRANKLIN, FULTON, GALLIA, GREENE, GUERNSEY, HAMILTON, HANCOCK, HARDIN, HARRISON, HENRY, HIGHLAND, HOCKING, HOLMES, HURON, JACKSON, JEFFERSON, KNOX, LAWRENCE, LICKING, LOGAN, LUCAS, MADISON, MARION, MEIGS, MERCER, MIAMI, MONROE, MONTGOMERY, MORGAN, MORROW, MUSKINGUM, NOBLE, OTTAWA, PAULDING, PERRY, PICKAWAY, PIKE, PREBLE, PUTNAM, RICHLAND, ROSS, SANDUSKY, SCIOTO, SENECA, SHELBY, STARK, TUSCARAWAS, UNION, VAN WERT, VINTON, WARREN, WASHINGTON, WAYNE, WILLIAMS, WOOD, WYANDOT

### **Special Jurisdictional Note :**

#### **Details :**

\*\*Apprentices will receive a 10% increase on top of the percentages listed above provided they are operating mobile equipment. Mechanic Trainees will receive 10% increase if they are required to have CDL.

Class A - Air Compressors on Steel Erection; Asphalt Plant Engineers (Cleveland District Only); Barrier Moving Machine; Boiler Operators, Compressor Operators, or Generators, when mounted on a rig; Boom Trucks (all types); Cableways; Cherry Pickers; Combination- Concrete Mixers & Towers; Concrete Plants (over 4 yd capacity); Concrete Pumps; Cranes (all types); Compact Cranes track or rubber over 4,000 pounds capacity; Cranes self-erecting stationary, track or truck; Derricks (all types); Draglines; Dredges dipper, clam or suction; Elevating Graders or Euclid Loaders; Floating Equipment (all types); Gradalls; Helicopter Crew (Operator- hoist or winch); Hoes (all types); Hoisting Engines; Hoisting Engines, on shaft or tunnel work; Hydraulic Gantry (lifting system); Industrial-type Tractors; Jet Engine Dryer (D8 or D9) diesel Tractors; Locomotives (standard gauge); Maintenance Operators/Technicians (class A); Mixers, paving (single or double drum); Mucking Machines; Multiple Scrapers; Piledriving Machines (all types); Power Shovels, Prentice Loader; Quad 9 (double pusher); Rail Tamper (with automatic lifting and aligning device); Refrigerating Machines (freezer operation); Rotary Drills, on caisson work; Rough Terrain Fork Lift with winch/hoist; Side Booms; Slip Form Pavers; Survey Crew Party Chiefs; Tower Derricks; Tree Shredders; Trench Machines (over 24" wide); Truck Mounted Concrete Pumps; Tug Boats; Tunnel Machines and /or Mining Machines; Wheel Excavators.

Class B - Asphalt Pavers; Automatic Subgrade Machines, self-propelled (CMI-type); Bobcat-type and /or Skid Steer Loader with hoe attachment greater than 7000 lbs.; Boring Machine Operators (more than 48 inches); Bulldozers; Concrete Saws, Vermeer type; Endloaders; Horizontal Directional Drill (50,000 ft. lbs. thrust and over); Hydro Milling Machine; Kolman-type Loaders (production type-dirt); Lead Greasemen; Lighting and Traffic Signal Installation Equipment includes all groups or classifications; Maintenance Operators/Technicians, Class B; Material Transfer Equipment (shuttle buggy) Asphalt; Pettibone-Rail Equipment; Power Graders; Power Scrapers; Push Cats; Rotomills (all), Grinders and Planners of all types, Groovers (excluding walk-behinds); Trench Machines (24 inch wide and under).

Class C - A-Frames; Air Compressors, on tunnel work (low Pressure); Articulating/straight bed end dumps if assigned (minus \$4.00 per hour); Asphalt Plant Engineers (Portage and Summit Counties only); Bobcat-type and/or skid steer loader with or without attachments; Drones; Highway Drills (all types); HydroVac/Excavator (when a second person is needed, the rate of pay will be "Class E"); Locomotives (narrow gauge); Material Hoist/Elevators; Mixers, concrete (more than one bag capacity); Mixers, one bag capacity (side loader); Power Boilers (over 15 lbs. pressure); Pump Operators (installing or operating well Points); Pumps (4 inch and over discharge); Railroad Tie Inserter/Remover; Rollers, Asphalt; Rotovator (lime-soil Stabilizer); Switch & Tie Tampers (without lifting and aligning device); Utilities Operators, (small equipment); Welding Machines and

## Generators.

Class D – Backfillers and Tampers; Ballast Re-locator; Bar and Joint Installing Machines; Batch Plant Operators; Boring Machine Operators (48 inch or less); Bull Floats; Burlap and Curing Machines; Concrete Plants (capacity 4 yds. and under); Concrete Saws (multiple); Conveyors (highway); Crushers; Deckhands; Farm type tractors, with attachments (highway); Finishing Machines; Firemen, Floating Equipment (all types); Fork Lifts (highway), except masonry; Form Trenchers; Hydro Hammers; Hydro Seeders; Pavement Breakers (hydraulic or cable); Plant Mixers; Post Drivers; Post Hole Diggers; Power Brush Burners; Power Form Handling Equipment; Road Widening Trenchers; Rollers (brick, grade, macadam); Self-Propelled Power Spreaders; Self-Propelled Sub-Graders; Steam Firemen; Survey Instrument men; Tractors, pulling sheepsfoot rollers or graders; Vibratory Compactors, with integral power.

Class E - Compressors (portable, Sewer, Heavy and Highway); Cranes-Compact, track or rubber under 4,000 pound capacity; Drum Firemen (asphalt plant); Fueling and greasing (Primary Operator with Specialized CDL Endorsement Add \$3.00/hr); Generators; Inboard-Outboard Motor Boat Launches; Masonry Fork Lifts; Oil Heaters (asphalt plant); Oilers/Helpers; Power Driven Heaters (oil fired); Power Scrubbers; Power Sweepers; Pumps (under 4 inch discharge); Signalperson; Survey Rodmen or Chairmen; Tire Repairmen; VAC/ALLS.  
Master Mechanic - Master Mechanic

# Prevailing Wage Rate Skilled Crafts

Name of Union: Painter Locals 123 & 238

Change # : LCN02-2023ibLoc123-238

Craft : Drywall Finisher Effective Date : 11/15/2023 Last Posted : 11/15/2023

	BHR		Fringe Benefit Payments					Irrevocable Fund		Total PWR	Overtime Rate	
			H&W	Pension	App Tr.	Vac.	Annuity	Other	LECET (*)			MISC (*)
<b>Classification</b>												
Painter Drywall Finisher	\$27.54		\$6.50	\$6.45	\$0.31	\$0.00	\$0.00	\$0.00	\$0.00	\$0.00	\$40.80	\$54.57
Tapers and Finishers	\$27.54		\$6.50	\$6.45	\$0.31	\$0.00	\$0.00	\$0.00	\$0.00	\$0.00	\$40.80	\$54.57
r												
<b>Apprentice</b>	<b>Percent</b>											
1st Year	65.00	\$17.90	\$6.50	\$2.30	\$0.31	\$0.00	\$0.00	\$0.00	\$0.00	\$0.00	\$27.01	\$35.96
2nd Year	70.00	\$19.28	\$6.50	\$2.30	\$0.31	\$0.00	\$0.00	\$0.00	\$0.00	\$0.00	\$28.39	\$38.03
3rd Year	80.00	\$22.03	\$6.50	\$2.30	\$0.31	\$0.00	\$0.00	\$0.00	\$0.00	\$0.00	\$31.14	\$42.16
4th Yea	90.00	\$24.79	\$6.50	\$2.30	\$0.31	\$0.00	\$0.00	\$0.00	\$0.00	\$0.00	\$33.90	\$46.29

**Special Calculation Note :** Apprentices shall be paid the proper % of the classification above.

**Ratio :**

1 Journeyman to 1 Apprentice per job

**Jurisdiction ( \* denotes special jurisdictional note ) :**

BROWN, BUTLER, CLERMONT, CLINTON, HAMILTON, WARREN

**Special Jurisdictional Note :**

**Details :**

Industrial Work paid as commercial work above for each class which includes, Industrial Plants, repair garages, processing plants, storage tanks, warehouses, skeletons structures, bridges unless highest point of clearance is 60 feet or more whether new or old construction offices and office buildings in industrial sites are at industrial rates. Heavy & Highway Bridges-Guard Rails- Light Poles. A hazardous steeplejack rate shall apply on radio towers, stacks, light towers, water towers, steeples, skeleton steel, and exterior industrial conveyors over 25 feet, where such items require steeplejack methods and the rate of pay shall be a \$1.00 per hour above the industrial rate. Steeplejack rate to apply to bridges where highest point of clearance is 60 feet.

# Prevailing Wage Rate Skilled Crafts

Name of Union: Painter Locals 123 & 238  
Commercial & Industrial

Change # : LCN02-2023ibLoc123ComInd

Craft : Painter Effective Date : 11/15/2023 Last Posted : 11/15/2023

	BHR		Fringe Benefit Payments					Irrevocable Fund		Total PWR	Overtime Rate	
			H&W	Pension	App Tr.	Vac.	Annuity	Other	LECET (*)			MISC (*)
Classification												
Painter Brush Roll	\$27.54		\$6.50	\$6.45	\$0.31	\$0.00	\$0.00	\$0.00	\$0.00	\$0.00	\$40.80	\$54.57
Paper Hanger	\$27.54		\$6.50	\$6.45	\$0.31	\$0.00	\$0.00	\$0.00	\$0.00	\$0.00	\$40.80	\$54.57
Spray Painter	\$28.04		\$6.50	\$6.45	\$0.31	\$0.00	\$0.00	\$0.00	\$0.00	\$0.00	\$41.30	\$55.32
Sand Blaster Water Blaster	\$28.29		\$6.50	\$6.45	\$0.31	\$0.00	\$0.00	\$0.00	\$0.00	\$0.00	\$41.55	\$55.70
Elevated Tanks	\$28.54		\$6.50	\$6.45	\$0.31	\$0.00	\$0.00	\$0.00	\$0.00	\$0.00	\$41.80	\$56.07
Apprentice	Percent											
1st Year	65.00	\$17.90	\$6.50	\$2.30	\$0.31	\$0.00	\$0.00	\$0.00	\$0.00	\$0.00	\$27.01	\$35.96
2nd Year	70.00	\$19.28	\$6.50	\$2.30	\$0.31	\$0.00	\$0.00	\$0.00	\$0.00	\$0.00	\$28.39	\$38.03
3rd Year	80.00	\$22.03	\$6.50	\$2.30	\$0.31	\$0.00	\$0.00	\$0.00	\$0.00	\$0.00	\$31.14	\$42.16
4th Year	90.00	\$24.79	\$6.50	\$2.30	\$0.31	\$0.00	\$0.00	\$0.00	\$0.00	\$0.00	\$33.90	\$46.29

**Special Calculation Note :** Apprentices shall be paid the proper % of the classification above.

**Ratio :**

(1) Journeymen to (1) Apprentice per jobsite

**Jurisdiction ( \* denotes special jurisdictional note ) :**

BROWN, BUTLER, CLERMONT, CLINTON,  
HAMILTON, WARREN

**Special Jurisdictional Note :**

**Details :**

Industrial Work paid as commercial work above for each class which includes, Industrial Plants, repair garages, processing plants, storage tanks, warehouses, skeletons structures, bridges unless highest point of clearance is 60 feet or more whether new or old construction offices and office buildings in industrial sites are at industrial rates. Heavy & Highway Bridges-Guard Rails- Light Poles. A hazardous steeplejack rate shall apply on radio towers, stacks, light towers, water towers, steeples, skeleton steel, and exterior industrial conveyors over 25 feet, where such items require steeplejack methods and the rate of pay shall be a \$1.00 per hour above the

industrial rate. Steeplejack rate to apply to bridges where highest point of clearance is 60 feet.

# Prevailing Wage Rate Skilled Crafts

Name of Union: Painter Local 123 & 238 Hwy Hwy

Change # : LCN02-2023ibLoc123

Craft : Painter Effective Date : 11/15/2023 Last Posted : 11/15/2023

	BHR		Fringe Benefit Payments					Irrevocable Fund		Total PWR	Overtime Rate	
			H&W	Pension	App Tr.	Vac.	Annuity	Other	LECET (*)			MISC (*)
Classification												
Painter Bridge Class 1	\$37.93		\$6.50	\$6.45	\$0.31	\$0.00	\$0.00	\$0.00	\$0.00	\$0.00	\$51.19	\$70.15
Bridge Painter, Rigger, Containment Builder, Spot Blaster Class 2	\$30.93		\$6.50	\$6.45	\$0.31	\$0.00	\$0.00	\$0.00	\$0.00	\$0.00	\$44.19	\$59.66
Equipment Operator/Field Mechanic, Grit Reclamation, Paint Mixer, Traffic Control, Boat Person Class 3	\$30.93		\$6.50	\$6.45	\$0.31	\$0.00	\$0.00	\$0.00	\$0.00	\$0.00	\$44.19	\$59.66
Concrete Sealing, Concrete Blasting/Power Washing, Etc. Class 4	\$30.93		\$6.50	\$6.45	\$0.31	\$0.00	\$0.00	\$0.00	\$0.00	\$0.00	\$44.19	\$59.66
Quality Control/Quality Assurance, Traffic Safety, Competent Person Class 5	\$30.93		\$6.50	\$6.45	\$0.31	\$0.00	\$0.00	\$0.00	\$0.00	\$0.00	\$44.19	\$59.66
<b>Apprentice</b>	<b>Percent</b>											
1st Year	65.00	\$24.65	\$6.50	\$2.30	\$0.31	\$0.00	\$0.00	\$0.00	\$0.00	\$0.00	\$33.76	\$46.09
2nd Year	70.00	\$26.55	\$6.50	\$2.30	\$0.31	\$0.00	\$0.00	\$0.00	\$0.00	\$0.00	\$35.66	\$48.94
3rd Year	80.00	\$30.34	\$6.50	\$2.30	\$0.31	\$0.00	\$0.00	\$0.00	\$0.00	\$0.00	\$39.45	\$54.63
4th Year	90.00	\$34.14	\$6.50	\$2.30	\$0.31	\$0.00	\$0.00	\$0.00	\$0.00	\$0.00	\$43.25	\$60.32

**Special Calculation Note :** Apprentices shall be paid proper % of the classification above..

**Ratio :**

**Jurisdiction ( \* denotes special jurisdictional note ) :**

**Special Jurisdictional Note :**

**Details :**

Industrial Work paid as commercial work above for each class which includes, Industrial Plants, repair garages, processing plants, storage tanks, warehouses, skeletons structures, bridges unless highest point of clearance is 60 feet or more whether new or old construction offices and office buildings in industrial sites are at industrial rates. Heavy & Highway Bridges-Guard Rails- Light Poles. A hazardous steeplejack rate shall apply on radio towers, stacks, light towers, water towers, steeples, skeleton steel, and exterior industrial conveyors over 25 feet, where such items require steeplejack methods and the rate of pay shall be a \$1.00 per hour above the industrial rate. Steeplejack rate to apply to bridges where highest point of clearance is 60 feet.

Class 1 – Abrasive blasting of any kind.

Class 2 – Bridge painting, coating application of any kind. All steel surface preparation other than abrasive blasting. All necessary rigging and containment building. All remedial/ spot blasting.

Class 3 – Tend to all equipment including but not limited to abrasive blasting, power washing, spray painting, forklifts, hoists, trucks, etc. Load and unload trucks, handle materials, man safety boats, handle traffic control, clean up/ vacuum abrasive blast materials and related tasks.

Class 4 – All aspects of concrete coating/ sealing including but not limited to preparation, containment, etc.

Class 5 – Verify and record that all work is completed according to job specifications. Assure that all health and safety standards are adhered to. Assure all traffic is safely handled.



# Prevailing Wage Rate Skilled Crafts

Name of Union: Painter Local 639 Zone 2 Sign

Change # : LCN01-2023ibLoc639

Craft : Painter Effective Date : 03/22/2023 Last Posted : 03/22/2023

	BHR	Fringe Benefit Payments						Irrevocable Fund		Total PWR	Overtime Rate
		H&W	Pension	App Tr.	Vac.	Annuity	Other	LECET (*)	MISC (*)		
Classification											
Painter Sign Journeyman Tech/Team Leader Class A	\$25.28	\$1.70	\$0.21	\$0.00	\$0.00	\$0.00	\$0.68	\$0.00	\$0.00	\$27.87	\$40.51
Painter Sign Journeyman Tech/Team Leader Class B	\$25.28	\$1.70	\$0.21	\$0.00	\$0.49	\$0.00	\$0.68	\$0.00	\$0.00	\$28.36	\$41.00
Painter Sign Journeyman Tech/Team Leader Class C	\$25.28	\$1.70	\$0.21	\$0.00	\$0.97	\$0.00	\$0.68	\$0.00	\$0.00	\$28.84	\$41.48
Painter Sign Journeyman Tech/Team Leader Class D	\$25.28	\$1.70	\$0.21	\$0.00	\$1.46	\$0.00	\$0.68	\$0.00	\$0.00	\$29.33	\$41.97
Sign Journeyman Class A	\$25.00	\$1.70	\$0.21	\$0.00	\$0.00	\$0.00	\$0.67	\$0.00	\$0.00	\$27.58	\$40.08
Sign Journeyman Class B	\$25.00	\$1.70	\$0.21	\$0.00	\$0.48	\$0.00	\$0.67	\$0.00	\$0.00	\$28.06	\$40.56
Sign Journeyman Class C	\$25.00	\$1.70	\$0.21	\$0.00	\$0.96	\$0.00	\$0.67	\$0.00	\$0.00	\$28.54	\$41.04
Sign Journeyman Class D	\$25.00	\$1.70	\$0.21	\$0.00	\$1.44	\$0.00	\$0.67	\$0.00	\$0.00	\$29.02	\$41.52
Tech Sign Fabrication/ Erector Class A	\$19.67	\$1.70	\$0.21	\$0.00	\$0.00	\$0.00	\$0.53	\$0.00	\$0.00	\$22.11	\$31.95

Tech Sign Fabrication/ Erector Class B	\$19.67	\$1.70	\$0.21	\$0.00	\$0.38	\$0.00	\$0.53	\$0.00	\$0.00	\$22.49	\$32.33
Tech Sign Fabrication/ Erector Class C	\$19.67	\$1.70	\$0.21	\$0.00	\$0.76	\$0.00	\$0.53	\$0.00	\$0.00	\$22.87	\$32.71
Tech Sign Fabrication/ Erector Class D	\$19.67	\$1.70	\$0.21	\$0.00	\$1.13	\$0.00	\$0.53	\$0.00	\$0.00	\$23.24	\$33.08

**Special Calculation Note :** Other is for paid holidays.

**Ratio :**

**Jurisdiction ( \* denotes special jurisdictional note ) :**

ADAMS, ALLEN, AUGLAIZE, BROWN, BUTLER, CARROLL, CHAMPAIGN, CLARK, CLERMONT, CLINTON, COLUMBIANA, COSHOCTON, CRAWFORD, DARKE, DEFIANCE, DELAWARE, ERIE, FAIRFIELD, FAYETTE, FRANKLIN, FULTON, GREENE, HAMILTON, HANCOCK, HARDIN, HENRY, HIGHLAND, HOLMES, HURON, JACKSON, KNOX, LICKING, LOGAN, LORAIN, LUCAS, MADISON, MAHONING, MARION, MERCER, MIAMI, MONTGOMERY, MORROW, MUSKINGUM, OTTAWA, PAULDING, PERRY, PICKAWAY, PIKE, PREBLE, PUTNAM, ROSS, SANDUSKY, SCIOTO, SENECA, SHELBY, STARK, TRUMBULL, TUSCARAWAS, UNION, VAN WERT, WARREN, WAYNE, WILLIAMS, WOOD, WYANDOT

**Special Jurisdictional Note :**

**Details :**

Class A: less that 1 year.

Class B: 1-3 years.

Class C; 3-10 years.

Class D: More than 10 years.

# Prevailing Wage Rate Skilled Crafts

Name of Union: Painter Local 639

Change # : LCNO1-2015fbLoc639

Craft : Painter Effective Date : 06/10/2015 Last Posted : 06/10/2015

	BHR	Fringe Benefit Payments						Irrevocable Fund		Total PWR	Overtime Rate
		H&W	Pension	App Tr.	Vac.	Annuity	Other	LECET (*)	MISC (*)		
<b>Classification</b>											
Painter Metal Finisher/Helpers											
Top Helper Class A	\$19.09	\$3.65	\$0.00	\$0.00	\$0.66	\$0.00	\$0.00	\$0.00	\$0.00	\$23.40	\$32.94
Top Helper Class B	\$19.09	\$3.65	\$0.65	\$0.00	\$1.03	\$0.00	\$0.37	\$0.00	\$0.00	\$24.79	\$34.33
Top Helper Class C	\$19.09	\$3.65	\$1.00	\$0.00	\$1.76	\$0.00	\$0.37	\$0.00	\$0.00	\$25.87	\$35.41
Helper Class A	\$14.69	\$3.65	\$0.00	\$0.00	\$0.51	\$0.00	\$0.00	\$0.00	\$0.00	\$18.85	\$26.19
Helper Class B	\$14.69	\$3.65	\$0.65	\$0.00	\$0.79	\$0.00	\$0.28	\$0.00	\$0.00	\$20.06	\$27.40
Helper Class C	\$14.69	\$3.65	\$1.00	\$0.00	\$1.64	\$0.00	\$0.28	\$0.00	\$0.00	\$21.26	\$28.60
New Hire 90 Days	\$11.00	\$3.65	\$0.00	\$0.00	\$0.00	\$0.00	\$0.00	\$0.00	\$0.00	\$14.65	\$20.15

**Special Calculation Note :** Other is Sick and Personal Time

**Ratio :**

**Jurisdiction ( \* denotes special jurisdictional note ) :**

ADAMS, ALLEN, ASHLAND, ASHTABULA, ATHENS, AUGLAIZE, BELMONT, BROWN, BUTLER, CARROLL, CHAMPAIGN, CLARK, CLERMONT, CLINTON, COLUMBIANA, COSHOCTON, CRAWFORD, CUYAHOGA, DARKE, DEFIANCE, DELAWARE, ERIE, FAIRFIELD, FAYETTE, FRANKLIN, FULTON, GALLIA, GEauga, GREENE, GUERNSEY, HAMILTON, HANCOCK, HARDIN, HARRISON, HENRY, HIGHLAND, HOCKING, HOLMES, HURON, JACKSON, JEFFERSON, KNOX, LAKE, LAWRENCE, LICKING, LOGAN, LORAIN, LUCAS, MADISON, MAHONING, MARION, MEDINA, MEIGS, MERCER, MIAMI, MONROE, MONTGOMERY, MORGAN, MORROW, MUSKINGUM, NOBLE, OTTAWA, PAULDING, PERRY, PICKAWAY, PIKE, PORTAGE, PREBLE, PUTNAM, RICHLAND, ROSS, SANDUSKY,

SCIOTO, SENECA, SHELBY, STARK, SUMMIT,  
TRUMBULL, TUSCARAWAS, UNION, VAN  
WERT, VINTON, WARREN, WASHINGTON,  
WAYNE, WILLIAMS, WOOD, WYANDOT

**Special Jurisdictional Note :**

**Details :**

Top Helper: Shall perform the responsibilities of a Helper and be responsible for the setup, break down, safety and quality of the company's product.

Helper : Shall be responsible for performing tasks in refinishing, compliance with safety procedures, setting up and breaking down job sites, scaffolding and swing stages and preparing surfaces for refinishing including but not limited to, masking and stripping and cleaning, oxidizing, polishing and scratch removal on various surfaces

Class A Workers: Less than 1 Year of Service.

Class B Workers: More than 1 and less than 8 Years of Service.

Class C Workers: More than 8 Years of Service.

Metal Polisher Scope of Work: Polishing, buffing, stripping, coloring, lacquering, spraying, cleaning and maintenance of ornamental and architectural metals, iron, bronze, nickel, aluminum and stainless steel and in mental specialty work, various stone finishes, stone specialty work and any other work pertaining to the finishing of metal, stones, woods, and any window washing/cleaning done in conjunction with this work, using chemicals, solvents, coatings and hand applied lacquer thinner, removing scratches from mirror finished metals, burnishing of bronze, statuary finishes on exterior and interior surfaces and the use of all tools required to perform such work, including but not limited to polishes, spray equipment and scaffolding.

Swing State Rate: All work on scaffold 4 sections or higher, including any boom lifts and swing stage scaffolds including the rigging and derigging of hanging/suspended swing stage systems and rappelling/bolson chair work, ADD \$1.50 per hour.

# Prevailing Wage Rate Skilled Crafts

Name of Union: Painter Local 639 Zone 2 Sign

Change # : LCN01-2016fbLoc639

Craft : Painter Effective Date : 08/03/2016 Last Posted : 08/03/2016

	BHR	Fringe Benefit Payments						Irrevocable Fund		Total PWR	Overtime Rate
		H&W	Pension	App Tr.	Vac.	Annuity	Other	LECET (*)	MISC (*)		
Classification											
Painter Sign Journeyman Tech/Team Leader Class A	\$21.25	\$1.33	\$0.14	\$0.00	\$0.00	\$0.00	\$0.57	\$0.00	\$0.00	\$23.29	\$33.92
Painter Sign Journeyman Tech/Team Leader Class B	\$21.25	\$1.33	\$0.14	\$0.00	\$0.41	\$0.00	\$0.57	\$0.00	\$0.00	\$23.70	\$34.32
Painter Sign Journeyman Tech/Team Leader Class C	\$21.25	\$1.33	\$0.14	\$0.00	\$0.82	\$0.00	\$0.57	\$0.00	\$0.00	\$24.11	\$34.74
Painter Sign Journeyman Tech/Team Leader Class D	\$21.25	\$1.33	\$0.14	\$0.00	\$1.23	\$0.00	\$0.57	\$0.00	\$0.00	\$24.52	\$35.14
Sign Journeyman Class A	\$20.98	\$1.33	\$0.14	\$0.00	\$0.00	\$0.00	\$0.56	\$0.00	\$0.00	\$23.01	\$33.50
Sign Journeyman Class B	\$20.98	\$1.33	\$0.14	\$0.00	\$0.40	\$0.00	\$0.56	\$0.00	\$0.00	\$23.41	\$33.90
Sign Journeyman Class C	\$20.98	\$1.33	\$0.14	\$0.00	\$0.81	\$0.00	\$0.56	\$0.00	\$0.00	\$23.82	\$34.31
Sign Journeyman Class D	\$20.98	\$1.33	\$0.14	\$0.00	\$1.21	\$0.00	\$0.56	\$0.00	\$0.00	\$24.22	\$34.71
Tech Sign Fabrication/Erector Class A	\$15.90	\$1.33	\$0.14	\$0.00	\$0.00	\$0.00	\$0.43	\$0.00	\$0.00	\$17.80	\$25.75
Tech Sign Fabrication/Erector Class B	\$15.90	\$1.33	\$0.14	\$0.00	\$0.31	\$0.00	\$0.43	\$0.00	\$0.00	\$18.11	\$26.06
Tech Sign Fabrication/Erector Class C	\$15.90	\$1.33	\$0.14	\$0.00	\$0.61	\$0.00	\$0.43	\$0.00	\$0.00	\$18.41	\$26.36
Tech Sign Fabrication/Erector Class D	\$15.90	\$1.33	\$0.14	\$0.00	\$0.92	\$0.00	\$0.43	\$0.00	\$0.00	\$18.72	\$26.67

**Special Calculation Note :** Other is for paid holidays.

**Ratio :**

**Jurisdiction ( \* denotes special jurisdictional note ) :**

ADAMS, ALLEN, AUGLAIZE, BROWN, BUTLER,  
CARROLL, CHAMPAIGN, CLARK, CLERMONT, CLINTON,  
COLUMBIANA, COSHOCTON, CRAWFORD, DARKE,  
DEFIANCE, DELAWARE, ERIE, FAIRFIELD, FAYETTE,  
FRANKLIN, FULTON, GREENE, HAMILTON, HANCOCK,  
HARDIN, HENRY, HIGHLAND, HOLMES, HURON,  
JACKSON, KNOX, LICKING, LOGAN, LORAIN, LUCAS,  
MADISON, MAHONING, MARION, MERCER, MIAMI,  
MONTGOMERY, MORROW, MUSKINGUM, OTTAWA,  
PAULDING, PERRY, PICKAWAY, PIKE, PREBLE,  
PUTNAM, ROSS, SANDUSKY, SCIOTO, SENECA,  
SHELBY, STARK, TRUMBULL, TUSCARAWAS, UNION,  
VAN WERT, WARREN, WAYNE, WILLIAMS, WOOD,  
WYANDOT

**Special Jurisdictional Note :**

**Details :**

Class A: less than 1 year.

Class B: 1-3 years.

Class C: 3-10 years.

Class D: More than 10 years.

# Prevailing Wage Rate Skilled Crafts

Name of Union: Plasterer Local 132 (Cincinnati)

Change # : LCN01-2023ibLoc132Cinci

Craft : Plasterer Effective Date : 07/01/2023 Last Posted : 06/28/2023

	BHR		Fringe Benefit Payments					Irrevocable Fund		Total PWR	Overtime Rate	
			H&W	Pension	App Tr.	Vac.	Annuity	Other	LECET (*)			MISC (*)
Classification												
Plasterer	\$28.40		\$5.80	\$8.74	\$0.70	\$0.00	\$1.00	\$0.06	\$0.00	\$0.00	\$44.70	\$58.90
Apprentice	Percent											
1st 900 hours	70.00	\$19.88	\$5.80	\$0.00	\$0.70	\$0.00	\$1.00	\$0.06	\$0.00	\$0.00	\$27.44	\$37.38
2nd 900 hours	74.00	\$21.02	\$5.80	\$0.00	\$0.70	\$0.00	\$1.00	\$0.06	\$0.00	\$0.00	\$28.58	\$39.08
3rd 900 hours	78.00	\$22.15	\$5.80	\$7.74	\$0.70	\$0.00	\$1.00	\$0.06	\$0.00	\$0.00	\$37.45	\$48.53
4th 900 hours	82.00	\$23.29	\$5.80	\$7.74	\$0.70	\$0.00	\$1.00	\$0.06	\$0.00	\$0.00	\$38.59	\$50.23
5th 900 hours	86.00	\$24.42	\$5.80	\$7.74	\$0.70	\$0.00	\$1.00	\$0.06	\$0.00	\$0.00	\$39.72	\$51.94
6th 900 hours	90.00	\$25.56	\$5.80	\$7.74	\$0.70	\$0.00	\$1.00	\$0.06	\$0.00	\$0.00	\$40.86	\$53.64
7th 900 hours	94.00	\$26.70	\$5.80	\$7.74	\$0.70	\$0.00	\$1.00	\$0.06	\$0.00	\$0.00	\$42.00	\$55.34
8th 900 hours	98.00	\$27.83	\$5.80	\$7.74	\$0.70	\$0.00	\$1.00	\$0.06	\$0.00	\$0.00	\$43.13	\$57.05

**Special Calculation Note :** No special calculations for this skilled craft wage rate are required at this time.

\*Other is International Training

**Ratio :**

- 1 Journeyman to 1 Apprentice
- 4 Journeyman to 2 Apprentice
- 7 Journeyman to 3 Apprentice

**Jurisdiction ( \* denotes special jurisdictional note ) :**

BROWN, BUTLER, CLERMONT, HAMILTON, HIGHLAND, WARREN

**Special Jurisdictional Note :**

**Details :**

Apprentice and Shop Hand Pension are \$1.00 less than Journeyman.

# Prevailing Wage Rate Skilled Crafts

Name of Union: Plumber Pipefitter Local 392

Change # : LCN01-2023ibLoc392

Craft : Plumber/Pipefitter Effective Date : 06/01/2023 Last Posted : 05/31/2023

	BHR		Fringe Benefit Payments					Irrevocable Fund		Total PWR	Overtime Rate	
			H&W	Pension	App Tr.	Vac.	Annuity	Other	LECET (*)			MISC (*)
Classification												
Plumber Pipefitter	\$38.62		\$10.58	\$13.93	\$0.79	\$0.00	\$0.00	\$0.53	\$0.00	\$0.00	\$64.45	\$83.76
Plumber Helper	\$25.10		\$10.48	\$7.24	\$0.79	\$0.00	\$0.00	\$0.00	\$0.00	\$0.00	\$43.61	\$56.16
Apprentice	Percent											
1st Year	52.00	\$20.08	\$10.38	\$1.05	\$0.79	\$0.00	\$0.00	\$0.53	\$0.00	\$0.00	\$32.83	\$42.87
2nd Year	55.00	\$21.24	\$10.38	\$1.05	\$0.79	\$0.00	\$0.00	\$0.53	\$0.00	\$0.00	\$33.99	\$44.61
3rd Year	58.00	\$22.40	\$10.38	\$7.74	\$0.79	\$0.00	\$0.00	\$0.53	\$0.00	\$0.00	\$41.84	\$53.04
4th Year	62.00	\$23.94	\$10.38	\$7.74	\$0.79	\$0.00	\$0.00	\$0.53	\$0.00	\$0.00	\$43.38	\$55.36
5th Year	75.00	\$28.96	\$10.38	\$13.93	\$0.79	\$0.00	\$0.00	\$0.53	\$0.00	\$0.00	\$54.60	\$69.08

**Special Calculation Note :** OTHER IS: SUPPLEMENTAL UNEMPLOYMENT BENEFITS.

**Ratio :**

- 1 Journeymen to 1 Apprentice
- 2 Journeymen to 4 Apprentices
- 3 Journeymen to 6 Apprentices

**Jurisdiction ( \* denotes special jurisdictional note ) :**

BROWN, BUTLER, CLERMONT, HAMILTON, WARREN

When more than Sixteen (16) Journeymen are employed additional apprentices may be acquired at a ratio of one (1) apprentice to four (4) journeymen.

**Special Jurisdictional Note :**

**Details :**

Helpers shall be permitted to work on ONLY , Exterior Sewers, Concrete, Vitrified Clay or PVC Pipe and Digging and Backfilling for Piping Work. The ratio shall not exceed 2 helpers to 1 Journeymen when performing the scope of work listed above



# Prevailing Wage Rate Skilled Crafts

Name of Union: Roofer Local 42

Change # : LCNO1-2022ibLoc42

Craft : Roofer Effective Date : 12/07/2022 Last Posted : 12/07/2022

	BHR		Fringe Benefit Payments					Irrevocable Fund		Total PWR	Overtime Rate	
			H&W	Pension	App Tr.	Vac.	Annuity	Other	LECET (*)			MISC (*)
Classification												
Roofer	\$30.90		\$8.20	\$8.15	\$0.50	\$0.00	\$1.25	\$0.15	\$0.00	\$0.00	\$49.15	\$64.60
Tradesmen	\$24.72		\$8.20	\$6.51	\$0.00	\$0.00	\$1.25	\$0.06	\$0.00	\$0.00	\$40.74	\$53.10
Apprentice	Percent											
1st period	65.02	\$20.09	\$8.20	\$5.30	\$0.00	\$0.00	\$1.25	\$0.00	\$0.00	\$0.00	\$34.84	\$44.89
2nd period	70.00	\$21.63	\$8.20	\$5.71	\$0.00	\$0.00	\$1.25	\$0.00	\$0.00	\$0.00	\$36.79	\$47.60
3rd period	80.00	\$24.72	\$8.20	\$6.52	\$0.00	\$0.00	\$1.25	\$0.00	\$0.00	\$0.00	\$40.69	\$53.05

**Special Calculation Note :** Other is for Training Fund

**Ratio :**

Employer may employ 1 apprentice for every 2 journeymen in his employment.

**Jurisdiction ( \* denotes special jurisdictional note ) :**

ADAMS, BROWN, BUTLER, CLERMONT, HAMILTON, PIKE, WARREN

**Special Jurisdictional Note :**

**Details :**

Any Tradesman Worker completing 2,000 hours in (2) years may move to Journeyman status by utilizing the Training Yard to improve their skills. Tradesman Workers will be tested at these yards to determine their competency for Journeyman status. Tradesman Workers must schedule and successfully complete the industry test battery in order to gain journeyman status.

# Prevailing Wage Rate Skilled Crafts

Name of Union: Sheet Metal Local 24 (Dayton)

Change # : LCN01-2023ibLoc24(Day)

Craft : Sheet Metal Worker Effective Date : 06/07/2023 Last Posted : 06/07/2023

	BHR		Fringe Benefit Payments					Irrevocable Fund		Total PWR	Overtime Rate	
			H&W	Pension	App Tr.	Vac.	Annuity	Other	LECET (*)			MISC (*)
Classification												
Sheet Metal Worker	\$31.23		\$9.64	\$15.10	\$1.05	\$0.00	\$0.00	\$0.00	\$0.00	\$0.00	\$57.02	\$72.63
<b>Apprentice</b>	<b>Percent</b>											
Apprentice												
5th Year B	85.00	\$26.55	\$9.40	\$11.47	\$1.05	\$0.00	\$0.00	\$0.00	\$0.00	\$0.00	\$48.47	\$61.74
5th Year A	80.00	\$24.98	\$9.31	\$10.28	\$1.05	\$0.00	\$0.00	\$0.00	\$0.00	\$0.00	\$45.62	\$58.12
4th Year B	75.00	\$23.42	\$9.23	\$9.07	\$1.05	\$0.00	\$0.00	\$0.00	\$0.00	\$0.00	\$42.77	\$54.48
4th Year A	70.00	\$21.86	\$9.15	\$7.85	\$1.05	\$0.00	\$0.00	\$0.00	\$0.00	\$0.00	\$39.91	\$50.84
3rd year B	65.00	\$20.30	\$9.06	\$6.65	\$1.05	\$0.00	\$0.00	\$0.00	\$0.00	\$0.00	\$37.06	\$47.21
3rd Year A	60.00	\$18.74	\$8.98	\$5.44	\$1.05	\$0.00	\$0.00	\$0.00	\$0.00	\$0.00	\$34.21	\$43.58
2 Year B	57.52	\$17.96	\$8.94	\$4.84	\$1.05	\$0.00	\$0.00	\$0.00	\$0.00	\$0.00	\$32.79	\$41.78
2 Year A	55.00	\$17.18	\$8.90	\$4.23	\$1.05	\$0.00	\$0.00	\$0.00	\$0.00	\$0.00	\$31.36	\$39.94
Probationary 1 Year	52.50	\$16.40	\$8.86	\$3.63	\$1.05	\$0.00	\$0.00	\$0.00	\$0.00	\$0.00	\$29.94	\$38.13

**Special Calculation Note :** No special calculations for this skilled craft wage rate are required at this time.

**Ratio :**

1 Journeyman to 1 Apprentice then,  
1 Apprentice for every 2 Journeymen thereafter

**Jurisdiction ( \* denotes special jurisdictional note ) :**

ALLEN, AUGLAIZE, BUTLER, CHAMPAIGN,  
CLARK, CLINTON, DARKE, GREENE, HARDIN,  
LOGAN, MERCER, MIAMI, MONTGOMERY,  
PREBLE, SHELBY, VAN WERT, WARREN,  
WYANDOT

**Special Jurisdictional Note :**

**Details :**

# Prevailing Wage Rate Skilled Crafts

Name of Union: Sprinkler Fitter Local 669

Change # : LCN01-2022sksLoc669

Craft : Sprinkler Fitter Effective Date : 04/06/2022 Last Posted : 04/06/2022

	BHR		Fringe Benefit Payments					Irrevocable Fund		Total PWR	Overtime Rate	
			H&W	Pension	App Tr.	Vac.	Annuity	Other	LECET (*)			MISC (*)
Classification												
Sprinkler Fitter	\$43.75		\$10.99	\$7.10	\$0.52	\$0.00	\$5.12	\$0.00	\$0.00	\$0.00	\$67.48	\$89.35
Apprentice Indentured after April 1, 2013	Percent											
CLASS 1	45.00	\$19.69	\$7.85	\$0.00	\$0.52	\$0.00	\$0.00	\$0.00	\$0.00	\$0.00	\$28.06	\$37.90
CLASS 2	50.02	\$21.88	\$7.85	\$0.00	\$0.52	\$0.00	\$0.00	\$0.00	\$0.00	\$0.00	\$30.25	\$41.20
CLASS 3	54.43	\$23.81	\$10.99	\$7.10	\$0.52	\$0.00	\$1.15	\$0.00	\$0.00	\$0.00	\$43.57	\$55.48
CLASS 4	59.43	\$26.00	\$10.99	\$7.10	\$0.52	\$0.00	\$1.15	\$0.00	\$0.00	\$0.00	\$45.76	\$58.76
CLASS 5	64.43	\$28.19	\$10.99	\$7.10	\$0.52	\$0.00	\$1.40	\$0.00	\$0.00	\$0.00	\$48.20	\$62.29
CLASS 6	69.43	\$30.38	\$10.99	\$7.10	\$0.52	\$0.00	\$1.40	\$0.00	\$0.00	\$0.00	\$50.39	\$65.57
CLASS 7	74.43	\$32.56	\$10.99	\$7.10	\$0.52	\$0.00	\$1.40	\$0.00	\$0.00	\$0.00	\$52.57	\$68.85
CLASS 8	79.42	\$34.75	\$10.99	\$7.10	\$0.52	\$0.00	\$1.40	\$0.00	\$0.00	\$0.00	\$54.76	\$72.13
CLASS 9	84.43	\$36.94	\$10.99	\$7.10	\$0.52	\$0.00	\$1.40	\$0.00	\$0.00	\$0.00	\$56.95	\$75.42
CLASS 10	89.44	\$39.13	\$10.99	\$7.10	\$0.52	\$0.00	\$1.40	\$0.00	\$0.00	\$0.00	\$59.14	\$78.70

**Special Calculation Note :**

**Ratio :**

1 Journeyman to 1 Apprentice

**Jurisdiction ( \* denotes special jurisdictional note ) :**

ADAMS, ALLEN, ASHLAND, ASHTABULA, ATHENS, AUGLAIZE, BELMONT, BROWN, BUTLER, CARROLL, CHAMPAIGN, CLARK, CLERMONT, CLINTON, COLUMBIANA, COSHOCTON, CRAWFORD, DARKE, DEFIANCE, DELAWARE, ERIE, FAIRFIELD, FAYETTE, FRANKLIN, FULTON, GALLIA, GREENE, GUERNSEY, HAMILTON, HANCOCK, HARDIN, HARRISON, HENRY, HIGHLAND, HOCKING, HOLMES, HURON, JACKSON, JEFFERSON, KNOX, LAWRENCE, LICKING, LOGAN, LUCAS, MADISON, MAHONING, MARION, MEDINA, MEIGS, MERCER, MIAMI, MONROE, MONTGOMERY, MORGAN, MORROW,

MUSKINGUM, NOBLE, OTTAWA, PAULDING,  
PERRY, PICKAWAY, PIKE, PORTAGE, PREBLE,  
PUTNAM, RICHLAND, ROSS, SANDUSKY,  
SCIOTO, SENECA, SHELBY, STARK, SUMMIT,  
TRUMBULL, TUSCARAWAS, UNION, VAN WERT,  
VINTON, WARREN, WASHINGTON, WAYNE,  
WILLIAMS, WOOD, WYANDOT

**Special Jurisdictional Note :**

**Details :**

Sprinkler Fitter work shall consist of the installation, dismantling, maintenance, repairs, adjustments, and corrections of all fire protection and fire control systems including the unloading, handling by hand, power equipment and installation of all piping or tubing, appurtenances and equipment pertaining thereto, including both overhead and underground water mains, fire hydrants and hydrant mains, standpipes and hose connections to sprinkler systems used in connection with sprinkler and alarm systems. Also all tanks and pumps connected thereto, also included shall be CO-2 and Cardox Systems, Dry Chemical Systems, Foam Systems and all other fire protection systems.

# Prevailing Wage Rate Skilled Crafts

Name of Union: Truck Driver Bldg & HevHwy Class 1  
Locals 20,40,92,92b,100,175,284,438,377,637,908,957

Change # : LCN01-2023ibBldgHevHwy

Craft : Truck Driver Effective Date : 05/01/2023 Last Posted : 04/26/2023

	BHR		Fringe Benefit Payments					Irrevocable Fund		Total PWR	Overtime Rate	
			H&W	Pension	App Tr.	Vac.	Annuity	Other	LECET (*)			MISC (*)
Classification												
Truck Driver CLASS 1 4 wheel service, dump, and batch trucks; drivers on tandems; truck sweepers (not to include power sweepers & scrubbers)	\$31.24		\$7.75	\$9.20	\$0.20	\$0.00	\$0.00	\$0.00	\$0.00	\$0.00	\$48.39	\$64.01
Apprentice	Percent											
First 6 months	80.00	\$24.99	\$7.75	\$9.20	\$0.20	\$0.00	\$0.00	\$0.00	\$0.00	\$0.00	\$42.14	\$54.64
7-12 months	85.00	\$26.55	\$7.75	\$9.20	\$0.20	\$0.00	\$0.00	\$0.00	\$0.00	\$0.00	\$43.70	\$56.98
13-18 months	90.00	\$28.12	\$7.75	\$9.20	\$0.20	\$0.00	\$0.00	\$0.00	\$0.00	\$0.00	\$45.27	\$59.32
19-24 months	95.00	\$29.68	\$7.75	\$9.20	\$0.20	\$0.00	\$0.00	\$0.00	\$0.00	\$0.00	\$46.83	\$61.67
25-30 months	100.00	\$31.24	\$7.75	\$9.20	\$0.20	\$0.00	\$0.00	\$0.00	\$0.00	\$0.00	\$48.39	\$64.01

**Special Calculation Note :** No special calculations for this skilled craft wage rate are required at this time.

**Ratio :**

3 Journeymen to 1 Apprentice

**Jurisdiction ( \* denotes special jurisdictional note ) :**

ADAMS, ALLEN, ASHLAND, ASHTABULA, ATHENS, AUGLAIZE, BELMONT, BROWN, BUTLER, CARROLL, CHAMPAIGN, CLARK,

CLERMONT, CLINTON, COLUMBIANA,  
COSHOCOTON, CRAWFORD, DARKE, DEFIANCE,  
DELAWARE, ERIE, FAIRFIELD, FAYETTE,  
FRANKLIN, FULTON, GALLIA, GREENE,  
GUERNSEY, HAMILTON, HANCOCK, HARDIN,  
HARRISON, HENRY, HIGHLAND, HOCKING,  
HOLMES, HURON, JACKSON, JEFFERSON,  
KNOX, LAWRENCE, LICKING, LOGAN, LORAIN,  
LUCAS, MADISON, MAHONING, MARION,  
MEDINA, MEIGS, MERCER, MIAMI, MONROE,  
MONTGOMERY, MORGAN, MORROW,  
MUSKINGUM, NOBLE, OTTAWA, PAULDING,  
PERRY, PICKAWAY, PIKE, PORTAGE, PREBLE,  
PUTNAM, RICHLAND, ROSS, SANDUSKY,  
SCIOTO, SENECA, SHELBY, STARK, SUMMIT,  
TRUMBULL, TUSCARAWAS, UNION, VAN WERT,  
VINTON, WARREN, WASHINGTON, WAYNE,  
WILLIAMS, WOOD, WYANDOT

**Special Jurisdictional Note :**

**Details :**

# Prevailing Wage Rate Skilled Crafts

Name of Union: Truck Driver Bldg & Hwy Class 2  
Locals 20,40,92,92b,100,175,284,438,377,637,908,957

Change # : LCN01-2023ibBldgHwy

Craft : Truck Driver Effective Date : 05/01/2023 Last Posted : 04/26/2023

	BHR		Fringe Benefit Payments					Irrevocable Fund		Total PWR	Overtime Rate	
			H&W	Pension	App Tr.	Vac.	Annuity	Other	LECET (*)			MISC (*)
Classification												
Truck Driver CLASS 2 Tractor Trailer-Semi Tractor Trucks; Pole Trailers; Ready Mix Trucks; Fuel Trucks; 5 Axle & Over; Belly Dumps; Low boys - Heavy duty Equipment(irrespective of load carried) when used exclusively for transportation; Truck Mechanics (when needed)	\$31.66		\$7.75	\$9.20	\$0.20	\$0.00	\$0.00	\$0.00	\$0.00	\$0.00	\$48.81	\$64.64
Apprentice	Percent											
First 6 months	80.00	\$25.33	\$7.75	\$9.20	\$0.20	\$0.00	\$0.00	\$0.00	\$0.00	\$0.00	\$42.48	\$55.14
7-12 months	85.00	\$26.91	\$7.75	\$9.20	\$0.20	\$0.00	\$0.00	\$0.00	\$0.00	\$0.00	\$44.06	\$57.52
13-18 months	90.00	\$28.49	\$7.75	\$9.20	\$0.20	\$0.00	\$0.00	\$0.00	\$0.00	\$0.00	\$45.64	\$59.89
19-24 months	95.00	\$30.08	\$7.75	\$9.20	\$0.20	\$0.00	\$0.00	\$0.00	\$0.00	\$0.00	\$47.23	\$62.27
25-30 months	100.00	\$31.66	\$7.75	\$9.20	\$0.20	\$0.00	\$0.00	\$0.00	\$0.00	\$0.00	\$48.81	\$64.64

**Special Calculation Note :** No special calculations for this skilled craft wage rate are required at this time.

**Ratio :**

3 Journeymen to 1 Apprentice

**Jurisdiction ( \* denotes special jurisdictional note ) :**

ADAMS, ALLEN, ASHLAND, ASHTABULA, ATHENS, AUGLAIZE, BELMONT, BROWN, BUTLER, CARROLL, CHAMPAIGN, CLARK, CLERMONT, CLINTON, COLUMBIANA, COSHOCTON, CRAWFORD, DARKE, DEFIANCE, DELAWARE, ERIE, FAIRFIELD, FAYETTE, FRANKLIN, FULTON, GALLIA, GREENE, GUERNSEY, HAMILTON, HANCOCK, HARDIN, HARRISON, HENRY, HIGHLAND, HOCKING, HOLMES, HURON, JACKSON, JEFFERSON,

KNOX, LAWRENCE, LICKING, LOGAN, LORAIN,  
LUCAS, MADISON, MAHONING, MARION,  
MEDINA, MEIGS, MERCER, MIAMI, MONROE,  
MONTGOMERY, MORGAN, MORROW,  
MUSKINGUM, NOBLE, OTTAWA, PAULDING,  
PERRY, PICKAWAY, PIKE, PORTAGE, PREBLE,  
PUTNAM, RICHLAND, ROSS, SANDUSKY,  
SCIOTO, SENECA, SHELBY, STARK, SUMMIT,  
TRUMBULL, TUSCARAWAS, UNION, VAN WERT,  
VINTON, WARREN, WASHINGTON, WAYNE,  
WILLIAMS, WOOD, WYANDOT

**Special Jurisdictional Note :**

**Details :**



# Prevailing Wage Rate

## Skilled Crafts

Name of Union: Truck Driver Bldg & HevHwy Class 3  
 Locals 20,40,92,92b,100,175,284,438,377,637,908,957

Change # : LCN01-2023ibBldgHevHwy3

Craft : Truck Driver Effective Date : 05/01/2023 Last Posted : 04/26/2023

	BHR		Fringe Benefit Payments					Irrevocable Fund		Total PWR	Overtime Rate	
			H&W	Pension	App Tr.	Vac.	Annuity	Other	LECET (*)	MISC (*)		
Classification												
Truck Driver CLASS 3 Articulated Dump Trucks; Ridge-Frame Rock Trucks; Distributor Trucks)	\$32.66		\$7.75	\$9.20	\$0.20	\$0.00	\$0.00	\$0.00	\$0.00	\$0.00	\$49.81	\$66.14
Apprentice	Percent											
First 6 months	80.00	\$26.13	\$7.75	\$9.20	\$0.20	\$0.00	\$0.00	\$0.00	\$0.00	\$0.00	\$43.28	\$56.34
7-12 months	85.00	\$27.76	\$7.75	\$9.20	\$0.20	\$0.00	\$0.00	\$0.00	\$0.00	\$0.00	\$44.91	\$58.79
13-18 months	90.00	\$29.39	\$7.75	\$9.20	\$0.20	\$0.00	\$0.00	\$0.00	\$0.00	\$0.00	\$46.54	\$61.24
19-24 months	95.00	\$31.03	\$7.75	\$9.20	\$0.20	\$0.00	\$0.00	\$0.00	\$0.00	\$0.00	\$48.18	\$63.69
25-30 months	100.00	\$32.66	\$7.75	\$9.20	\$0.20	\$0.00	\$0.00	\$0.00	\$0.00	\$0.00	\$49.81	\$66.14

**Special Calculation Note :** No special calculations for this skilled craft wage rate are required at this time.

**Ratio :**

3 Journeymen to 1 Apprentice

**Jurisdiction ( \* denotes special jurisdictional note ) :**

ADAMS, ALLEN, ASHLAND, ASHTABULA, ATHENS, AUGLAIZE, BELMONT, BROWN, BUTLER, CARROLL, CHAMPAIGN, CLARK, CLERMONT, CLINTON, COLUMBIANA, COSHOCTON, CRAWFORD, DARKE, DEFIANCE, DELAWARE, ERIE, FAIRFIELD, FAYETTE, FRANKLIN, FULTON, GALLIA, GREENE,

GUERNSEY, HAMILTON, HANCOCK, HARDIN,  
HARRISON, HENRY, HIGHLAND, HOCKING,  
HOLMES, HURON, JACKSON, JEFFERSON,  
KNOX, LAWRENCE, LICKING, LOGAN, LORAIN,  
LUCAS, MADISON, MAHONING, MARION,  
MEDINA, MEIGS, MERCER, MIAMI, MONROE,  
MONTGOMERY, MORGAN, MORROW,  
MUSKINGUM, NOBLE, OTTAWA, PAULDING,  
PERRY, PICKAWAY, PIKE, PORTAGE, PREBLE,  
PUTNAM, RICHLAND, ROSS, SANDUSKY,  
SCIOTO, SENECA, SHELBY, STARK, SUMMIT,  
TRUMBULL, TUSCARAWAS, UNION, VAN WERT,  
VINTON, WARREN, WASHINGTON, WAYNE,  
WILLIAMS, WOOD, WYANDOT

**Special Jurisdictional Note :**

**Details :**

***SECTION M***

***SPECIAL PROVISIONS/TECHNICAL  
SPECIFICATIONS  
AND  
ODOT'S LPA TEMPLATE  
REQUIRED CONTRACT PROVISIONS***

**ROACHESTER-COZADDALE ROAD BRIDGE #52-4.02 REHABILITATION PROJECT  
SPECIAL PROVISIONS/TECHNICAL SPECIFICATIONS**

The 2019 Ohio Department of Transportation Construction and Material Specifications and the Supplemental Specifications shall govern this project unless stated otherwise by the Warren County Engineer, herein referred to as “Engineer”, “Project Engineer” and “County Engineer”.

It is required that the bidder be an ODOT pre-qualified Contractor to complete the construction work required in these Bid Documents. The Contractor, Sub-Contractor, and Fabricators must meet or exceed the ODOT Minimum Skills Requirements for all Work Types involved in this project.

**Conflicting Items in Bid Documents**

**Whenever the Technical Specifications and Bid Proposal Quantities differ from the Construction Plans, the Technical Specifications and Bid Proposal Quantities shall control for the bidding of this project.**

**Encouraging Diversity, Growth and Equity (EDGE) Requirements**

Pursuant to Ohio Revised Code 123.152, five percent (5%) of the awarded Contractor's bid must be subcontract to certified EDGE firms. EDGE certified firms are those who have been certified by the Ohio ODOT of Administrative Services. The Contractor must use its best efforts to solicit quotes from and to utilize EDGE subcontractors/suppliers on this project. Reference ODOT’s 2023 LPA Template (Ohio) at the end of the special provisions/technical specifications for more details.

**Construction Engineering and Project Inspection**

The Warren County Engineer will provide all construction engineering and project inspection for the construction of this project.

**Operations Schedule**

The Contractor shall advise and coordinate all work with the Engineer. A detailed schedule of operations shall be furnished by the Contractor to the Engineer and shall list the order of operations and the time frame for the completion of each item of work. The Engineer and the Owner prior to the beginning of the work shall approve the schedule of operations. Changes to said schedule are to be issued in writing and approved by the Engineer before operations are changed or rescheduled. The Contractor shall schedule operations so that the improved areas have had sufficient time to cure, set and/or harden before the area is opened to traffic or use. The Contractor shall be responsible for the immediate repair of the improved area if any damage is done by traffic. The Contractor shall also be responsible for the immediate rectification of problems created in areas outside of the improved areas attributable to the failure of the improved area, i.e., the tracking of materials into unimproved areas.

**ROACHESTER-COZADDALE ROAD BRIDGE #52-4.02 REHABILITATION PROJECT  
SPECIAL PROVISIONS/TECHNICAL SPECIFICATIONS**

**Preconstruction Meeting**

Prior to the commencement of the construction activities, the Warren County Engineer will arrange a meeting between the Contractor and the Warren County Engineer. The time, date, and location of said meeting will be determined after the awarding of the contract. All parties will be notified by the Warren County Engineer. At the preconstruction meeting the Contractor shall submit to the Project Manager a construction schedule, list of subcontractors, and list of suppliers.

**Project Start Date**

The Contractor shall begin the construction once a written notice-to-proceed has been given by the Board of Warren County Commissioners and a preconstruction meeting with the Warren County Engineer has been held. It is anticipated that construction will begin in the spring or summer of 2024.

**Completion Time**

All work shall be completed within 12 weeks after the written notice-to-proceed has been issued by the Board of Warren County Commissioners, a preconstruction meeting has been held, and construction has started. Liquidated damages for non-completion beyond the 12 weeks shall follow the CMS 108.07. Once work has started it shall be expected that work will be performed every work day on the project in an expeditious manner until the project is complete unless of incimate weather.

**Working Restrictions**

No work shall be done between 6:00 p.m Friday and 7:00 a.m. Monday or during holidays, unless approved by the County Engineer. In addition, night work of any type shall be strictly prohibited, unless approved by the County Engineer.

**Payment of Work**

Contractor Estimates shall not be submitted more than once a month to the County Engineer for work included in the Contract between the County Commissioners and the Contractor. This project is a Federal to State Funding Exchange project which is similar to an ODOT LPA project based on paperwork, however ODOT will not be involved in the construction process. ODOT will make direct payments to the Contractor for 95% of construction costs and Warren County will make payments to the Contractor for 5% of the construction costs.

**Prompt Payment and Payment Reporting**

The contractor shall ensure prompt payment to subcontractors and material suppliers per Ohio Revised Code 4113.61. Furthermore, the Contractor must record each individual progress payment as well as each final payment to all subcontractors, service providers, and materials and

**ROACHESTER-COZADDALE ROAD BRIDGE #52-4.02 REHABILITATION PROJECT  
SPECIAL PROVISIONS/TECHNICAL SPECIFICATIONS**

supplies vendors in such payment reporting system that ODOT shall indicate and in compliance with such timeframe that ODOT shall indicate.

**Retainage and Affidavits**

The contractor shall provide the County Engineer with affidavits stating that all subcontractors and suppliers for this project have been paid in full in accordance with CMS 109.08. A percentage of the original contract bid amount shall be retained on this project. Until 50% of the original contract has been performed, 8% of the amount of work performed will be retained. Once 50% of the contract has been performed and thereafter, a total of 4% of the original contract bid amount will be retained. The entire retainage will be released to the Contractor after the final inspection has been performed, after the County Engineer has accepted the construction, and after all affidavits have been submitted to the County Engineer by the Contractor.

**Change Orders**

No change orders involving performance or nonperformance contract quantities of project materials shall be processed without direct approval by the Warren County Engineer.

**Storage of Construction Materials**

The Contractor shall obtain prior approval of the Owner and/or Engineer for the locations to be used for the temporary storage of construction materials, tools, and/or machinery. All such materials, tools, and machinery shall be neatly and compactly piled in such a manner as to cause the least inconvenience to the property owners and to traffic. Under no circumstances shall existing drainage courses be blocked or water hydrants, valves, or meter pits covered.

**Protection of Areas Outside of Work Limits**

The Contractor shall be responsible for the protection of areas outside of the designated work limits, but which may be adjacent to those work limits. This will include those areas used by construction traffic for access to and from the work areas. Where the Engineer determines that the Contractor's operations have been responsible for damage to areas outside of the work limits, the Contractor shall be responsible for the repair of the area subject to the approval of the Engineer. No additional compensation will be due to the Contractor for any repair of these areas.

**Instream Work**

The Contractor shall not perform any excavation or place any fill material below the Ordinary High Water Elevation of First Creek at the location of the bridge.

**Debris Removal**

The Contractor shall be responsible for removal from the site of all construction debris material. All debris material shall be disposed of in a proper manner and shall be as directed by any

**ROACHESTER-COZADDALE ROAD BRIDGE #52-4.02 REHABILITATION PROJECT  
SPECIAL PROVISIONS/TECHNICAL SPECIFICATIONS**

applicable local, state or federal regulations. Contractor shall take precautions to avoid any demolition debris from entering the stream. Any material that does fall into the stream shall be removed as soon as possible.

**Asbestos Notification**

An asbestos survey of the existing Bridge #52-4.02 over First Creek, SFN 8334773, was completed by a certified asbestos hazard evaluation specialist (CAHES) on 8/29/19. A copy of the Ohio Environmental Protection Agency Notification of Demolition and Renovation form partially completed by Warren County and a copy of the asbestos survey will be provided to the Contractor at the preconstruction meeting. Although, asbestos abatement is not required, the Contractor shall finalize the form and submit it along with the necessary fee to the Ohio EPA, DAPC Asbestos Program, at least 10 days prior to demolition activities. A completed form and payment can be mailed to the Ohio EPA or it can be completed and paid online at the following website <http://epa.ohio.gov/dapc/atu/asbestos>. Payment for the work listed above as well as the Ohio EPA form fee shall be included in the Lump Sum bid price for Item 202 Portions of Structure Removed, As Per Plan.

**Debris Containment**

The Contractor shall prevent all material, bridge sealers, and other construction debris from falling into the stream during the entire project. Any material which falls into the stream shall be removed immediately.

**Utility Notification**

The Contractor shall notify at least 48 hours before breaking ground all public and/or private service corporation having wires, poles, conduits, manholes, or other structures that may be affected by the construction on this project, including all structures which are affected and not shown on the plans. Owners of underground utilities, which are members of OUPS, can be notified by calling 1-800-362-2764. Non-member underground utility owners must be called directly.

**Utility Adjustments and Verification**

The Contractor shall adjust to proposed grade all existing utility facilities, i.e. manholes, catch basins, valves, boxes, etc., prior to the commencement of paving operation. This shall include utility facilities, not shown on the plan, which may be found to be located within the pavement area. Work performed on the utility facilities shall be in strict accordance with the specifications of the applicable utility owner and shall be performed under the direction, supervision and inspection of said owner.

**ROACHESTER-COZADDALE ROAD BRIDGE #52-4.02 REHABILITATION PROJECT  
SPECIAL PROVISIONS/TECHNICAL SPECIFICATIONS**

**Existing Pipe**

The location, size, type and depth of all existing pipe are shown as according to the best information. The Engineer will not be responsible for any variations found during construction. Where the plans provide for conduit to be connected to, or to cross either over or under, or close to an existing underground structure, it shall be the responsibility of the Contractor to locate the existing structure, both as to line and grade, before he starts to lay the proposed conduit, in order to assure compatibility of line and grade of the proposed conduit. Payment for all operations described above shall be included in the unit price bid for the pertinent conduit item.

**Conduit, Drainage and Utility Items**

Unless otherwise specified on the plans, the unit price bid for the pertinent conduit, drainage and/or utility item shall include the cost of all-necessary appurtenances, connections, fittings, plugs, tees, collars, etc.

Unless otherwise noted on the plans, the unit price for the pertinent conduit, drainage and/or utility item is to include the costs involved in the excavation of the trench in unclassified material, the supplying and placing of the required bedding material and the backfilling of the trench with the specified material to the appropriate subgrade elevations.

The contractor shall take precaution while excavating for pipe near existing utilities. If necessary, the contractor shall hand dig in areas where proposed pipe is to be installed near an existing utility. The Contractor shall hold Warren County harmless of liabilities which may arise from the damaging of existing utilities. The payment for hand digging in areas near existing utilities shall be paid for under the unit bid price for the pertinent item.

**Bedding and Backfill**

All bedding and backfill shall be in strict accordance with the specification of ODOT Item 611 for the type of conduit specified. In the case of **Water Transmission and Distribution Lines, Storm Sewer, and Sanitary Sewer facilities**, granular material, Type 1 and Type 3, shall be used to backfill the trench from the bottom of the trench to a maximum distance of twelve (12) inches above the top of the facility within one (1) foot of the subgrade. The granular material **MUST** be properly compacted and tested to ensure minimal settlement of the trench. Payment for the work listed above shall be included in the price of Item 611.

**Maintenance of Sewer Flows**

The Contractor shall conduct his operations so as to maintain at all times storm water and sewer flows through existing facilities to remain in place and through existing facilities to be replaced until new facilities are completed and placed in use.



**ROACHESTER-COZADDALE ROAD BRIDGE #52-4.02 REHABILITATION PROJECT  
SPECIAL PROVISIONS/TECHNICAL SPECIFICATIONS**

**Testing of Construction Materials**

The Engineer may select a testing firm for this project. The Engineer will notify the Contractor of the selected firm. The Engineer shall be responsible for the costs incurred in the testing of the construction materials both on site and at the plant. However, the Contractor shall note that he will be responsible for any and all costs incurred by the scheduling and/or rescheduling of the testing firm's activities by the Contractor and the subsequent delay and/or cancellation of said activities due to the delay and/or cancellation of the scheduled construction by the Contractor.

**Item 201 - Clearing and Grubbing**

A Lump Sum quantity is included in the bid proposal for Item 201 Clearing and Grubbing. Any necessary clearing and grubbing within the limits of construction, except such objects as are to remain or are to be removed in accordance with other sections of these specifications shall be the responsibility of the Contractor. The Contractor shall keep clearing to a minimum removing only what is necessary to complete construction. It is anticipated that the Contractor will need to perform some tree trimming around the bridge for the crane work and remove the two trees as shown in the plans. Payment for the work listed above shall be included in the Lump Sum bid price for Item 201 Clearing and Grubbing.

**Item 202 – Removals**

This work shall consist of the removal, wholly or in part, and satisfactory disposal of all buildings, fences, guardrails, structures, old pavements, abandoned pipe lines, storage tanks, septic tanks, privy vaults, and any other obstructions which are not designated or permitted to remain, except for the obstructions to be removed and disposed of under other items in the contract. It shall also include the salvaging of designated materials and backfilling the resulting trenches, holes, and pits.

**Item 202 – Portions of Structure Removed, As Per Plan**

The Contractor shall be responsible for all the equipment, materials, and labor necessary in the removal of the bridge rail, concrete box beams, and portions of the reinforced concrete abutments as detailed in the plans. The Contractor shall take into consideration the deterioration and condition of the existing concrete box beams when planning means and methods of removing asphalt wearing surface. The bridge is currently posted for reduced weights based on number of axels per vehicle. The Contractor shall perform the work carefully during the removal to protect portions of the bridge that are to be salvaged and incorporated into the proposed structure. The Contractor shall replace or repair all items that are damaged by the removal operations at no cost to Warren County. Payment for the work listed above shall be included in the Lump Sum bid price for Item 202 Portions of Structure Removed, As Per Plan.

**ROACHESTER-COZADDALE ROAD BRIDGE #52-4.02 REHABILITATION PROJECT  
SPECIAL PROVISIONS/TECHNICAL SPECIFICATIONS**

**Existing Bridge Plans**

The Warren County Engineer can provide the existing bridge plans to the Contractor at their request.

**Item 304 – Aggregate Base (Granular Backfill)**

Where areas beyond the bridge are in need of roadway fill due to excavation for substructure, Item 304 Aggregate Base shall be used as directed by the Engineer. Item 304 Aggregate Base shall be placed and compacted in the excavated areas in compliance with section 304.05 of the ODOT Construction and Material Specifications. Payment for this work shall be included in the bid price per CY for Item 304 Aggregate Base (Granular Backfill).

**Item 407 – Tack Coat**

Item 407 Tack Coat shall be applied at a rate of 0.10 gallon per square yard as directed by the Engineer. The application of the tack coat shall be applied to the entire width of the roadway immediately prior to the paving operation. Tack Coat shall be placed prior to the surface course of asphalt. Payment for the work listed above shall be included in the bid price per Gallon for Item 407 Tack Coat.

**Asphalt Concrete**

All material furnished and work performed shall conform to the 2019 Ohio Department of Transportation Construction and Material Specifications (ODOT CMS) for Item 301 Asphalt Concrete Base and Item 441 Asphalt Concrete Surface Course.

The Contractor shall supply the County Engineer with a weigh ticket for each load of material placed. Periodic asphalt samples will be obtained for test purposes and an independent testing laboratory will perform tests.

**No material shall be placed upon collected water. Asphalt surfaces shall be clear of dirt and debris prior to the placing of each subsequent lift. The Contractor shall adhere to the judgment of the Warren County Engineer’s designated representatives.**

The Contractor's attention is directed to Section 401.14 of the ODOT Specifications and he is hereby instructed that requirements for preparation of asphalt pavement to be resurfaced will be adhered to, and cost of any and all cleaning is to be included in the unit price bid for Item 301 and Item 441.

**Butt Joints** - A butt joint shall be constructed by grinding/planing existing pavement at each start/stop location. All grinding/ planing shall be in accordance with Item 254 Pavement Planing. The butt joints shall be constructed by grinding/planing the existing pavement for a length of 6 feet, varying in depth from 2” to 0”. The newly formed joint shall be properly installed so as to provide a smooth transition and shall also be properly sealed. The cost of constructing each butt

**ROACHESTER-COZADDALE ROAD BRIDGE #52-4.02 REHABILITATION PROJECT  
SPECIAL PROVISIONS/TECHNICAL SPECIFICATIONS**

joint by pavement planing/grinding shall be included and paid for in Item 441 Asphalt Concrete Surface Course.

**Item 503 – Unclassified Excavation**

The Contractor shall be responsible for all the labor and equipment necessary in excavating the roadway material behind the existing concrete abutments for removal of portions of the existing bridge and for construction of the new bridge structure. Payment for the work listed above shall be included in the Lump Sum bid price for Item 503 Unclassified Excavation.

**Item 511 – Class QC 1 Concrete, Abutment**

The Contractor shall be responsible for all the labor and material necessary in constructing the abutments as detailed in the plans. Concrete shall meet all requirements of Item 511 Concrete for Structures. Concrete shall be Class "QC 1" (28 day compressive strength = 4,000 psi). The Contractor shall follow section 499.03 for concrete slump. Payment for the work listed above shall be included in the bid price per CY for Item 511 Class QC 1 Concrete, Abutment.

**Item 511 – Class QC 2 Concrete, Superstructure**

The Contractor shall be responsible for all the labor and material necessary in constructing the concrete superstructure as detailed in the plans. Concrete shall meet all requirements of Item 511 Concrete for Structures. Concrete shall be Class "QC 2" (28 day compressive strength = 4,500 psi). A corrosion inhibitor admixture per ODOT Specification 515.15 shall be added to the concrete mix at the dosage recommended by the manufacturer. Contractor shall follow section 499.03 for concrete slump, section 511.14 for time duration of removing false work and opening to traffic, and section 511.17 for sawing grooves into the concrete deck. Payment for the work listed above including the expanded polystyrene filler shall be included in the bid price per CY for Item 511 Class QC 2 Concrete, Superstructure.

**Item 512 - Sealing of Concrete Surfaces (Epoxy Urethane)**

The Contractor shall seal portions of the concrete box beams and concrete bridge deck as detailed in the plans as well as all exposed portions of the concrete abutments with an epoxy urethane sealant after the concrete has cured. The sealing of concrete surfaces shall be in accordance with section 512.03. The Contractor shall take precautions to keep spillage and overspray from entering the stream. The color of the sealant shall be FED# 36492 (gray) or approved equal. Payment for the work listed above shall be included in the bid price per SY for Item 512 Sealing of Concrete Surfaces (Epoxy Urethane).

**Item 512 – Treating of Concrete Bridge Deck with SRS**

The Contractor shall treat the portion of the concrete bridge deck as detailed in the plans with a soluble reactive silicate sealer after the concrete has cured. The sealing of concrete surfaces shall be in accordance with section 512.05. The Contractor shall take precautions to keep spillage and

**ROACHESTER-COZADDALE ROAD BRIDGE #52-4.02 REHABILITATION PROJECT  
SPECIAL PROVISIONS/TECHNICAL SPECIFICATIONS**

overspray from entering the stream. The Contractor shall flush the concrete bridge deck with water after the application has had time to dry (see manufacture's recommendation) prior to opening to traffic. Payment for the work listed above shall be included in the price bid per SY for Item 512 Treating of Concrete Bridge Deck with SRS.

**Item 515 – Prestressed Concrete Composite Box Beam Bridge Members, Level 1, CB27-48**

The Contractor shall be responsible for all the equipment, materials, and labor necessary in setting the five (5) – CB 27” x 48”, Prestressed Concrete Box Beam Members. The beams shall conform to the details in the plan set as well as meet the current specifications set forth in the “State of Ohio Department of Transportation Construction and Material Specifications” for Item 515 and Standard Drawings PSBD-2-07 (sheets 1-4) dated 7-20-18. Shop drawings shall be submitted to Roy Henson, Warren County Engineer's Office, 210 W. Main Street, Lebanon, Ohio 45036 (Roy.Henson@co.warren.oh.us) for review and approval. Payment for the work listed above shall be included in the bid price per Each for Item 515 Prestressed Concrete Composite Box Beam Bridge Members, Level 1, CB27-48.

**Item 611 - Pipe Culverts, Sewers, Drains, and Drainage Structures**

**All work associated with drainage items shall consist of the work as described in Item 611 Pipe Culverts, Sewers, Drains, and Drainage Structures, except as herein modified. The following items will not be required: Installation Plan, Construction Inspection Forms, Performance Inspections and Reports, and Conduit and Drainage Structure Evaluations.**

This work shall consist of the construction or reconstruction of pipe culverts, sewers and drains hereinafter referred to as Type A, Type B, Type C, Type D, Type E and Type F Conduit. The work shall be in accordance with these specifications and in reasonably close conformity with the lines and grades shown on the plans or established by the Engineer. This work shall include the following: excavating for pipe and foundations for same, including clearing and grubbing and the removal of all materials necessary for placing the pipe except removals listed separately; furnishing and placing granular or concrete bedding and granular backfill as required; constructing and subsequently removing all necessary cofferdams, cribs and sheeting; pumping and dewatering; sealing or banding all pipe joints where required; furnishing and installing all necessary pipe bends and branches of a type at least equal to the conduit of which they become a part; joining to existing and proposed appurtenances as required; performing leakage tests as specified; restoration of disturbed facilities and surfaces; and providing erosion control pads and animal guards on underdrain and farm drain outlets.

The Contractor is responsible for supplying, delivering and installing the Precast Concrete Sections and the related material. All related material shall be included with the bid and shall be provided by the Contractor. The Contractor shall furnish, unload, assemble, and install the Precast Concrete Sections and all related material at the location shown on the plans. All castings for manholes, catch basins and inlets shall conform to those specified in the standard construction drawings or as specified by the Engineer. All castings which might be subject to

**ROACHESTER-COZADDALE ROAD BRIDGE #52-4.02 REHABILITATION PROJECT  
SPECIAL PROVISIONS/TECHNICAL SPECIFICATIONS**

vehicle traffic shall be of the heavy-duty grade. Grated inlet tops shall be placed as specified on the plans. Top of casting elevations are subject to final adjustments as approved by the Engineer. All castings used shall be subject to the final approval of the Engineer.

**Item Special – Steel Drip Strip**

The Contractor shall install steel drip strips on both sides of the bridge for the entire length per ODOT Standard Drawing DS-1-92. This work shall include the separate guardrail pieces. Payment for the work listed above shall be included in the bid price per FT for Item Special Steel Drip Strip.

**Item 614 - Maintaining Traffic**

Traffic control shall be the sole responsibility of the Contractor. The County of Warren shall be held harmless from liabilities caused by improper traffic control by the Contractor. The contractor shall indemnify Warren County from any and all liabilities due to improper maintenance of traffic. All road construction signs shall also be the responsibility of the Contractor. All traffic control shall conform to the Ohio Manual of Uniform Traffic Control Devices (OMUTCD) as well as the Ohio Department of Transportation Standards at all times.

Any devices that are determined by the Engineer to be substandard shall be repaired to the satisfaction of the Engineer or shall be immediately removed from the site and replaced with acceptable devices. Any temporary traffic control devices that are determined by the Engineer to become substandard during the course of the project shall be removed from the jobsite and immediately replaced by devices meeting the approval of the Engineer.

The Contractor shall provide and maintain all signs, barricades, labor, flagmen, steel plates, etc. for all work on this project. The Contractor shall notify the Warren County Engineer two (2) weeks prior to any road closure. The Contractor shall provide a minimum of two (2) Type III Barricades on each end of the closed section of Roachester-Cozaddale Road. The barricades shall be chain linked together and fixed to the ground or some other object overnight. The Contractor shall maintain access to all driveways in the work area for the duration of the project. The Contractor shall provide alternatives to garbage collection services and emergency rescue services for all residents within the closed portions of roadway during the road closures. Any conflicting markings shall be removed or covered in accordance with Item 614.

Two notice of road closure signs shall be erected by the Contractor two weeks in advance of the road closure. The signs shall be erected on the right hand side of the road facing traffic and shall be located in the field so as not to interfere with any permanent signs. The notice of closure signs shall be W20-H13-60 signs and shall state the following.....ROACHESTER-COZADDALE ROAD WILL BE CLOSED FOR 12 WEEKS STARTING (EXACT CLOSURE DATE).

Methods of maintaining traffic shall conform to the Manual of Uniform Traffic Control Devices and Item 614 of the ODOT Specifications. Payment for the work listed above shall be included in the Lump Sum price bid for Item 614 Maintaining Traffic.

**ROACHESTER-COZADDALE ROAD BRIDGE #52-4.02 REHABILITATION PROJECT  
SPECIAL PROVISIONS/TECHNICAL SPECIFICATIONS**

**Item 623 - Construction Layout Stakes and Surveying**

All centerline of survey and property corner monumentation that is disturbed during construction shall be reset by a Professional Surveyor. Payment for the construction layout and work listed above shall be included in the Lump Sum bid price for Item 623 Construction Layout Stakes.

**Item 832 – Erosion Control**

The Contractor shall furnish and install temporary sediment and erosion control best management practices required prior to any earth disturbing activity in accordance with Supplemental Specification 832. All pollution prevention measures must be maintained for the duration of construction. The Contractor shall remove all best management practices before the project is accepted. Payment for this work shall be included in the bid price per Each for Item 832 Erosion Control. This price is standard for all bidders, set at \$1.00 Each for a total of \$2,500.00.

**ODOT's LPA Template (ODOT Spec Book and LPA Spec Book)  
Required Contract Provisions for STATE-Only Funded Projects**

**1. ODOT'S 2019 CONSTRUCTION AND MATERIAL SPECIFICATIONS (C&MS) AND ITS SUPPLEMENTS**

ODOT's Construction and Material Specifications (C&MS) and its supplements are hereby incorporated by reference, in their entirety, as if rewritten herein. **The incorporation of this document by reference does not interfere with the order of precedence set forth in Section 105.04 of the C&MS Manual.**

In accordance with the Locally Administrated Transportation Projects Manual of Procedures (LATPM), when bidding this project, the contractor should replace the terms "the department", "the engineer" and "the DCA" with the term "the Local Public Agency (LPA)." Furthermore, nothing in this document is intended to alter the LPA's adherence to Ohio Revised Code, local ordinance or other applicable requirements which are properly established.

**2. PREQUALIFICATION**

Only prequalified contractors are eligible to submit bids for this PROJECT. Prequalification status must be in force **at the time of bid, at the time of award, and through the life of the construction contract.** For work types that ODOT does not prequalify, the LPA must still select a qualified contractor. Subcontractors are not subject to the prequalification requirement. The "prime" contractor must perform no less than 30 percent of the total original contract price.

**3. STEEL PRODUCTS MADE IN THE UNITED STATES**

Domestic steel use requirements as specified in section 153.011 of the Ohio Revised Code apply to this project. Copies of section 153.011 of the Ohio Revised Code can be obtained from any of the offices of the Department of Administrative Services.

**4. AS PER PLAN DESIGNATION (Not required but strongly suggested)**

The "As Per Plan" designation is sometimes added to item descriptions in the proposal to assist contractors with easily identifying standard items that have been altered by plan notes.

The "As Per Plan" designation has proven to be a very useful tool for contractors. However, its use was never intended to relieve contractors of their responsibility to read, bid, and construct all items in accordance with all governing plan notes. Therefore, the absence of an "As Per Plan" designation on some item descriptions in the proposal for which there are clear and controlling plan notes does not relieve contractors of the responsibility to read, bid, and construct those particular items in accordance with the governing plan notes.

Be advised that the item descriptions in the bidding proposal must be read or interpreted with the governing plan notes and the Construction and Material Specification Manual. A claim based upon an "order of precedence" basis will be denied. In the event that a conflict, either real or perceived, exists between the item description and the governing plan note, contractors are to request clarification through the pre-bid process.

**5. PREVAILING WAGES ON STATE PROJECTS WITH NO FEDERAL-AID FUNDING**

The following is in addition to C&MS Section 108.10.

This contract is subject to Ohio Prevailing Wage Laws, Chapter 4115 of the Ohio Revised Code. The contractor and all subcontractors shall comply with the provisions contained therein or as otherwise provided by this note. The contractor guarantees the prevailing wage scale to be paid to all laborers and mechanics employed on this contract is in accordance with the schedule of the prevailing hourly wage and fringe benefits as determined by the Ohio Department of Commerce for the county in which the work is being performed. Failure to pay prevailing wages to all laborers and mechanics employed on this project shall be considered a breach of contract. Such a failure may result in the revocation of the contractor's and/or subcontractor's certificate of qualification and debarment. A schedule of the most current prevailing wage rates may be accessed by registering with the Ohio Department of Commerce, Industrial Compliance Division, Bureau of Wage & Hour Administration at the following web address:

<https://wagehour.com.ohio.gov/w3/webwh.nsf/wrAccessLog>

***The contractor and all subcontractors shall compensate the employees on this contract at a pay rate not less than the hourly wage and fringe rate listed on the website noted above, for the applicable job classification or as may be modified by the Ohio Department of Commerce, Industrial Compliance Division, Bureau of Wage and Hour Administration, when new prevailing rates are established.***

Overtime shall be paid at one and one-half times the base hourly rate for any hours worked beyond forty hours during a pay week. The contractor and all subcontractors shall pay all compensation by company funds transfer or legal tender to the worker and fringe benefit program.

The wage and fringe rates determined for this project, or as may be modified later, shall be posted by the contractor in a prominent and accessible place on the project, field office, or equipment yard where they can be easily read by the workers or be otherwise made available to the workers. On the first pay date of the contract work, the contractor and all subcontractors shall furnish each employee covered by prevailing wage a completed form whpw1512 in accordance with section 4115.05 of the Ohio Revised Code showing the classification, hourly pay rate, fringes, and identifying the LPA Prevailing Wage Coordinator (PWC), if such employees are not covered by a collective bargaining agreement or understanding between employers and bona fide organizations of labor. These forms shall be signed by the contractor or subcontractor and the employee and kept in the contractor's or subcontractor's payroll files.

The contractor and all subcontractors shall submit to the PWC or other designated LPA representative certified payrolls on form whpw1509 or equivalent, in accordance with sections 4115.07 and 4115.071 (C) of the Ohio Revised Code, three weeks after the start of work and every subsequent week until the completion of the contract. Additionally, a copy of the "Apprentice Certification" obtained from the Ohio State Apprenticeship Council, must accompany all certified payrolls submitted for all apprentices working on this project. Upon completion of the contract and before the final payment, the contractor shall submit to the PWC a final wage affidavit in accordance with section 4115.07 of the Ohio Revised Code stating wages have been paid in conformance with the minimum rates set forth in the contract. Please be aware that it is ultimately the responsibility of the contractor to ensure all laws relating to prevailing wages in Chapter 4115 of the Ohio Revised Code are strictly adhered to by all subcontractors.

The contractor and all subcontractors shall make all payroll records available for inspection, copying, or transcription by any authorized representative of the contracting agency. Additionally, the contractor and all subcontractors shall permit such representatives to interview any employees during working hours while the employees are on the job.

If the contractor or any subcontractor fails to comply with any of the provisions contained in this proposal note, the LPA may terminate the contract and/or withhold or suspend pay estimates after written notice and a reasonable opportunity to comply has been provided.

## **6. STATE EEO CERTIFICATION CLAUSE**



The hiring of employees for the performance of work under this contract shall be done in accordance with Ohio Revised Code sections 153.59 and 153.591, the Governor's Executive Order of January 27, 1972, including Appendices "A" and "B", and the Governor's amended Executive Order 84-9 of November 30, 1984. The successful contractor shall not discriminate against or intimidate any person hired for the performance of the work by reason of race, color, religion, national origin, ancestry, sex, or handicap. For any violation, the contractor shall suffer such penalties as provided for in Ohio Revised Code section 153.60 and the Governor Executive Order of January 27, 1972. The bidder also agrees that upon award of this contract they shall incorporate this certification in all subcontracts on this project regardless of tier.

#### **7. UNRESOLVED FINDING FOR RECOVERY**

The contractor affirmatively represents to the LPA that it is not subject to a finding for recovery under Ohio Revised Code section 9.24 or that it has taken the appropriate remedial steps required under section 9.24 or otherwise qualifies under that section. The contractor agrees that if this representation is deemed to be false, the contract shall be void ab initio as between the parties to this contract, and any funds paid by the state hereunder shall be immediately repaid to the LPA or an action for recovery may be immediately commenced by the LPA and/or for recovery of said funds.

#### **8. ASSIGNMENT OF ANTITRUST CLAIMS IN STATE CONTRACT LANGUAGE**

The contractor should recognize that in actual economic practice, overcharges resulting from antitrust violations are usually borne by ODOT and/or the LPA. As consideration for the Award of the Contract and intent to be legally bound, the contractor acting herein by and through the person signing this contract on behalf of the contractor as a duly authorized agent, hereby assigns, sells, conveys, and transfers to ODOT and/or the LPA any and all right, title and interest to any and all claims and causes of action the contractor now has or hereafter requires under state or federal antitrust laws provided that the claims or causes of action related to the goods or services that are the subject to the contract. In addition, the contractor warrants and represents that it will require all of its subcontractors and first tier suppliers to assign all federal and state antitrust claims and causes of action to ODOT and/or the LPA. The provisions of this article shall become effective at the time the LPA executes this contract without further acknowledgment by any of the parties.

All contracting entities shall assign their rights and responsibilities to ODOT and/or the LPA for all antitrust claims and causes of action regarding subcontractors.

#### **9. US ARMY CORPS OF ENGINEERS AND OHIO ENVIRONMENTAL PROTECTION AGENCY PERMITS**

The above referenced permits are incorporated and made part of this contract as special provisions incorporated herein. Therefore, in the event the contractor or its agents refuse or fail to adhere to the requirements of the 404 Permit and/or the NPDES Stormwater Permit resulting in an assessment or fine made or levied against ODOT and/or the LPA, the contractor shall reimburse ODOT and/or the LPA within thirty (30) calendar days of the notice of assessment or fine, or the LPA and/or ODOT may withhold the amount of the fine from the contractor's next pay estimate. All money collected or withheld from the contractor shall be delivered to the permitting agencies issuing the assessment or fine.

These fines are not to be construed as a penalty but are liquidated damages to recover costs assessed against the LPA and/or ODOT due to the contractor's refusal or failure to comply with the permits.

#### **10. OHIO WORKERS' COMPENSATION COVERAGE**

The contractor must secure and maintain valid Ohio workers' compensation coverage until the project has been finally accepted by ODOT. A certificate of coverage evidencing valid workers' compensation coverage must be submitted to the LPA before the contract will be executed by the LPA.

The contractor must immediately notify the LPA in writing if it or any subcontractor fails or refuses to renew their workers' compensation coverage. Furthermore, the contractor must notify the LPA in writing if its or any of its subcontractor's workers' compensation policies are canceled, terminated, or lapse.

The failure to maintain valid workers' compensation coverage shall be considered a breach of contract, which may result in the contractor or subcontractor being removed from the project, withholding of pay estimates, and/or termination of the contract.

**11. PN 034 - 05/25/2011 – DRUG FREE SAFETY PROGRAM**

During the life of this project, the contractor and all its subcontractors who provide labor on the project site must be enrolled in and remain in good standing in the Ohio Bureau of Worker's Compensation (OBWC) Drug-Free Safety Program (DFSP) or a comparable program approved by the OBWC.

In addition to being enrolled in and in good standing in an OBWC-approved DFSP or a comparable Drug Free Workplace Program (DFWP) approved by the OBWC, the department requires each contractor and subcontractor that provides labor to subject its employees who perform labor on the project site to random drug testing of five (5) percent of its employees. The random drug testing percentage must also include the on-site supervisors of the contractors and subcontractors. Upon request, the contractor and subcontractor shall provide evidence of required testing to the department.

Each subcontractor shall require all lower-tier subcontractors who provide labor on the project site with whom the subcontractor is in contract for the work to be enrolled in and be in good standing in the OBWC DFSP or an OBWC-approved DFWP prior to a lower-tier subcontractor providing labor at the site.

The department will declare a bid non-responsive and ineligible for award if the contractor is not enrolled in and in good standing in the OBWC's DFSP Discount Program or a similar program approved by the OBWC within eight (8) days of the bid opening. Furthermore, the department will deny all requests to sublet when the subcontractor does not comply with the provisions of this proposal note.

Failure of the contractor to require a subcontractor to be enrolled in and be in good standing in the OBWC DFSP or an OBWC-approved DFWP prior to the time the subcontractor provides labor at the site shall result in the contractor being found in breach of the contract and that breach shall be used in the responsibility analysis of that contractor or the subcontractor who was not enrolled in a program for future contracts with the State for five (5) years after the date of the breach.

**12. WAIVER OF C&MS 614.03**

ODOT's 2019 Construction and Material Specifications section 614.03, third paragraph, does not apply to any project which is not physically located on the National Highway System (NHS) and/or does not impact NHS traffic in any way.

**13. ODOT AS OBLIGEE ON BOND**

The contractor shall furnish a performance and payment bond in an amount at least equal to 100 percent of the estimate as security for the faithful performance of its contract. In addition to the project owner, ODOT shall be named as an obligee.

**14. PN 032 – 01/31/2021 – C92s REQUIRED ON LOCAL-LET CONSTRUCTION PROJECTS**

State and federal law requires all contractors and subcontractors participating in state or federally funded projects to be evidenced in writing and in conformity with all applicable state and federal laws and regulations.

Effective immediately, all projects advertising after 2/1/2021 will require a Request to Sublet (C92) form be completed for each subcontractor working on the project prior to the start of work. This will include all EDGE and non-EDGE material suppliers utilized on the project.

A template for this form may be found and submitted via the GoFormz website located at <https://www.goformz.com/>.

#### 15. PN 031 – 4/6/2023 – LOCAL-LET CONSTRUCTION PROJECTS

ODOT, along with the LPA, shall monitor payments made by the prime contractor and subcontractors for compliance with this Proposal Note and C&MS 107.21. To facilitate this monitoring, the Department requires both prime and subcontractors to report their payments to all subcontractors/second-tier subcontractors with the submission of each invoice. The payment data reported must include any retainage withheld (when allowable under the department's [Retainage Policy dated 4/14/21](#)) and any previously withheld retainage released. All such reporting must take place through a web-based submission on GoFormz. Please note: submission through GoFormz is required for all Local-let projects. Invoices will not be approved and processed for payment unless this reporting form has been submitted and received by the department.

The prime/subcontractor must report the following information:

- The name of the payee;
- The dollar amount of the payment to the payee;
- The date the payee was paid;
- The amount of retainage withheld (if any).

The prime/subcontractor(s) must sign each reported payment and submit to ODOT via the GoFormz website.

The second-tier subcontractor is responsible for completing the affirmation of payment form in GoFormz.

The prime contractor is responsible for ensuring that all subcontractors and second-tier subcontractors are correctly completing all prompt payment forms via the GoFormz website.

If the prime or subcontractor(s) fail to submit the aforementioned documentation with each invoice, they will be determined to be non-compliant and invoices will not be processed for payment.

Payee must verify each payment reported by the payer within thirty (30) days of the payment being signed by the payer. This verification must include:

- Whether the payment was received, and if so, whether it was or was not as expected
- The dollar amount of the payment received
- The date the payment was received

The prime contractor shall fully complete the last prompt payment form upon receipt of final payment.

#### SANCTIONS AND ADMINISTRATIVE REMEDIES

Failure by the prime contractor and/or subcontractor(s) to follow Prompt Payment requirements may result in the issuance of sanctions as follows:

1st Tier: Notice of Violation followed by a Letter of Reprimand

2nd Tier: If corrective actions are not taken within the specified three (3) business days, a pay estimate in the amount due to the subcontractor(s) that was not reported or paid may be withheld.

3rd Tier: If a pattern of paying damages persists or the contractor has falsified, misrepresented, or withheld information, ODOT will pursue other remedies available by law including suspension, revocation, and/or debarment.

Factors to be considered in issuing sanctions may include, but are not limited to the following:

- the magnitude and type of offense
- the degree of the contractor's culpability
- any steps taken to rectify
- the contractor's record of performance on other projects
- the number of times the contractor has been previously sanctioned by ODOT

**16. PN 022 – 04/15/2013 - ENCOURAGING DIVERSITY, GROWTH, AND EQUITY (EDGE) REQUIREMENTS**

Pursuant to Ohio Revised Code 122.922, amended 9/30/2021, guiding EDGE program requirements, the percentage indicated on the front cover of this bid is the percent of the awarded contractor's bid. The percentage goal may be met if the contractor is EDGE certified or by subcontracting to certified EDGE firms. EDGE certified firms are those who have been certified by the Ohio Department of Development. If not EDGE certified, the contractor must use its best effort to solicit quotes from and to utilize EDGE subcontractors/suppliers on this project.

**WAIVER PROCESS FOR EDGE GOAL**

If not EDGE certified, the contractor must document the progress and efforts made to secure the services of EDGE certified subcontractors/suppliers. In the event the contractor is unable to meet the EDGE goal placed on this project, a request for a waiver of all or part of the goal may be made to the Division of Opportunity, Diversity and Inclusion (ODI). The written request must include all signed and dated purchase orders and subcontract agreements for any goal attainment achieved as well as indicate a good faith effort was made to meet the goal. The request must be sent to the Division of Opportunity, Diversity and Inclusion, Mail Stop #3270, 1980 West Broad Street, Columbus, Ohio, 43223. There will be no extension of time for the project granted if the contractor wishes to avail itself of this process. If an item of work subcontracted to an EDGE firm is non-performed by the department or is the subject of an approved VECP, the contractor may request a waiver for the portion of work excluded.

The department shall consider the following information and documentation when a request for an EDGE goal waiver is received:

- Dollar value and % of EDGE goal. Dollar value and % of waiver request.
- Signed copy of each subcontract or purchase order agreement between the contractor and EDGE subcontractor/supplier utilized in meeting the contract goal.
- Copy of dated written communication, fax confirmation, personal contact, follow-up and negotiation with the EDGE subcontractor/supplier.
- Copy of dated written communication and/or fax confirmation that bidder solicited and provided EDGE subcontractor/supplier with adequate information about the plans, specifications, and requirements of the contract in a timely manner to assist them in responding to a solicitation.

- Copy of dated written communication and/or fax confirmation of each noncompetitive EDGE quote that includes the dollar value of each reference item and work type.
- Copy of dated written communication and/or dated fax confirmation of EDGE subcontractor/supplier that were not interested in providing a quote for the project.
- All solicitations made by the contractor for subcontracting opportunities and EDGE quotes through SBN.
- Documentation of all negotiating efforts and reason for rejecting quotes from EDGE subcontractor/supplier.
- Documentation of good faith efforts (GFE) to meet the EDGE subcontract goal by looking beyond the items typically subcontracted or consideration of subcontracting items normally performed by the prime contractor as a way to meet the EDGE goal.

The Administrator will review the submitted documentation and issue a written decision within ten (10) business days. The contractor may request administrative reconsideration within fourteen (14) days of being informed that it did not perform a GFE. The contractor must make this request in writing to the following official:

Ohio Department of Transportation  
Attention: Administrator, Division of Opportunity, Diversity, & Inclusion  
Mail Stop #3270  
1980 West Broad Street  
Columbus, Ohio 43223

The reconsideration official will not have played any role in the original determination that the contractor did not document sufficient good faith efforts.

As part of this reconsideration, the contractor will have the opportunity to provide written documentation or an argument concerning the issue of whether it met the goal or made adequate good faith efforts to do so. ODOT will send the contractor a written decision on reconsideration explaining the basis for finding that the contractor did or did not meet the goal or make adequate good faith efforts. The result of the reconsideration process may be appealed to the Court of Claims.

#### **AFFIDAVIT OF SUBCONTRACTOR PAYMENTS MADE TO EDGE SUBCONTRACTORS/SUPPLIERS**

The Ohio Revised Code 122.922 requires ODOT to monitor and verify the work subcontracted to EDGE subcontractors/suppliers is actually performed by the EDGE subcontractor/supplier. The affidavit seeks to verify payments made to EDGE subcontractors/suppliers on the project. Each EDGE subcontractor/supplier must verify the actual payment amount.

The blank spaces in the affidavit must be filled in correctly where indicated. The affidavit must be signed by the contractor and subcontractor or by the subcontractor and EDGE subcontractor/supplier, if applicable. By signing the affidavit, the noted subcontractors/suppliers agree the payment amount recorded is true and accurate as of the payment time period.

Completed and signed affidavits shall be mailed to the Ohio Department of Transportation, Division of Opportunity, Diversity & Inclusion, Mail Stop #3270, 1980 West Broad Street, Columbus, Ohio 43223.

#### **SANCTIONS FOR FAILURE TO MEET EDGE GOAL AND DEMONSTRATE GOOD FAITH EFFORT**

ODOT will issue sanctions if the contractor chooses not to request a waiver, fails to comply with the contract requirements, and/or fails to demonstrate the necessary good faith effort.

ODOT may impose any of the following sanctions:

- Letter of Reprimand
- liquidated damages computed up to the amount of goal dollars not met
- cross-withhold from future projects
- contract termination
- other remedies available by law including suspension, revocation, and/or debarment

Factors to be considered in issuing sanctions include, but are not limited to:

- the magnitude and the type of offense
- the degree of the contractor's culpability
- any steps taken to rectify the situation
- the contractor's record of performance on other projects including, but not limited to:
  - annual EDGE participation over EDGE goals;
  - annual EDGE participation on projects without goals;
  - number of complaints ODOT has received from EDGE subcontractors/suppliers regarding the contractor; and
  - number of times the contractor has been previously sanctioned by ODOT
- whether the contractor falsified, misrepresented, or withheld information



**BOARD OF COUNTY COMMISSIONERS**  
**WARREN COUNTY, OHIO**  
406 Justice Drive, Lebanon, Ohio 45036  
[www.co.warren.oh.us](http://www.co.warren.oh.us)  
[commissioners@co.warren.oh.us](mailto:commissioners@co.warren.oh.us)

Telephone (513) 695-1250  
Facsimile (513) 695-2054

**SHANNON JONES**  
**DAVID G. YOUNG**  
**TOM GROSSMANN**

**ADVERTISEMENT FOR BIDS**

Sealed bids will be received by the Clerk of the County Commissioners, Warren County, Ohio, 406 Justice Drive, Lebanon, Ohio 45036, until 9:30 a.m., January 23, 2024, and then at said time bids will be opened and read aloud for the Roachester – Cozaddale Road Bridge #52-4.02 Rehabilitation Project.

Bid documents and specifications are available online at the Warren County's Website at <https://www.co.warren.oh.us/commissioners/Bids/Default.aspx>. Questions regarding the technical specifications should be directed to Roy Henson, Bridge Engineer, at the Warren County Engineer's Office, at (513) 695-3310. **Only ODOT prequalified contractors are eligible to submit bids for this Project.** Pre-qualification status must be in force **at the time of bid, at the time of award, and through the life of the construction contract.** For work types that ODOT does not pre-qualify, the LPA must still select a qualified contractor. Subcontractors are not subject to the pre-qualification requirement. The "prime" contractor must perform no less than 30 percent of the total original contract price. Each bid shall contain the full name of each person or company submitting the bid and be accompanied by a bid bond for the full amount of the bid or a certified check in the amount equal to ten (10) percent of the bid.

A Bid guaranty, as required by Ohio Revised Code, Section 153.54, shall accompany each proposal submitted, as follows:

1. A Certified check, cashier's check, or letter of credit equal to ten (10) percent of the bid. A letter of credit may only be revocable by the Owner. Upon entering into a contract with the Owner, the contractor must file a performance bond for the amount of the contract, and the bid guaranty will then be returned to the successful and unsuccessful bidders upon contract execution.

**OR**

2. A form of bid guaranty bond (attached) for the full amount of the bid. Such bond is retained for the successful bidder but returned to unsuccessful bidders after the contract is executed.

Contact the Warren County Commissioner's Office at (513) 695-1250 should you need assistance in accessing the bidding information on the County's website. All contract addenda will be posted to the website prior to the bid opening. Bidders should check the website regularly to stay updated on any changes to the project.

All contractors and subcontractors involved with the project will, to the extent practicable, use Ohio products, materials, services, and labor in the implementation of their project. Additionally, contractors must comply with the Equal Employment Opportunity Requirements of Ohio Administrative Code Chapter 123.

Attention of bidders is called to all of the requirements contained in the bid packet. No bidder may withdraw his/her bid within sixty (60) days after the actual date of opening thereof.

All bids shall be sealed and plainly marked "**Bid Opening – Roachester – Cozaddale Road Bridge #52-4.02 Rehabilitation Project.**"

The Board of Warren County Commissioners reserves the right to accept the lowest and best bid, to reject all bids, and to waive any irregularities in bids.

By order of the Board of County Commissioners, Warren County, Ohio.

---

Tina Osborne, Clerk